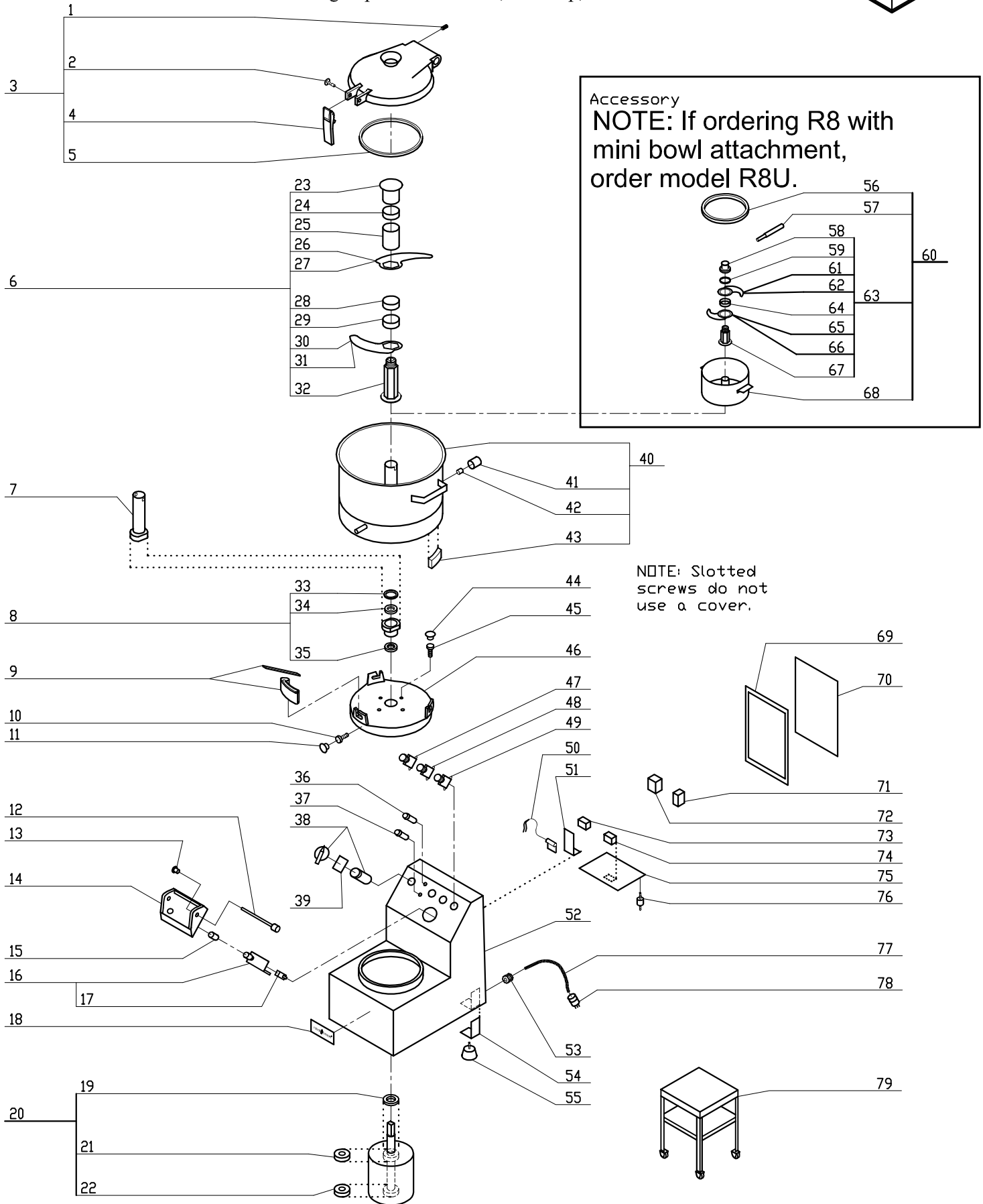
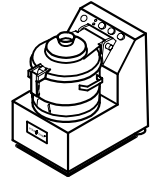


2- Speed, 208-240 Volt, 3 Phase, 60Hz.,  
 Low Speed- 1725 RPM, 8.2 Amp, 2.0 HP.  
 High Speed- 3450 RPM, 8.3 Amp, 3.0 HP.



INDEX	REF.	DESIGNATION	Pricelist in : USD
1	R8U021	Screw & Nut / Lid Switch	
2	R1036A	Screw, Lid Lever	
3	R8U023	*Lid Assembly	
4	R1091B	Lever, Latch Assy Lid R8/R10	
5	R8U022	Lid Seal	
6	R8U017	* Blade Assy	
7	CL689	Tool, Seal Removal	
8	R1027	Seal Assy, Motor Support	
9	R1075	Tool, Blade Locking	
10	R1024	Screw, Motor Support	
11	R1034	Cover, Screw (MS 21MM)	
12	R8U030	Hinge Pin	
13	R1547	Lid Hinge Pin Bushing	
14	R8U029	Lid Hinge	
15	R8U028	Bushing (Mech. Sw)	
16	R2534A	Mechanical Switch Assy.	
17	R114	Switch Only	
18	R8U031	Front Data Plate	
19	R1004	Top Seal, Motor	
20	R8U032	Motor	
21	R662	Bearing, Motor Top	
22	R237	6203 Bearing R2 Top/Btm	
23	R8U012	Blade Locking Nut	
24	R1077	Plastic Spacer (10 cm)	
25	R8U010	45 mm S.S. Spacer	
26	R8U013	Blade Only	
27	R8U013A	Curved Blade, Serrated	
28	R8U009	15 mm S.S. Spacer	
29	R8U009	15 mm S.S. Spacer	
30	R8U013	Blade Only	
31	R8U013A	Curved Blade, Serrated	
32	R8U008	Blade Support	
33	R1029	Shield, Motor Support	
34	R611	Motor Support Seal	
35	R611	Motor Support Seal	
36	R40371TP	Red lamp 220V	
37	R40351TP	Green Lamp 220V	
38	R8U038	Speed Selector Switch	
39	R8U004	Data Plate, Speed Selector	
40	R8U024	*Bowl	
41	R25127	Bowl Magnet Cap	
42	R25126A	Bowl/Magnet	
43	R1049	Bowl Magnet Assy.	
44	R1023	Cover, Screw (16MM)	
45	R8U026.1	(R Motor Support Screw)	
46	R8U026	Motor Support	
47	R3063U	Pulse Push Buttn, Black	
48	R3067U	On Push Button/Green	
49	R3062U	Off Push Button (Red)	
50	R8U034	Magnetic Sw. Assy.	
51	R8U036	Bracket for Magnetic Switch	
52	R8U003	Base	
53	RA490	Strain Relief	
54	R1006	Bracket, Foot	
55	R1005	Foot	
56	R8U070	Lid Seal (Mini-Bowl)	
57	R8U055	Tool, Blade Disassembly	
58	R8U064	Blade Locking Nut (Mini-Bowl)	
59	R8U059	4 MM Spacer (Mini Bowl)	
60	R8U090	*Mini Bowl Assy	
61	R8U058	Blade Only (Mini Bowl)	
62	R8U058E	Blade only (Serrated) Mini Bowl	
63	R8U066	*Blade Assy (Mini Bowl)	

INDEX	REF.	DESIGNATION	Pricelist in : USD
64	R8U062	1.5 cm Spacer (Mini-Bowl)	
65	R8U058	Blade Only (Mini Bowl)	
66	R8U058E	Blade only (Serrated) Mini Bowl	
67	R8U057	Blade Support (Mini-Bowl)	
68	R8U065	* Mini Bowl	
69	R8U033	Back Access Cover Seal	
70	R8U035	Back Access Cover	
71	R1046	Thermal OL(LR2 D1314)(7-10AMP)	
72	R413	Voltage Relay	
73	R1090	Control Relay, Run(DPST)	
74	R1090	Control Relay, Run(DPST)	
75	R8U072	Relay Bracket (9"X4.5")	
76	R1062	Bolts, Shock Absorbing	
77	R403	Cord without Plug	
78	R4904	Plug 3 Phase	
79	R8U071	*Machine Stand 25 1/4 x 33 1/4 x 21 3/16	