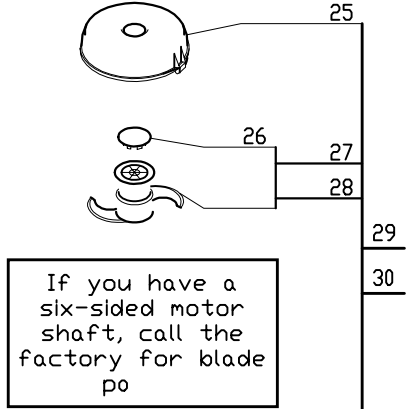
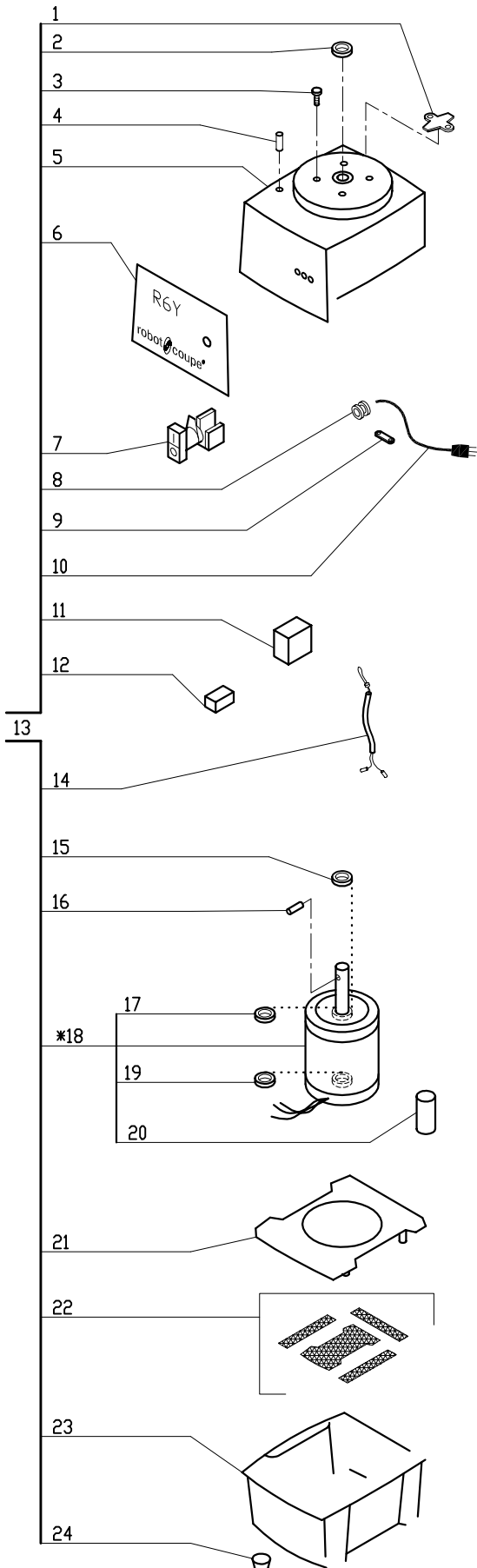
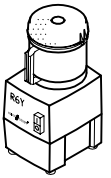


Machines Manufactured before March of 1996

Serial Numbers up to R6Y000687. Also, R6Y000690, R6Y000691, and R6Y000757

1- Speed, 120 Volt, 1 Phase, 60Hz., 1 HP.

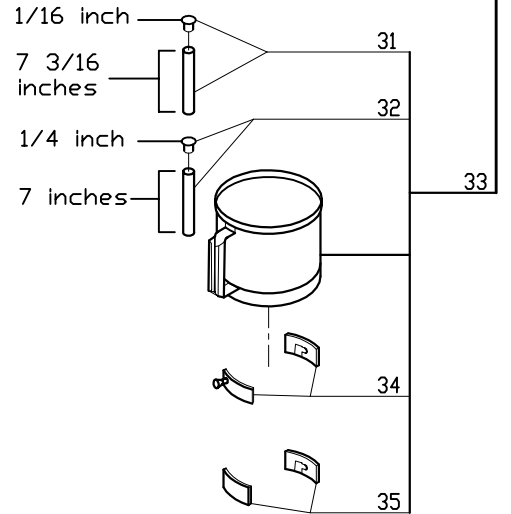
1725 RPM, 12 Amps



If you have a six-sided motor shaft, call the factory for blade po

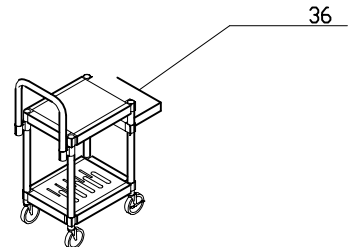
Note: Part number R670 with plastic caps, part number R3070U, is no longer available.

The replacement part number R670, incorporates a metal plug cap.



*Part no longer available

ACCESSORIES



INDEX	REF.	DESIGNATION	Pricelist in : USD
1	R484	Stop Pad	
2	R611	Motor Support Seal	
3	R232	Motor Support Screw	
4	R619A	Switch Support, Mag Sw	
5	R610	Motor Support	
6	R612Y	R6Y Front Data Plate	
7	R3018	On/Off Switch	
8	R496G	Gromet (Elect Cord)	
9	R233	Strain Relief	
10	R496	Cord W/Plug (R4X,S,P,Y)	
11	R694	Contactor R6Y-1	
12	R664S	Relay DPST	
13	R667	Motor Base Assy (R6Y)	
14	C420	Mag Swtch w/Hse (single)	
15	R604S	Seal, Motor	
16	R492A	Shaft Pin (new style)	
17	R662	Bearing, Motor Top	
18	R604Y	Motor (1725 RPM) No longer available	
19	R237	6203 Bearing R2 Top/Btm	
20	R4950	Capacitor (R4S R4Y)	
21	R494	Baffle (R4N R4X R4Y R4S)	
22	R498	Screen Kit (R4N,X,S,Y)	
23	R493F	R4 Base (French)	
24	R402F	Foot (French)	
25	R546	Bowl Lid	
26	R661	Cap, S Blade	
27	R651A	* Smooth Blade Assy	
28	R652A	* Serrated Blade Assy	
29	R644	* R6N Bowl Kit	
30	R644A	* Bowl Kit	
31	R670	Rod, Bowl W/Drive-In Cap	
32	R670A	Bowl Rod w/Press Fit Cap	
33	R645	Bowl	
34	R646A	Bushing Set w Bwl Lock Pin	
35	R646	Lckg Bush Set w/Screws	
36	R199	* Robo-Cart	