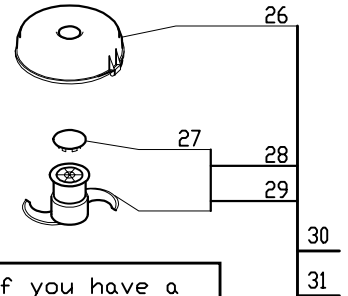
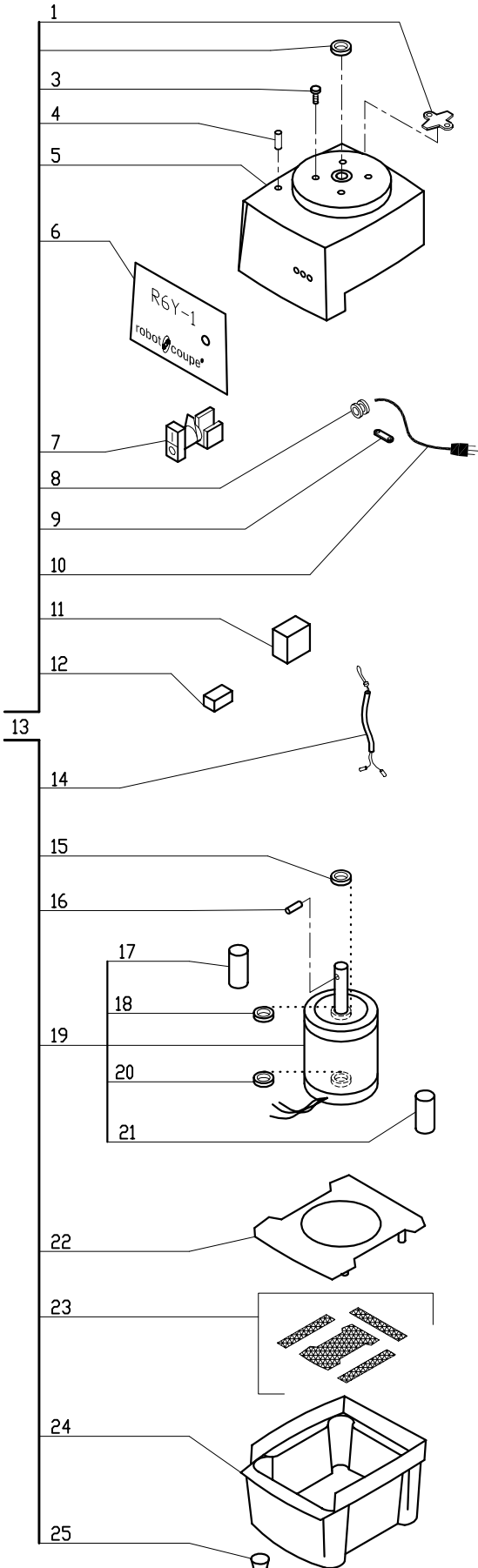
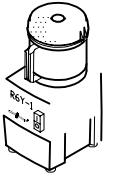


R6Y-1

Machines Manufactured before March of 1996

Serial Numbers up to R6Y000698.

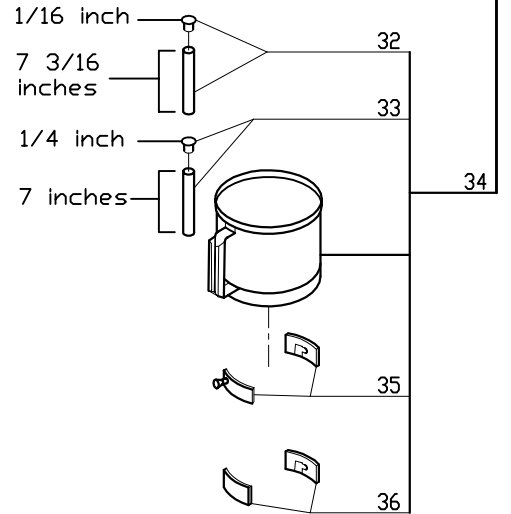
1- Speed, 120 Volt, 1 Phase, 60Hz., 2 HP.
3450 RPM, 12 Amps



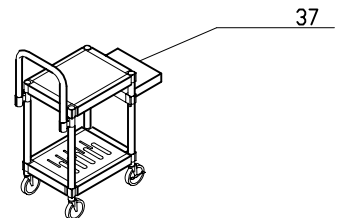
If you have a six-sided motor shaft, call the factory for blade parts.

Note: Part number R670 with plastic caps, part number R3070U, is no longer available.

The replacement part number R670, incorporates a metal plug cap.



ACCESSORIES



INDEX	REF.	DESIGNATION	Pricelist in : USD
1	R484	Stop Pad	
2	R611	Motor Support Seal	
3	R232	Motor Support Screw	
4	R619A	Switch Support, Mag Sw	
5	R610	Motor Support	
6	R612Y-1	Front Data Plate R6Y-1	
7	R3018	On/Off Switch	
8	R496G	Gromet (Elect Cord)	
9	R233	Strain Relief	
10	R496	Cord W/Plug (R4X,S,P,Y)	
11	R694	Contactora R6Y-1	
12	R664S	Relay DPST	
13	R667A	R6Y-1 Motor Base Assy	
14	C420	Mag Swtch w/Hse (single)	
15	R604S	Seal, Motor	
16	R492A	Shaft Pin (new style)	
17	R608	Run Capacitor (25uf,370V)	
18	R662	Bearing, Motor Top	
19	R604B	R6Y-1 Motor	
20	R237	6203 Bearing R2 Top/Btm	
21	R4950	Capacitor (R4S R4Y)	
22	R494	Baffle (R4N R4X R4Y R4S)	
23	R498	Screen Kit (R4N,X,S,Y)	
24	R493F	R4 Base (French)	
25	R402F	Foot (French)	
26	R546	Bowl Lid	
27	R661	Cap, S Blade	
28	R651A	* Smooth Blade Assy	
29	R652A	* Serrated Blade Assy	
30	R644	* R6N Bowl Kit	
31	R644A	* Bowl Kit	
32	R670	Rod, Bowl W/Drive-In Cap	
33	R670A	Bowl Rod w/Press Fit Cap	
34	R645	Bowl	
35	R646A	Bushing Set w Bwl Lock Pin	
36	R646	Lckg Bush Set w/Screws	
37	R199	* Robo-Cart	