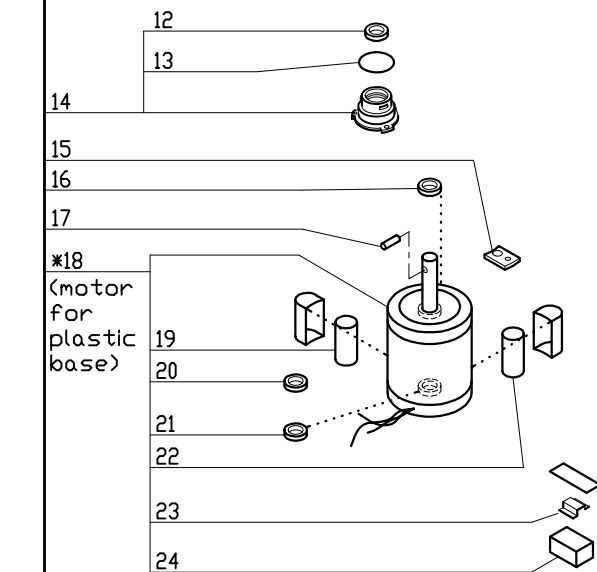
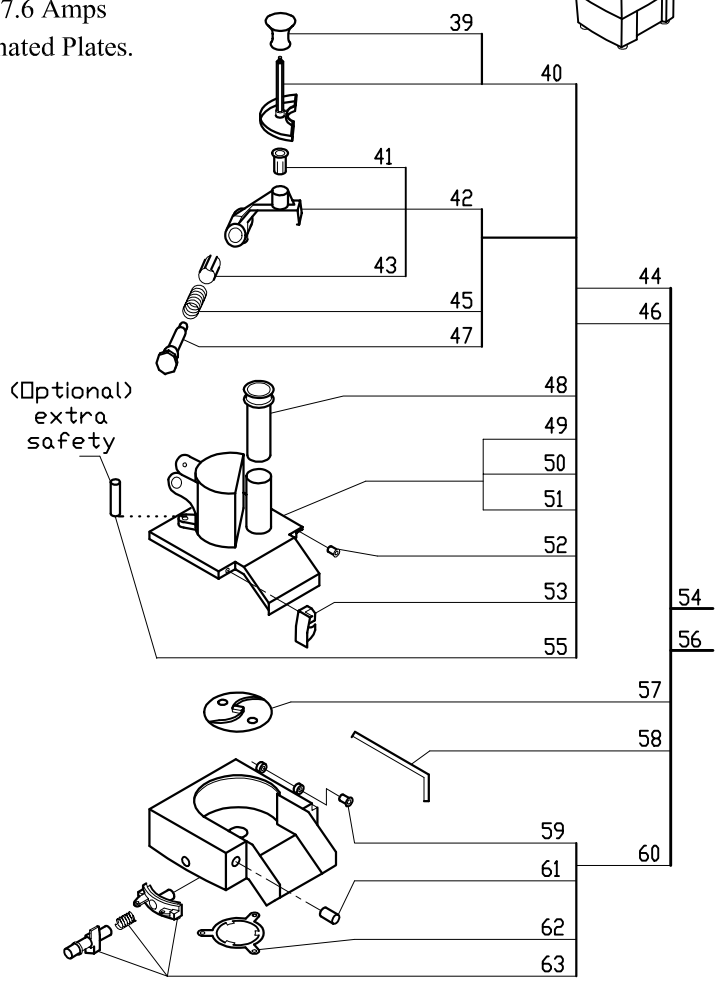
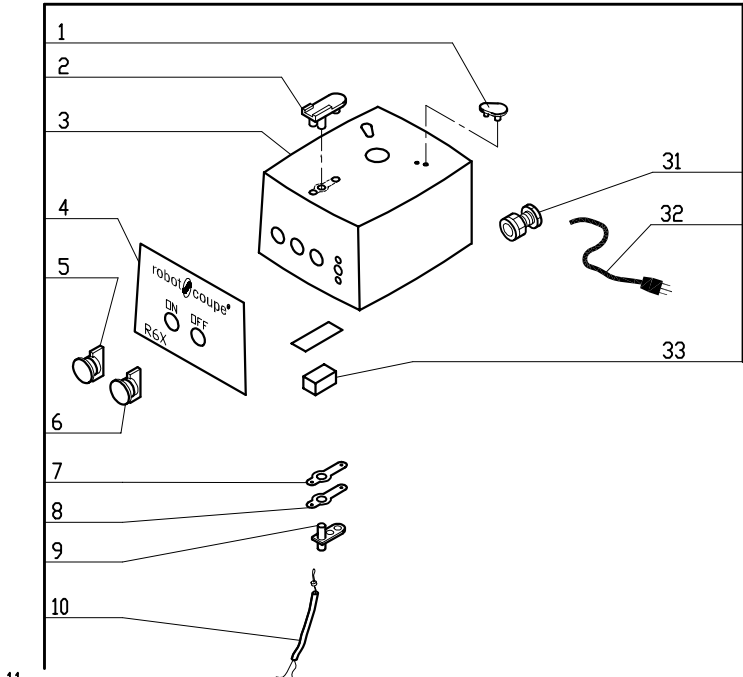
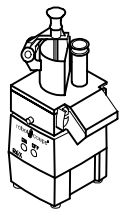
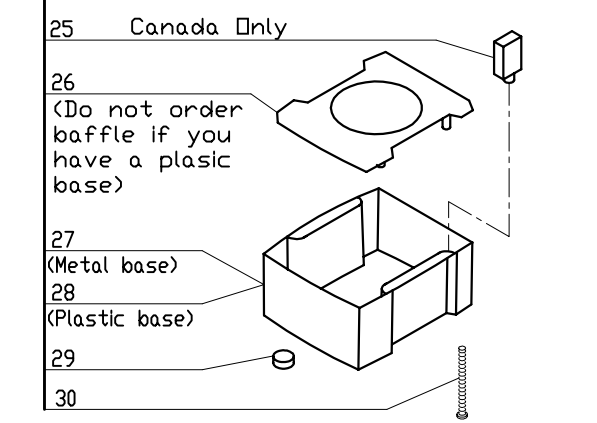
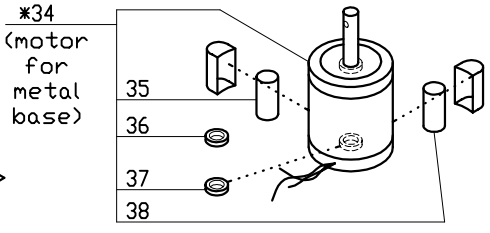


R6X Series A

Series A, Serial Numbers R6XXXXXXA
 1- Speed, 120 Volt, 1 Phase, 60Hz., 1 HP.
 850 RPM, 7.6 Amps
 Use C Designated Plates.



* RA604E Motor is no longer available. Order number SI94565, R611, 117770, 29620, and four BX658 screws.



ACCESSORIES

NOTE: Use "C" designated plates.

** No longer available **67

| INDEX | REF. | DESIGNATION | Pricelist in : USD |
|-------|-----------|-------------------------------|--------------------|
| 1 | RA443 | Pad,Rear | |
| 2 | RA441 | Support/Pad,Front | |
| 3 | RA406 | Motor Support | |
| 4 | RA612X | Front Data Plate (R6X) | |
| 5 | RA418 | Green "On" Switch Assy | |
| 6 | RA419 | Red "Stop" Switch Assy | |
| 7 | RA441.1 | Gasket | |
| 8 | RA441.2 | Metal Plate | |
| 9 | RA442 | Support,Magnetic Switch | |
| 10 | C420 | Mag Swtch w/Hse (single) | |
| 11 | RA698 | R6X Motor Base Assy | |
| 12 | R611 | Motor Support Seal | |
| 13 | RA489 | O Ring, Seal Support | |
| 14 | RA467 | Seal Assembly (Seal Support) | |
| 15 | RA455 | Plate, Motor Mounting | |
| 16 | R604S | Seal, Motor | |
| 17 | R492A | Shaft Pin (new style) | |
| 18 | S194565 | (D) Motor R4X/R6X Low Profile | |
| 19 | S17586350 | (D) Run Cap R4X/R6X | |
| 20 | R662 | Bearing, Motor Top | |
| 21 | R237 | 6203 Bearing R2 Top/Btm | |
| 22 | S16213632 | (D) Start Cap. R4X/R6X | |
| 23 | 117770 | (D) Din Rail 2"L, R4/R6 'D' | |
| 24 | S18388701 | (D) Electronic Switch R4X/R6X | |
| 25 | RA911 | Circuit Breaker/R4X/10A | |
| 26 | RA494 | Baffle | |
| 27 | RA493 | Base | |
| 28 | 29620 | (E) Plastic Base, Low Profile | |
| 29 | RA402 | Foot | |
| 30 | BX658 | Base Bolt W/Washer | |
| 31 | RA490 | Strain Relief | |
| 32 | R496 | Cord W/Plug (R4X,S,P,Y) | |
| 33 | R664S | Relay DPST | |
| 34 | RA604E | No longer available | |
| 35 | R4907 | Run Capacitor R4X | |
| 36 | R662 | Bearing, Motor Top | |
| 37 | R237 | 6203 Bearing R2 Top/Btm | |
| 38 | R4906 | Start Capacitor R4X Mtr | |
| 39 | CL569 | Pusher Knob | |
| 40 | CL576 | Large Pusher Assembly | |
| 41 | CL588 | Insert, Plastic | |
| 42 | R639M | Hinged Bracket Assy, 2 Mag | |
| 43 | CL594 | Sleeve, Plastic | |
| 44 | R696 | Cont. Feed Lead Assy. | |
| 45 | CL581 | Spring | |
| 46 | R696M | Cont Feed Lead Assy(Mag) | |
| 47 | CL580 | Pusher Hinge Pin | |
| 48 | CL585 | Small Pusher (167MM) | |
| 49 | R636 | Cont Feed Lead | |
| 50 | R636M | Cont Feed Lead w/Magnet | |
| 51 | CL574M | Cont Feed Lead w/Mgt Rod | |
| 52 | CL523 | Hinge Pin Bushing | |
| 53 | CL586A | Latch, upper & lower | |
| 54 | RA697 | * Cont Feed Kit | |
| 55 | CL593 | Rod, Mag Flux CF Lead | |
| 56 | RA697M | *Cont Feed Kit W/Extra Safety | |
| 57 | CL572 | Discharge Plate | |
| 58 | CL520 | Hinge Pin | |
| 59 | CL523 | Hinge Pin Bushing | |
| 60 | RA623 | Continuous Feed Attachment | |
| 61 | CL573 | Stud Bolt, Latch | |
| 62 | RA414 | Locking Collar | |
| 63 | RA4901 | Locking Pin Assy | |

| INDEX | REF. | DESIGNATION | Pricelist in : USD |
|----------------------------|---------------------------------------|--|--------------------|
| 64 65 66 67 68 | R199 R255 R475 R476 CL575 | * Robo-Cart * Plate Rack * Plate Rack (Individual) No Longer Available * Plate Rack (wall mount) | |