

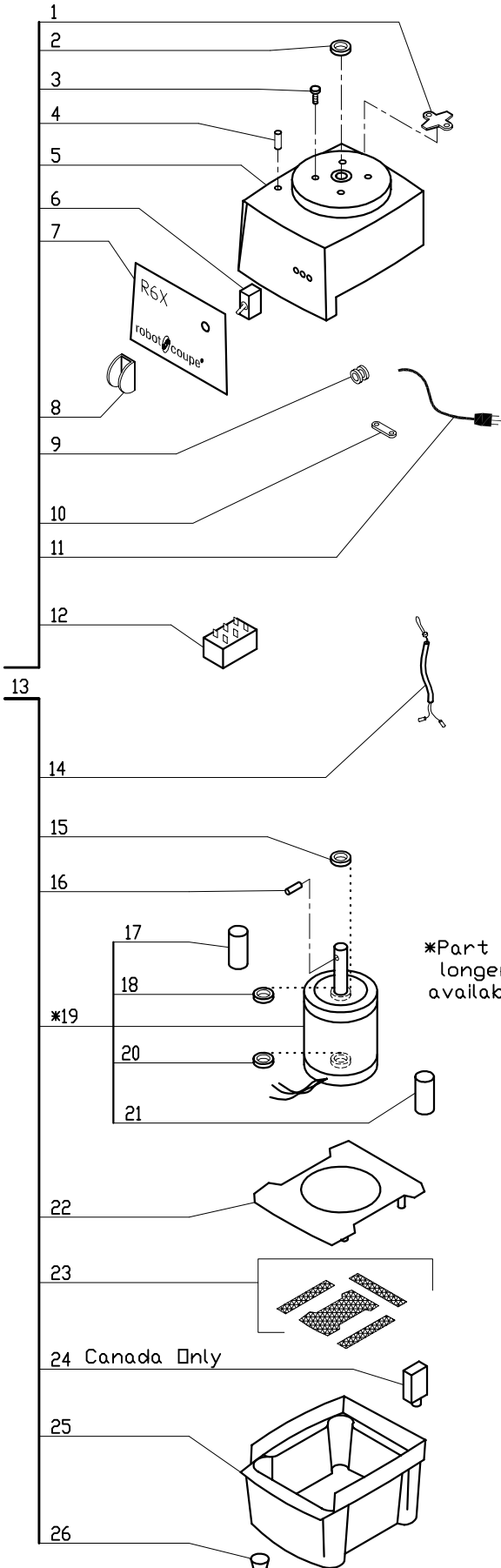
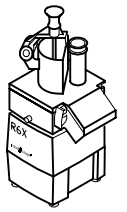
Machines Manufactured before March of 1996

Serial Numbers up to R6X001436. Also, R6X001528 to R6X001537

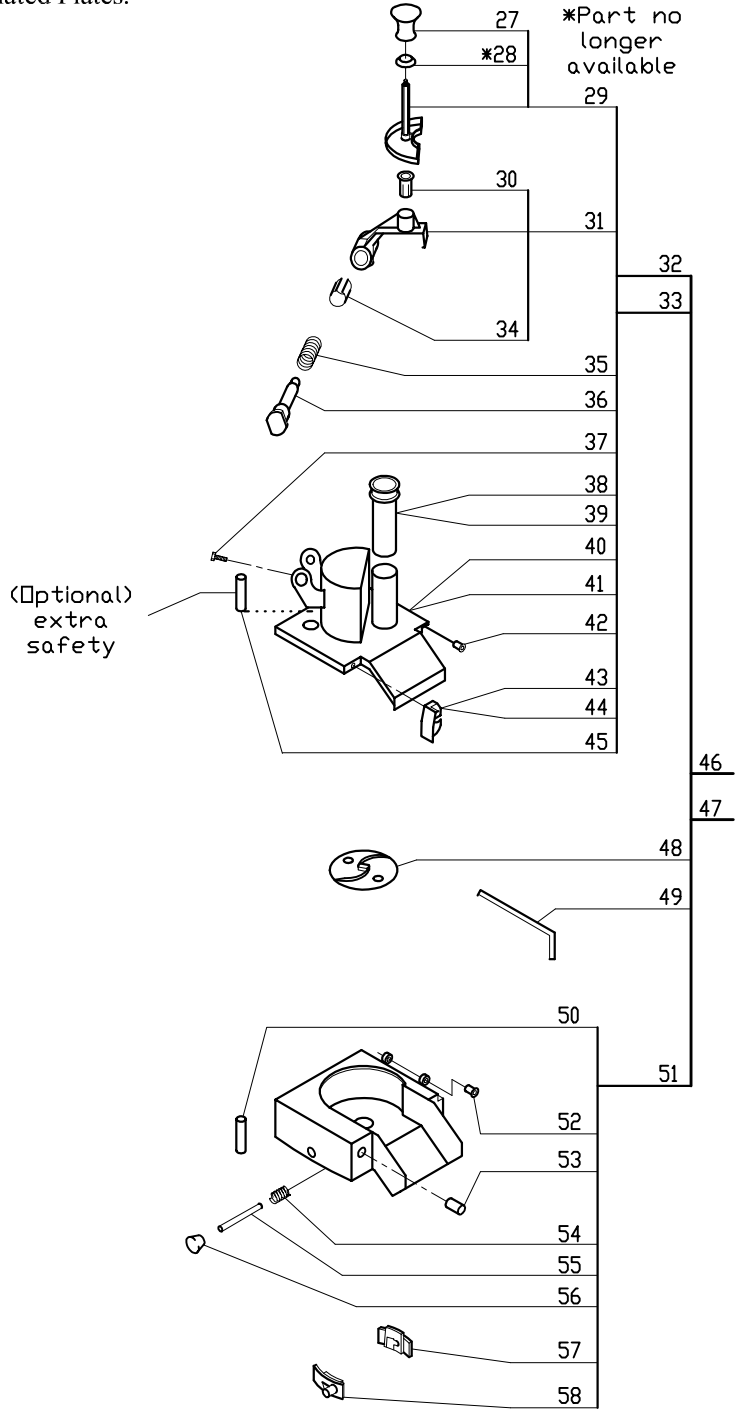
1- Speed, 120 Volt, 1 Phase, 60Hz., 1/2 HP.

850 RPM, 8 Amps

Use C Designated Plates.



*Part no longer available



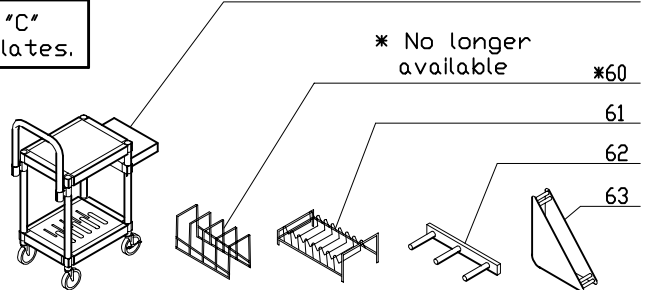
(Optional) extra safety

*Part no longer available

ACCESSORIES

NOTE: Use "C" designated plates.

* No longer available



INDEX	REF.	DESIGNATION	Pricelist in : USD
1	R484	Stop Pad	
2	R611	Motor Support Seal	
3	R232	Motor Support Screw	
4	R619A	Switch Support, Mag Sw	
5	R610X	Description NA	
6	R4903	On/Off Toggle Switch	
7	R612X	Front Data Plate (R6X)	
8	R469	Switch Guard (R4X)	
9	R496G	Gromet (Elect Cord)	
10	R233	Strain Relief	
11	R496	Cord W/Plug (R4X,S,P,Y)	
12	C419	Relay for Switch	
13	R698	Motor Base Assy (R6X)	
14	C420	Mag Swtch w/Hse (single)	
15	R604S	Seal, Motor	
16	R492A	Shaft Pin (new style)	
17	R4907	Run Capacitor R4X	
18	R662	Bearing, Motor Top	
19	R604X	Motor (R6X) No longer available	
20	R237	6203 Bearing R2 Top/Btm	
21	R4906	Start Capacitor R4X Mtr	
22	R494	Baffle (R4N R4X R4Y R4S)	
23	R498	Screen Kit (R4N,X,S,Y)	
24	R4911	Circuit Breaker/R4X/10A	
25	R493F	R4 Base (French)	
26	R402F	Foot (French)	
27	CL569	Pusher Knob	
28	CL579	No longer available	
29	CL576	Large Pusher Assembly	
30	CL588	Insert, Plastic	
31	R639M	Hinged Bracket Assy, 2 Mag	
32	R696	Cont. Feed Lead Assy.	
33	R696M	Cont Feed Lead Assy(Mag)	
34	CL594	Sleeve, Plastic	
35	CL581	Spring	
36	CL580	Pusher Hinge Pin	
37	CL571	Screw	
38	CL585	Small Pusher (167MM)	
39	CL585A	Small Pusher(145MM)	
40	CL574M	Cont Feed Lead w/Mgt Rod	
41	R636	Cont Feed Lead	
42	CL523	Hinge Pin Bushing	
43	CL586	Latch Assy U/L Plastic	
44	CL586A	Latch, upper & lower	
45	CL593	Rod, Mag Flux CF Lead	
46	R697	* Continuous Feed Kit	
47	R697M	* Cont Feed Kit w/Mag & Rod	
48	CL572	Discharge Plate	
49	CL520	Hinge Pin	
50	CL593	Rod, Mag Flux CF Lead	
51	R623	Cont Feed Attachment	
52	CL523	Hinge Pin Bushing	
53	CL573	Stud Bolt, Latch	
54	R257	Spring for Pin Assembly	
55	R632	Pin, Locking	
56	C4912	Locking Pin Knob	
57	C499	Feed Attachment Bushing	
58	C498	Feed Atchmnt Pin Bushing	
59	R199	* Robo-Cart	
60	R476	No Longer Available	
61	R255	* Plate Rack	
62	CL575	* Plate Rack (wall mount)	
63	R475	* Plate Rack (Individual)	