

Machines Manufactured before March of 1996

Serial Numbers up to R6V001328 Also,

RV001351 to R6V001359

R6V001361 to R6V001370

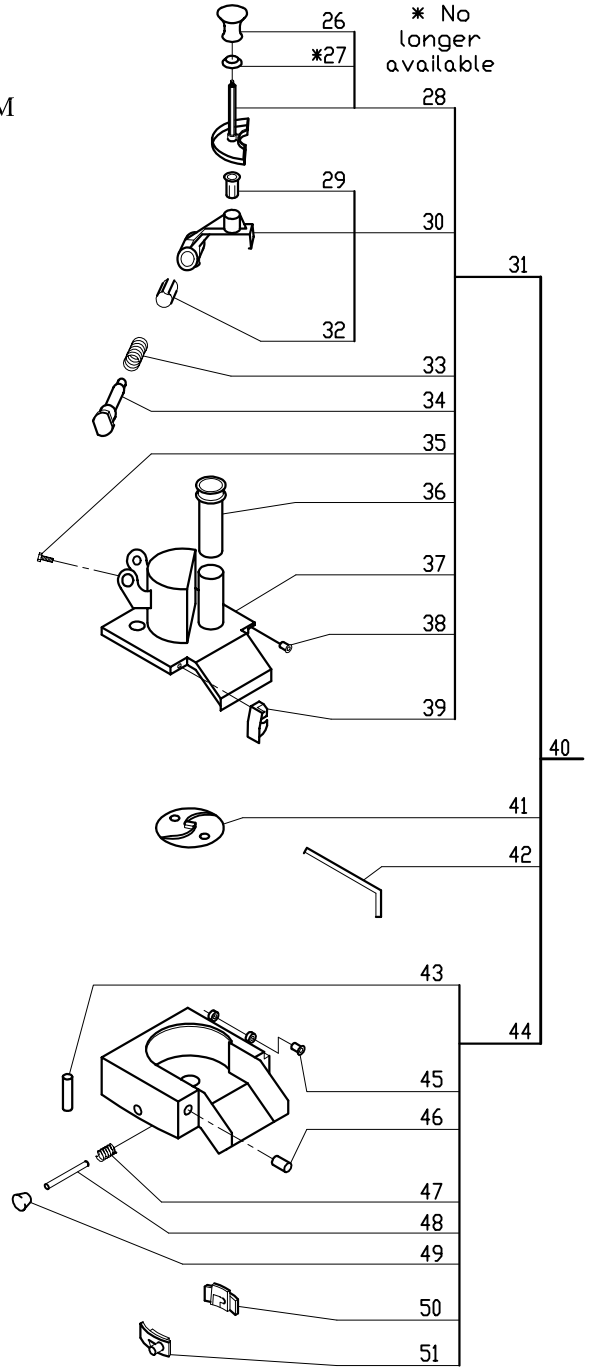
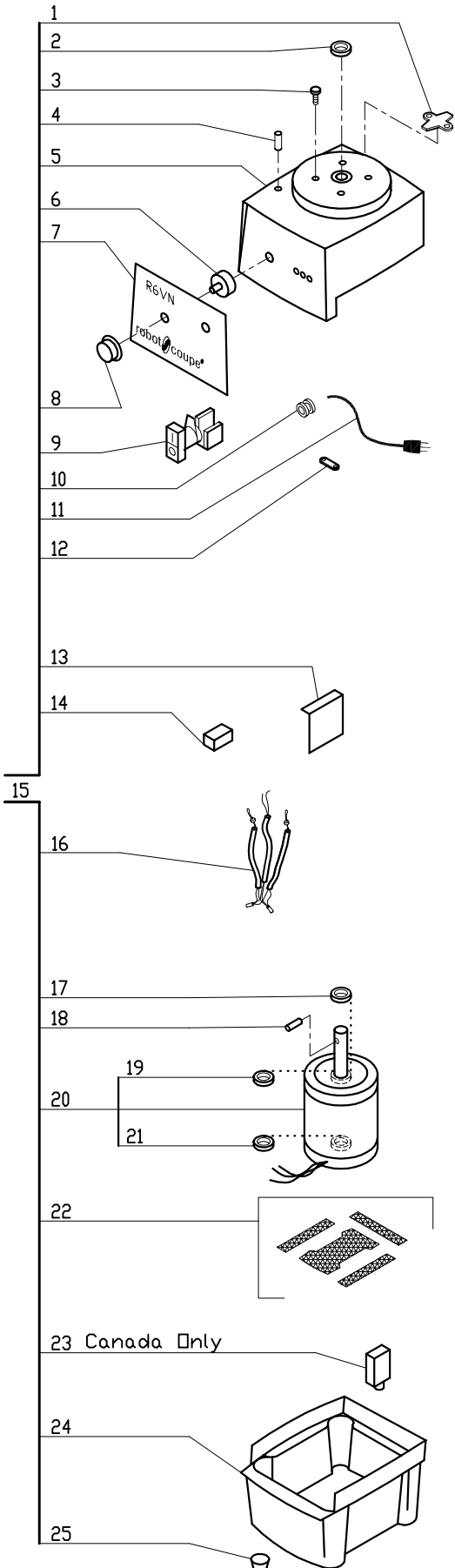
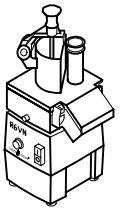
R6V001386 to R6V001395

R6V001534 to R6V001545

120 Volt, 1 Phase, 60Hz.

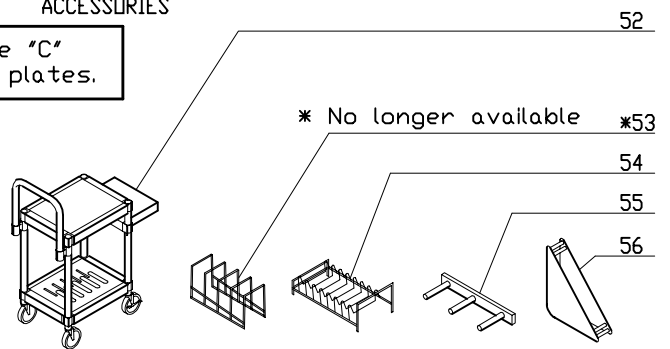
Variable Speed-370-3450 RPM

Use C Designated Plates.



ACCESSORIES

NOTE: Use "C" designated plates.



INDEX	REF.	DESIGNATION	Pricelist in : USD
1	R484	Stop Pad	
2	R611	Motor Support Seal	
3	R232	Motor Support Screw	
4	RV613	Shield	
5	R610	Motor Support	
6	RV6043	Speed Control Pot.	
7	RV612	Front Data Plate - R6VN	
8	RV614	Switch Knob	
9	R3018	On/Off Switch	
10	R496G	Gromet (Elect Cord)	
11	R496	Cord W/Plug (R4X,S,P,Y)	
12	R233	Strain Relief	
13	RV6041	PC Board W/Switch	
14	R664S	Relay DPST	
15	RV699	No Longer Available	
16	C420P	Mag Swtch w/Hse (2 prl)	
17	R604S	Seal, Motor	
18	R492A	Shaft Pin (new style)	
19	R662	Bearing, Motor Top	
20	RV604	Motor Only (Old Style R6VN)	
21	R1540	Bearing (6206)	
22	R498	Screen Kit (R4N,X,S,Y)	
23	RB497	15amp Breaker (CSA)	
24	R493F	R4 Base (French)	
25	R402F	Foot (French)	
26	CL569	Pusher Knob	
27	CL579	No longer available	
28	CL576	Large Pusher Assembly	
29	CL588	Insert, Plastic	
30	R639M	Hinged Bracket Assy, 2 Mag	
31	R696	Cont. Feed Lead Assy.	
32	CL594	Sleeve, Plastic	
33	CL581	Spring	
34	CL580	Pusher Hinge Pin	
35	CL571	Screw	
36	CL585A	Small Pusher(145MM)	
37	R636	Cont Feed Lead	
38	CL523	Hinge Pin Bushing	
39	CL586A	Latch, upper & lower	
40	R697	* Continuous Feed Kit	
41	CL572	Discharge Plate	
42	CL520	Hinge Pin	
43	R693	Rod, Mag Flux CF Atch	
44	R623	Cont Feed Attachment	
45	CL523	Hinge Pin Bushing	
46	CL573	Stud Bolt, Latch	
47	R257	Spring for Pin Assembly	
48	R632	Pin, Locking	
49	C4912	Locking Pin Knob	
50	C499	Feed Attachment Bushing	
51	C498	Feed Atchmnt Pin Bushing	
52	R199	* Robo-Cart	
53	R476	No Longer Available	
54	R255	* Plate Rack	
55	CL575	* Plate Rack (wall mount)	
56	R475	* Plate Rack (Individual)	