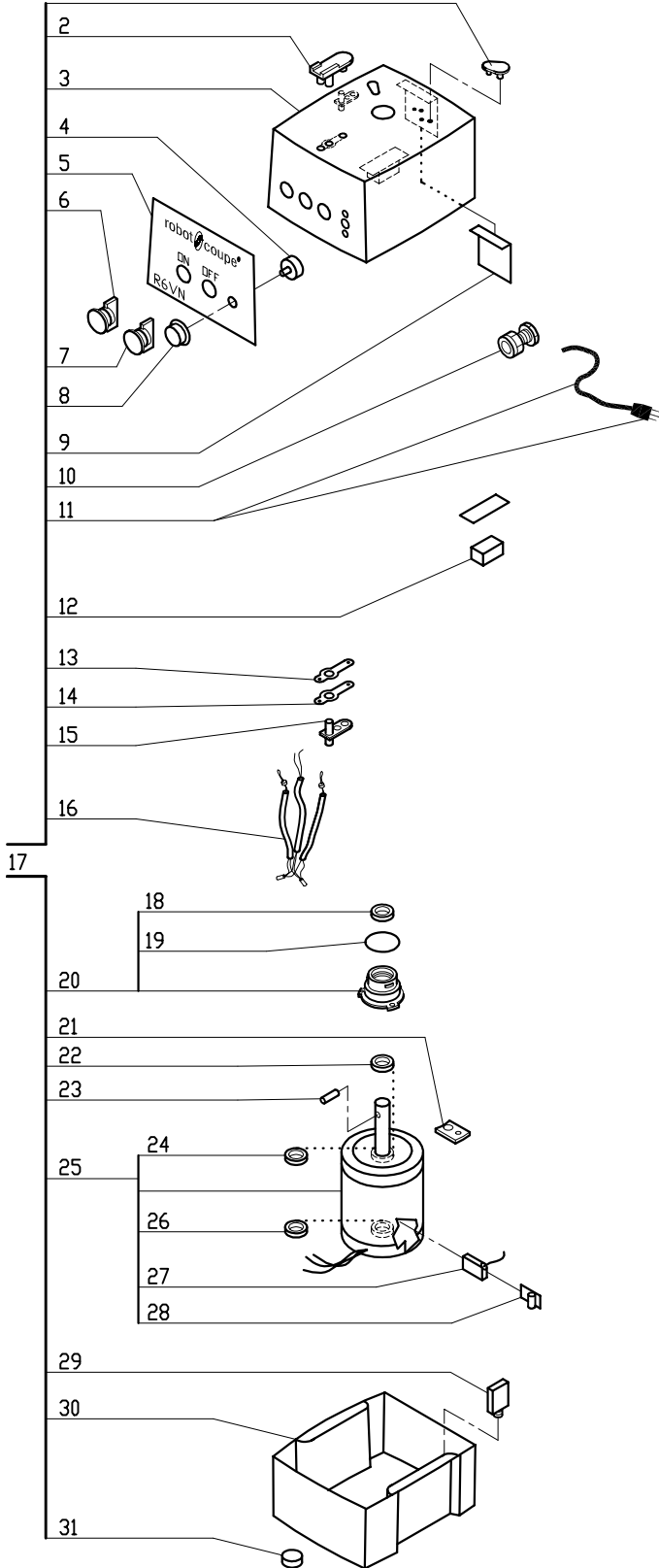
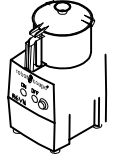
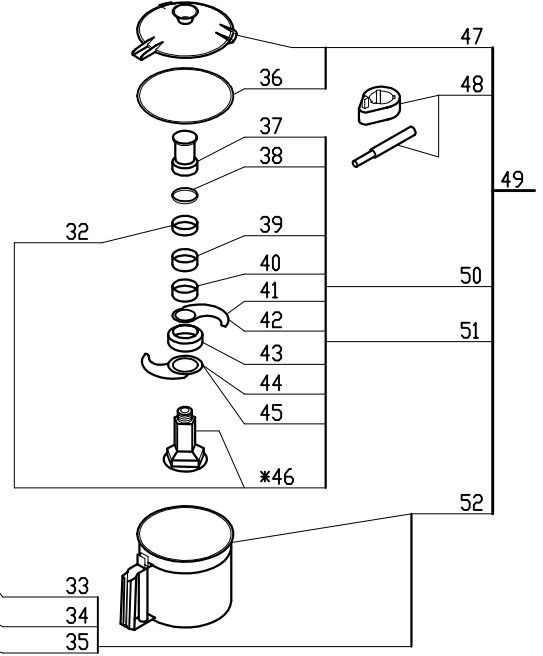


# R6VB Series A

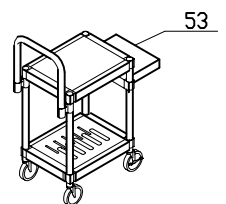
Series A, Serial Numbers R6VNxxxxxA  
 Variable- Speed, 120 Volt, 1 Phase, 60Hz., 1 HP.  
 370-3450 RPM, 12 Amps  
 Use C Designated Plates.



\*102071 includes 103903 which is used if replacing the older versions of the blade support.



## ACCESSORIES



INDEX	REF.	DESIGNATION	Pricelist in : USD
1	RA443	Pad,Rear	
2	RA441	Support/Pad,Front	
3	RA406	Motor Support	
4	RV6043	Speed Control Pot.	
5	RVA612	Front Data Plate (R6VN)	
6	RA418	Green "On" Switch Assy	
7	RA419	Red "Stop" Switch Assy	
8	RV614	Switch Knob	
9	RV6041	PC Board W/Switch	
10	RA490	Strain Relief	
11	R496	Cord W/Plug (R4X,S,P,Y)	
12	R664S	Relay DPST	
13	RA441.1	Gasket	
14	RA441.2	Metal Plate	
15	RA442	Support,Magnetic Switch	
16	C420P	Mag Swtch w/Hse (2 prl)	
17	RVA699	R6VN Motor Base Assy	
18	R611	Motor Support Seal	
19	RA489	O Ring, Seal Support	
20	RA467	Seal Assembly (Seal Support)	
21	RA455	Plate, Motor Mounting	
22	R604S	Seal, Motor	
23	RA92A	Shaft Pin (new style)	
24	R662	Bearing, Motor Top	
25	RVA604	Motor Only (New Style R6VN)	
26	R1540	Bearing (6206)	
27	RVA604.2	Brush	
28	RVA604.3	Spring, Brush	
29	RB497	15amp Breaker (CSA)	
30	RA493	Base	
31	RA402	Foot	
32	103903	(D) 10mm S.S. Spacer (R6N)	
33	RA645.2	Pin, Bowl	
34	RA424.3	Spring, Bowl Pin	
35	RA424.4	Nut For Bowl Pin	
36	RA451	Seal,Lid	
37	RA653	Blade Locking Nut	
38	RA657	Plastic Spacer(5mm)	
39	RA654	SS Spacer(15mm)	
40	RA654	SS Spacer(15mm)	
41	RA655	Top Blade (Straight)	
42	RA656	Top Blade(Serrated)	
43	RA617	Spacer,Blade	
44	RA658	Bottom Blade (Straight)	
45	RA659	Bottom Blade(Serrated)	
46	102071	(D) Blade Support	
47	RA420	Lid	
48	RA616	Blade Tool Assy.	
49	RA644	* Bowl Kit	
50	RA651	*Smooth Blade Assembly	
51	RA651A	*Serrated Blade Assy	
52	RA645	Bowl	
53	R199	* Robo-Cart	