

# R6VB

Machines Manufactured before March of 1996

Serial Numbers up to R6V001328 Also,

RV001351 to R6V001359

R6V001361 to R6V001370

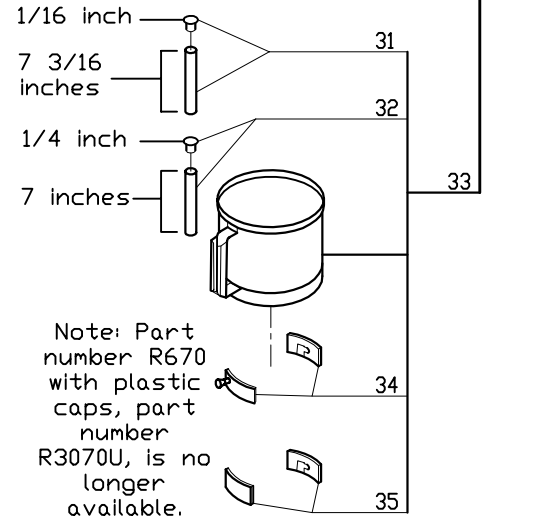
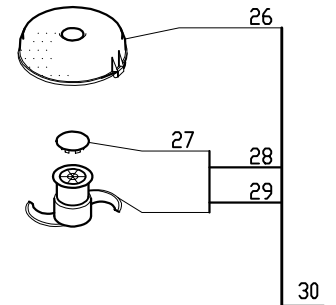
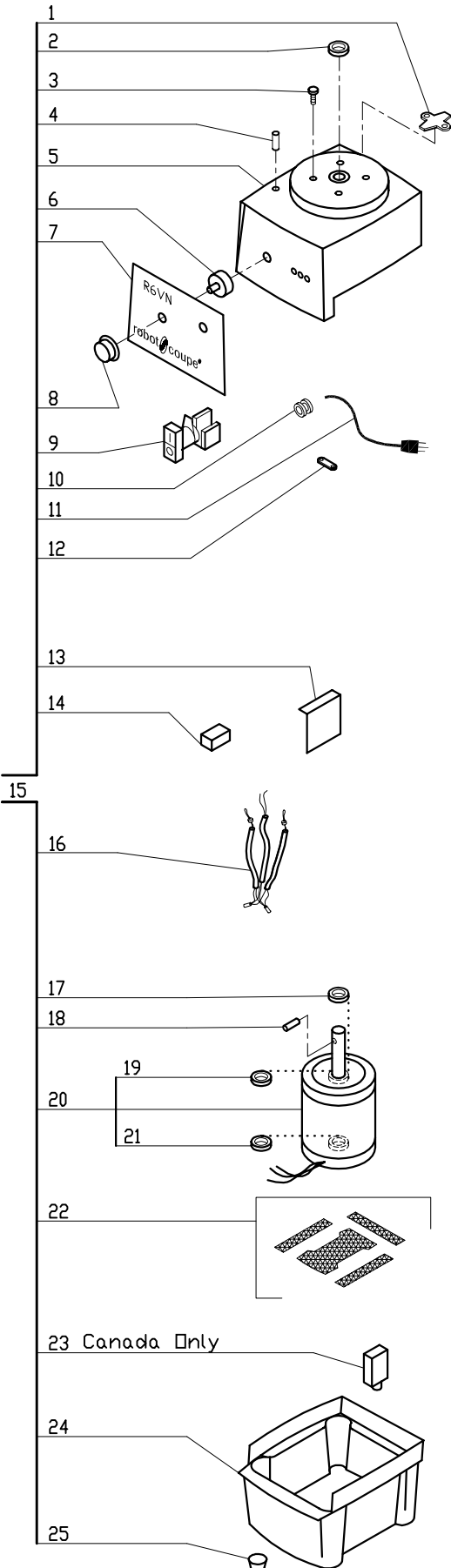
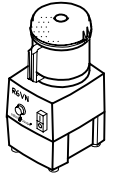
R6V001386 to R6V001395

R6V001534 to R6V001545

120 Volt, 1 Phase, 60Hz.

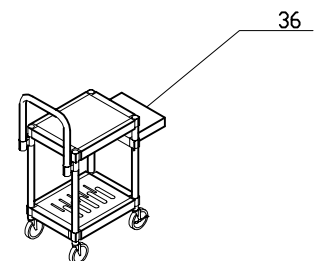
Variable Speed-370-3450 RPM

Use **R** Designated Plates.



The replacement part number R670, incorporates a metal plug cap.

## ACCESSORIES



INDEX	REF.	DESIGNATION	Pricelist in : USD
1	R484	Stop Pad	
2	R611	Motor Support Seal	
3	R232	Motor Support Screw	
4	RV613	Shield	
5	R610	Motor Support	
6	RV6043	Speed Control Pot.	
7	RV612	Front Data Plate - R6VN	
8	RV614	Switch Knob	
9	R3018	On/Off Switch	
10	R496G	Gromet (Elect Cord)	
11	R496	Cord W/Plug (R4X,S,P,Y)	
12	R233	Strain Relief	
13	RV6041	PC Board W/Switch	
14	R664S	Relay DPST	
15	RV699	No Longer Available	
16	C420P	Mag Switch w/Hse (2 prl)	
17	R604S	Seal, Motor	
18	R492A	Shaft Pin (new style)	
19	R662	Bearing, Motor Top	
20	RV604	Motor Only (Old Style R6VN)	
21	R1540	Bearing (6206)	
22	R498	Screen Kit (R4N,X,S,Y)	
23	RB497	15amp Breaker (CSA)	
24	R493F	R4 Base (French)	
25	R402F	Foot (French)	
26	R546	Bowl Lid	
27	R661	Cap, S Blade	
28	R651A	* Smooth Blade Assy	
29	R652A	* Serrated Blade Assy	
30	R644A	* Bowl Kit	
31	R670	Rod, Bowl W/Drive-In Cap	
32	R670A	Bowl Rod w/Press Fit Cap	
33	R645	Bowl	
34	R646A	Bushing Set w Bwl Lock Pin	
35	R646	Lckg Bush Set w/Screws	
36	R199	* Robo-Cart	