

Machines Manufactured before March of 1996

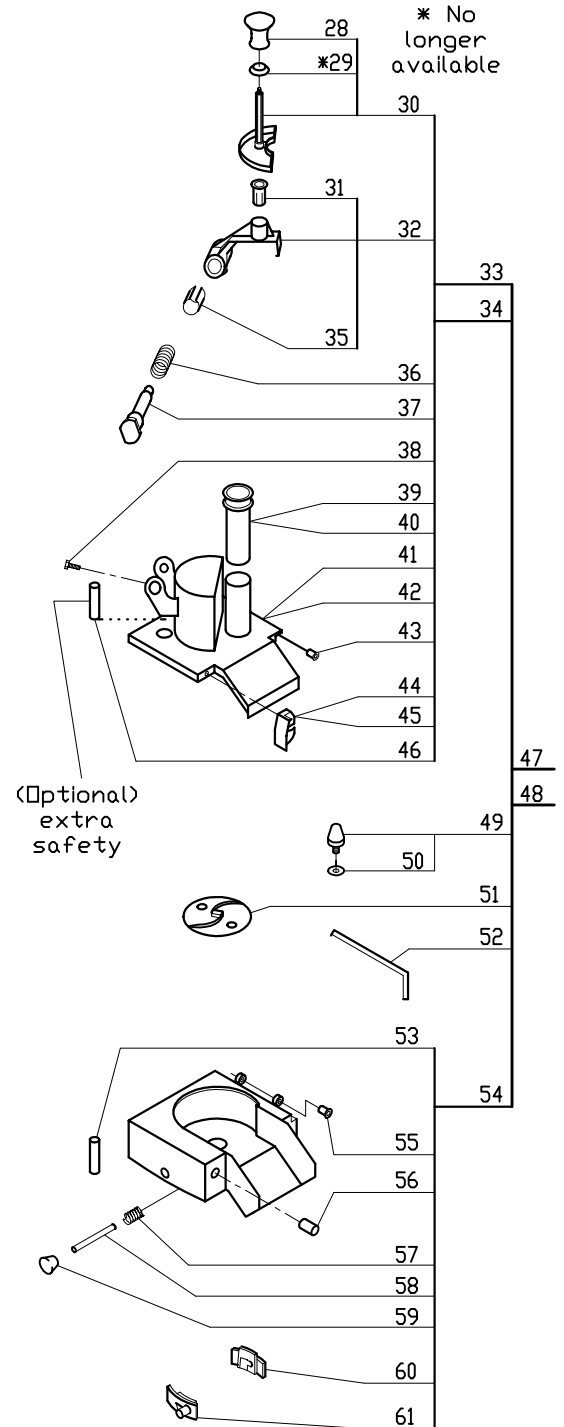
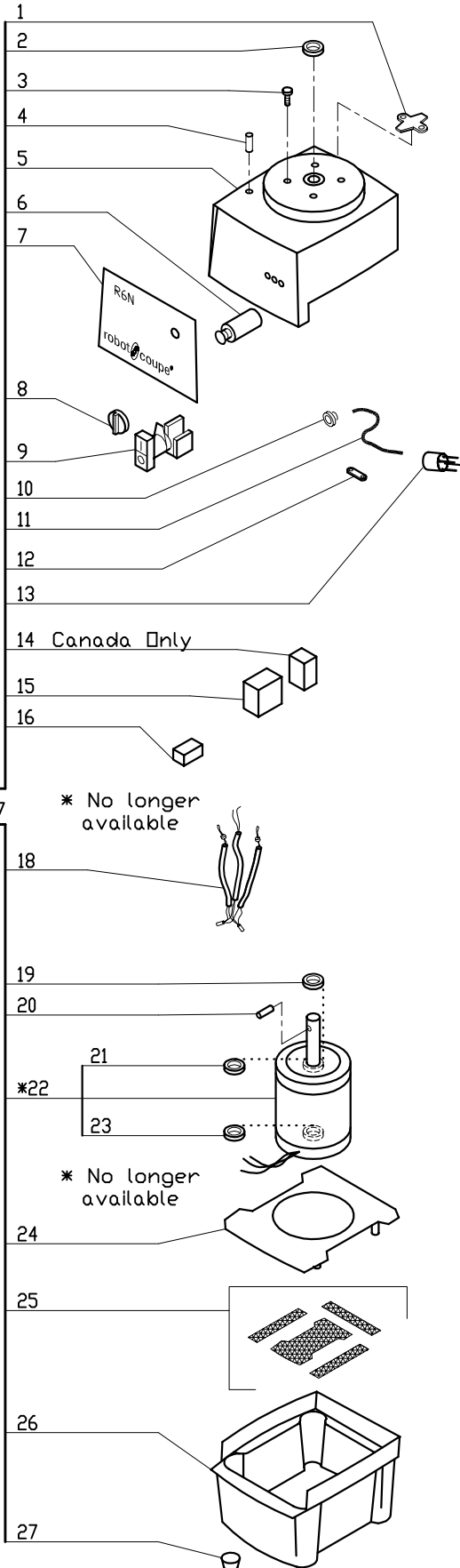
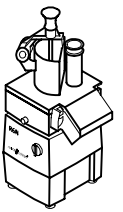
Serial Numbers up to R6N002727N also R6N002767N to R6N002768N

2-Speed, 208-240 Volt, 3 Phase, 60Hz., 1 HP.

Low Speed-850 RPM, 2.6 Amps

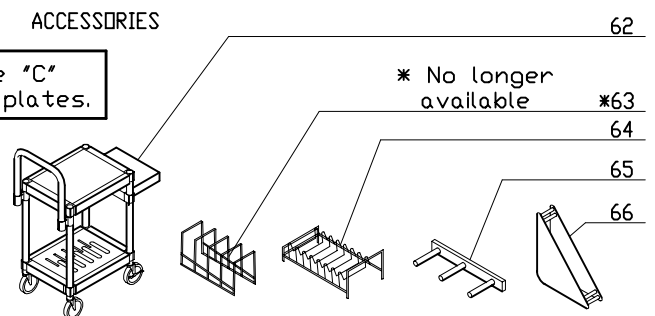
High Speed-1725 RPM, 2.8 Amps

Use C Designated Plates.



ACCESSORIES

NOTE: Use "C" designated plates.



INDEX	REF.	DESIGNATION	Pricelist in : USD
1	R484	Stop Pad	
2	R611	Motor Support Seal	
3	R232	Motor Support Screw	
4	R619A	Switch Support, Mag Sw	
5	R610	Motor Support	
6	R415	Two (2) Speed Switch	
7	R612N	Front Data Plate (R6N)	
8	R416F	Switch Knob	
9	R3018	On/Off Switch	
10	R496G	Gromet (Elect Cord)	
11	R403	Cord without Plug	
12	R233	Strain Relief	
13	R4904	Plug 3 Phase	
14	R413TR	CSA Thermal Relay/R4N	
15	R413	Voltage Relay	
16	R1090	Control Relay, Run(DPST)	
17	R699	No longer available	
18	C420P	Mag Swtch w/Hse (2 prl)	
19	R604S	Seal, Motor	
20	R492A	Shaft Pin (new style)	
21	R662	Bearing, Motor Top	
22	R604N	No longer available	
23	R237	6203 Bearing R2 Top/Btm	
24	R494	Baffle (R4N R4X R4Y R4S)	
25	R498	Screen Kit (R4N,X,S,Y)	
26	R493F	R4 Base (French)	
27	R402F	Foot (French)	
28	CL569	Pusher Knob	
29	CL579	No longer available	
30	CL576	Large Pusher Assembly	
31	CL588	Insert, Plastic	
32	R639M	Hinged Bracket Assy, 2 Mag	
33	R696	Cont. Feed Lead Assy.	
34	R696M	Cont Feed Lead Assy(Mag)	
35	CL594	Sleeve, Plastic	
36	CL581	Spring	
37	CL580	Pusher Hinge Pin	
38	CL571	Screw	
39	CL585	Small Pusher (167MM)	
40	CL585A	Small Pusher(145MM)	
41	CL574M	Cont Feed Lead w/Mgt Rod	
42	R636	Cont Feed Lead	
43	CL523	Hinge Pin Bushing	
44	CL586	Latch Assy U/L Plastic	
45	CL586A	Latch, upper & lower	
46	CL593	Rod, Mag Flux CF Lead	
47	R697	* Continuous Feed Kit	
48	R697M	* Cont Feed Kit w/Mag &Rod	
49	R609	Plate Locking Bolt	
50	R609A	Washer, Plastic	
51	CL572	Discharge Plate	
52	CL520	Hinge Pin	
53	CL593	Rod, Mag Flux CF Lead	
54	R623	Cont Feed Attachment	
55	CL523	Hinge Pin Bushing	
56	CL573	Stud Bolt, Latch	
57	R257	Spring for Pin Assembly	
58	R632	Pin, Locking	
59	C4912	Locking Pin Knob	
60	C499	Feed Attachment Bushing	
61	C498	Feed Atchmnt Pin Bushing	
62	R199	* Robo-Cart	
63	R476	No Longer Available	

INDEX	REF.	DESIGNATION	Pricelist in : USD
64 65 66	R255 CL575 R475	* Plate Rack * Plate Rack (wall mount) * Plate Rack (Individual)	