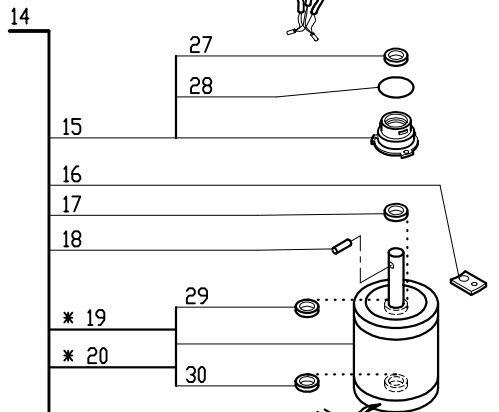
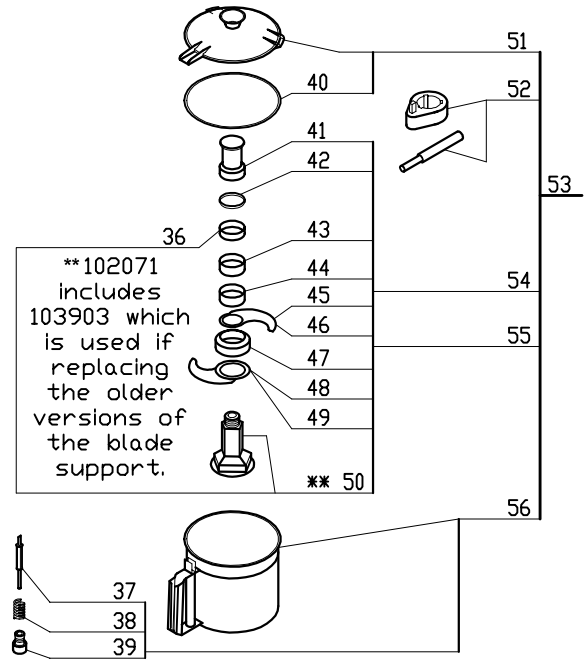
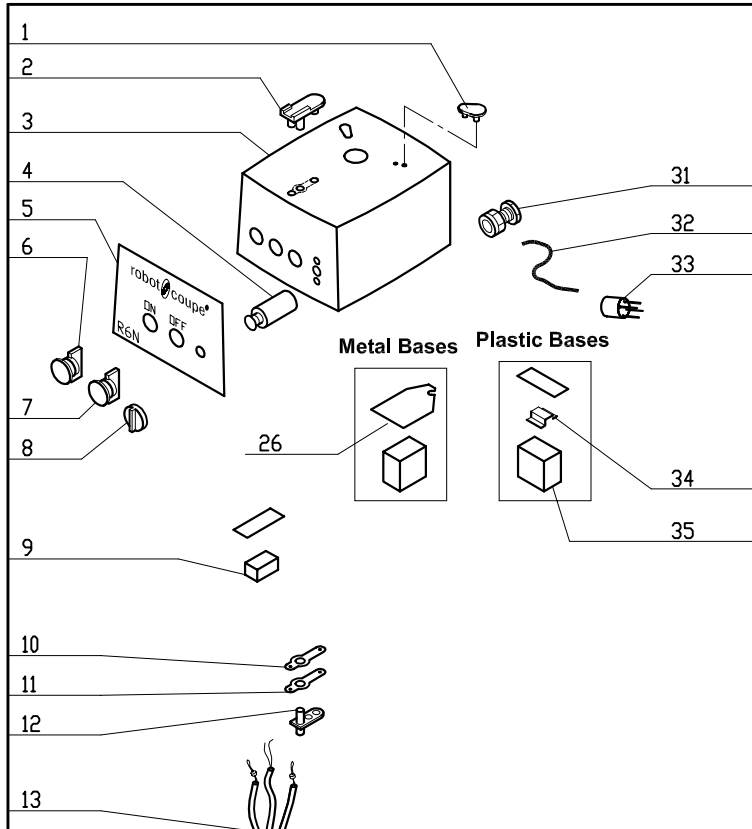
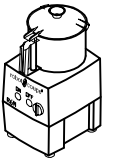
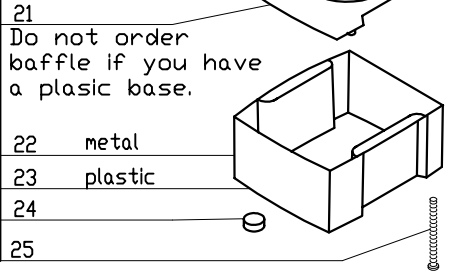


R6B Series A

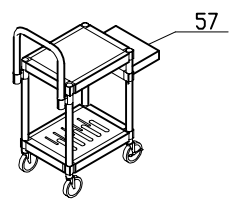
Series A, Serial Numbers R6NxxxxxxA
 2- Speed, 208-240 Volt, 3 Phase, 60Hz., 1 HP.
 Low Speed-850 RPM, 7.6 Amps
 High Speed-1725 RPM, 2.8 Amps
 Use C Designated Plates.



* RA604D old style motor is no longer available.
 Order S193379, 29620, R611, 117770, and four BX658 screws.



ACCESSORIES



INDEX	REF.	DESIGNATION	Pricelist in : USD
1	RA443	Pad,Rear	
2	RA441	Support/Pad,Front	
3	RA406	Motor Support	
4	RA415	Drum Switch	
5	RA612N	Front Data Plate (R6N)	
6	RA418	Green "On" Switch Assy	
7	RA419	Red "Stop" Switch Assy	
8	RA416	Switch Knob	
9	R1090	Control Relay, Run(DPST)	
10	RA441.1	Gasket	
11	RA441.2	Metal Plate	
12	RA442	Support,Magnetic Switch	
13	C420P	Mag Swtch w/Hse (2 prl)	
14	RA699	Motor Base Assy(R6N)	
15	RA467	Seal Assembly (Seal Support)	
16	RA455	Plate, Motor Mounting	
17	R604S	Seal, Motor	
18	R492A	Shaft Pin (new style)	
19	S193379	(D) Motor R4N/R6N Low-Profile	
20	RA604D	No longer available	
21	RA494	Baffle	
22	RA493	Base	
23	29620	(E) Plastic Base, Low Profile	
24	RA402	Foot	
25	BX658	Base Bolt W/Washer	
26	RA401	Plate, Relay Mounting	
27	R611	Motor Support Seal	
28	RA489	O Ring, Seal Support	
29	R662	Bearing, Motor Top	
30	R237	6203 Bearing R2 Top/Btm	
31	RA490	Strain Relief	
32	R403	Cord without Plug	
33	R4904	Plug 3 Phase	
34	117770	(D) Din Rail 2"L, R4/R6 'D'	
35	R413	Voltage Relay	
36	103903	(D) 10mm S.S. Spacer (R6N)	
37	RA645.2	Pin, Bowl	
38	RA424.3	Spring, Bowl Pin	
39	RA424.4	Nut For Bowl Pin	
40	RA451	Seal,Lid	
41	RA653	Blade Locking Nut	
42	RA657	Plastic Spacer(5mm)	
43	RA654	SS Spacer(15mm)	
44	RA654	SS Spacer(15mm)	
45	RA655	Top Blade (Straight)	
46	RA656	Top Blade(Serrated)	
47	RA617	Spacer,Blade	
48	RA658	Bottom Blade (Straight)	
49	RA659	Bottom Blade(Serrated)	
50	102071	(D) Blade Support	
51	RA420	Lid	
52	RA616	Blade Tool Assy.	
53	RA644	* Bowl Kit	
54	RA651	*Smooth Blade Assembly	
55	RA651A	*Serrated Blade Assy	
56	RA645	Bowl	
57	R199	* Robo-Cart	