

Machines Manufactured before March of 1996

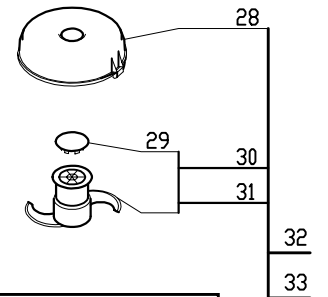
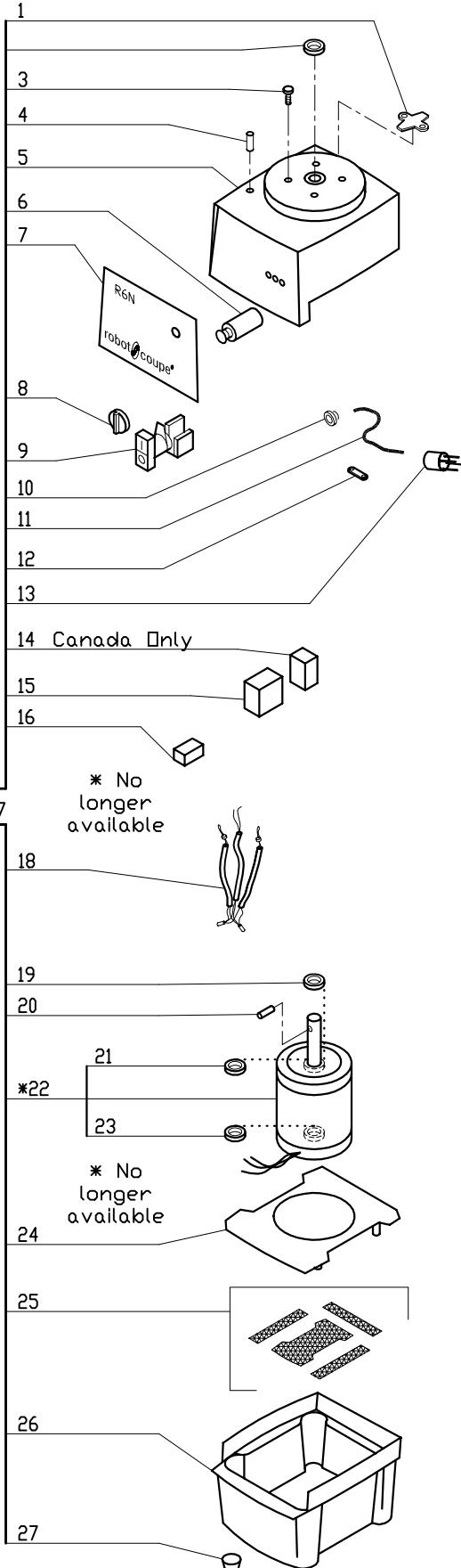
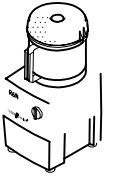
Serial Numbers up to R6N002727N also R6N002767N to R6N002768N

2-Speed, 208-240 Volt, 3 Phase, 60Hz., 1 HP.

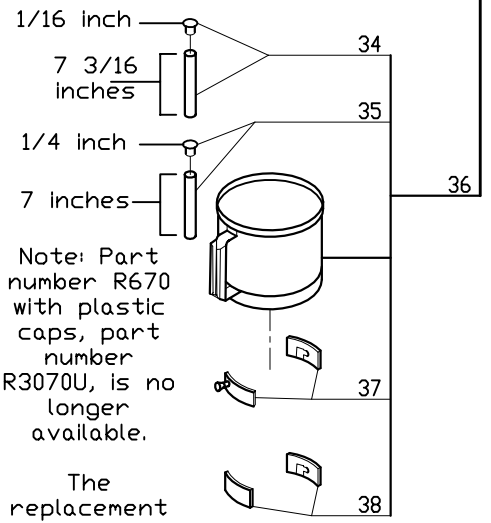
Low Speed-850 RPM, 2.6 Amps

High Speed-1725 RPM, 2.8 Amps

Use C Designated Plates.



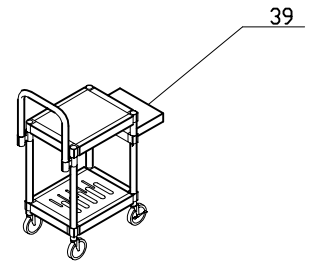
If you have a six-sided motor shaft, call the factory for blade parts.



Note: Part number R670 with plastic caps, part number R3070U, is no longer available.

The replacement part number R670, incorporates a metal plug cap.

ACCESSORIES



INDEX	REF.	DESIGNATION	Pricelist in : USD
1	R484	Stop Pad	
2	R611	Motor Support Seal	
3	R232	Motor Support Screw	
4	R619A	Switch Support, Mag Sw	
5	R610	Motor Support	
6	R415	Two (2) Speed Switch	
7	R612N	Front Data Plate (R6N)	
8	R416F	Switch Knob	
9	R3018	On/Off Switch	
10	R496G	Gromet (Elect Cord)	
11	R403	Cord without Plug	
12	R233	Strain Relief	
13	R4904	Plug 3 Phase	
14	R413TR	CSA Thermal Relay/R4N	
15	R413	Voltage Relay	
16	R1090	Control Relay, Run(DPST)	
17	R699	No longer available	
18	C420P	Mag Swtch w/Hse (2 prl)	
19	R604S	Seal, Motor	
20	R492A	Shaft Pin (new style)	
21	R662	Bearing, Motor Top	
22	R604N	No longer available	
23	R237	6203 Bearing R2 Top/Btm	
24	R494	Baffle (R4N R4X R4Y R4S)	
25	R498	Screen Kit (R4N,X,S,Y)	
26	R493F	R4 Base (French)	
27	R402F	Foot (French)	
28	R546	Bowl Lid	
29	R661	Cap, S Blade	
30	R651A	* Smooth Blade Assy	
31	R652A	* Serrated Blade Assy	
32	R644	* R6N Bowl Kit	
33	R644A	* Bowl Kit	
34	R670	Rod, Bowl W/Drive-In Cap	
35	R670A	Bowl Rod w/Press Fit Cap	
36	R645	Bowl	
37	R646A	Bushing Set w Bwl Lock Pin	
38	R646	Lckg Bush Set w/Screws	
39	R199	* Robo-Cart	