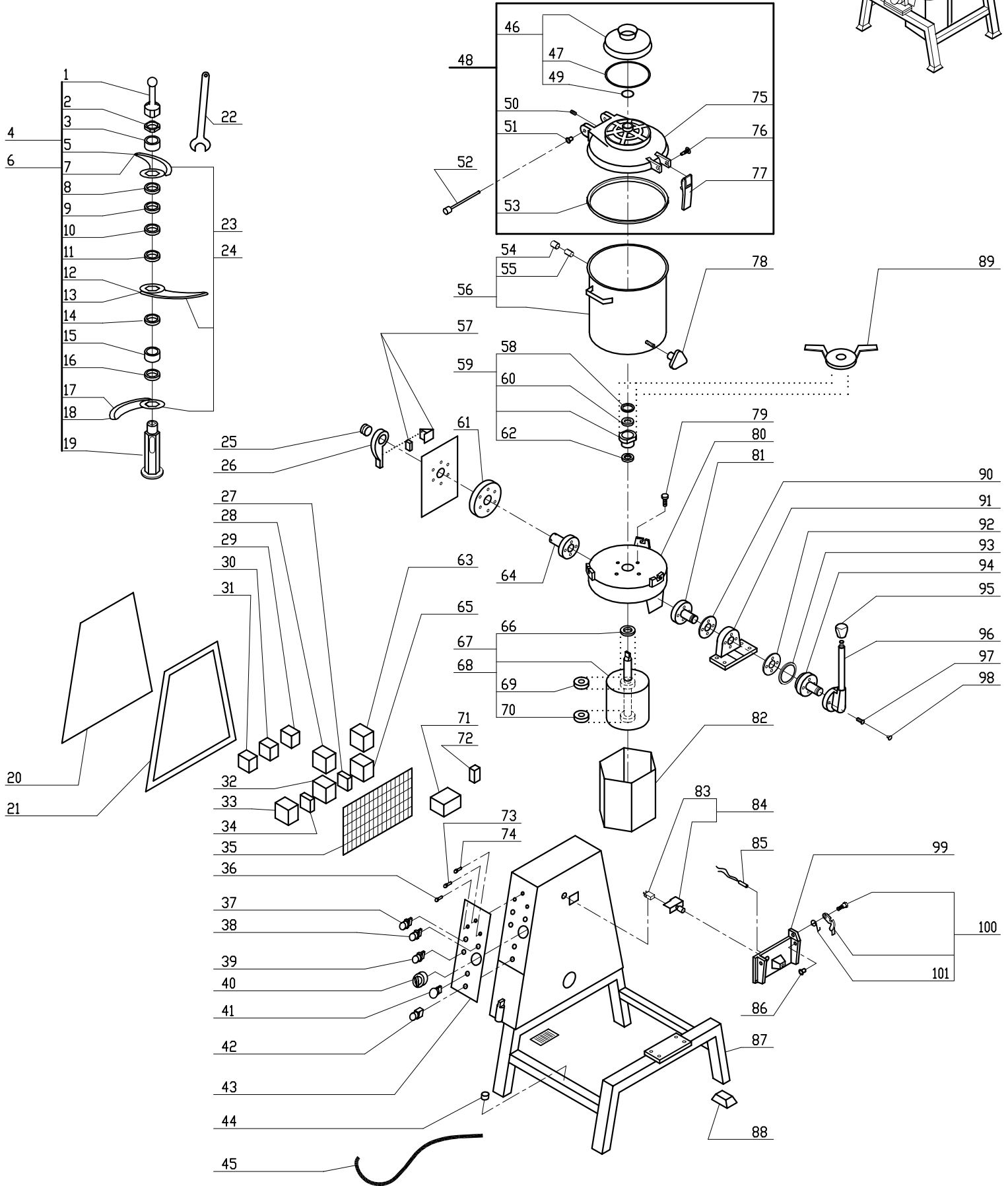
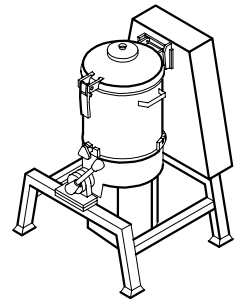


R60TS-200 Series

2 Speed, 208-240 Volt, 3 Phase, 60Hz.,
 Low Speed-1725 RPM, 59 Amps, 15 HP.
 High Speed- 3450 RPM, 40 Amps, 16 HP.



INDEX	REF.	DESIGNATION	Pricelist in : USD
1	R6046	Blade Locking Nut	
2	R6047	Stainless Nut	
3	R6049	Nylon Spacer 26MM	
4	R6055A	* Blade Assbly Smooth Mtcd	
5	R6050B	3.0 Smooth Blade Only Mt	
6	R6055B	* Blade Assbly Ser Matche	
7	R6051B	3.0 Serr Blade Only Mtch	
8	R6048	Spacer	
9	R6048	Spacer	
10	R6048	Spacer	
11	R6048	Spacer	
12	R6050C	3.5 Smth Blade Only Mtch	
13	R6051C	3.5 Serr Blade Only Mtch	
14	R6048	Spacer	
15	R6049	Nylon Spacer 26MM	
16	R6048	Spacer	
17	R6050D	5.0 Smth Blade Only Mtch	
18	R6051D	5.0 Serr Blade Only Mtch	
19	R6054	Blade Support	
20	R6060A	Back Access Cover	
21	R6059	Seal, Back Access Cover	
22	R6045	Locking Nut Wrench	
23	R6050M	Blade Set/Matched Smooth	
24	R6051M	* Blade Set-Match Serrated	
25	R2566	Nut, Plastic	
26	R2576A	Vertical Stop Arm	
27	R1079	Relay Mech. Interlock	
28	R40391TP	Thermal OL (USA)	
29	R413	Voltage Relay	
30	R413	Voltage Relay	
31	R413	Voltage Relay	
32	R4039TP	Contractor	
33	R40143	High Relay (R40T)	
34	R1079	Relay Mech. Interlock	
35	R6068A	Relay Support Anchor (TS)	
36	R40351TP	Green Lamp 220V	
37	R4033G	Run Button (Green)	
38	R4033B	Pulse Button(Black)	
39	R6075	Mode Switch	
40	R4040TP	Timer	
41	R1015	Switch, Stop (Red)	
42	R2526A	Switch w/Knob (R25T R40T)	
43	R6087A	Data Plate	
44	R6002	Horizontal Stop Pad	
45	R6089A	Electrical Cord 6/4 SO	
46	R1045	Transparent Cvr, AssyLid	
47	R1044	O Ring, Trans Lid Cover	
48	R6028B	* Lid Assembly	
49	R1038	O Ring, Lid	
50	R6023A	Stud For Lid	
51	R1547	Lid Hinge Pin Bushing	
52	R2521A	Lid Mounting Pin	
53	R6027N	Lid Gasket	
54	R25127	Bowl Magnet Cap	
55	R25126A	Bowl/Magnet	
56	R6026B	* Bowl	
57	R2574A	Vertical Stop Pad & Support	
58	R6020	"O" Ring	
59	R60201	Seal Assy	
60	R6019	Motor Support Seal	
61	R6013	Rear Hub Support	
62	R6019	Motor Support Seal	
63	R40395TP	Thermal OL (CAN)	

INDEX	REF.	DESIGNATION	Pricelist in : USD
64	R6012	Motor Support Hub	
65	R4039TP	Contractor	
66	R60995	Motor Seal	
67	R6017A	Motor (220V 60CY Cent.)	
68	R6017B	Motor (440V,60CY) 3Ph	
69	R6017B.1	Top Bearing(310 non-cont)	
70	R6017B.2	Bottom Bearing (2072RS)	
71	R1068	Transformer 440V/220V	
72	R1069	Terminal Block(Canadian)	
73	R40371TP	Red lamp 220V	
74	R6057	Lamp, Amber	
75	R6028	* Lid	
76	R6031	Screw, Lid Sec.Hndl (Hard)	
77	R2599A	Lid Locking Assy	
78	R1510N	Bowl Securing Knob (AL)	
79	R6022	MS Screw (FH 7/16X2)	
80	R6018A	Motor Support	
81	R2584	Front Support Hub/Tilt	
82	R6092	Mtl Shroud,Cutting Mtr	
83	R114	Switch Only	
84	R2534A	Mechanical Switch Assy.	
85	R851	Mag Switch w/Housing	
86	R1547	Lid Hinge Pin Bushing	
87	R6003A	Base	
88	R6001A	Foot	
89	R60998	Wrench, Seal Nut	
90	R2585	Locking Disc/Tilt	
91	R6009	Front Pivot Support	
92	R2585	Locking Disc/Tilt	
93	R25161	Friction Ring	
94	R2588	Lever Locking Nut/Tilt	
95	R2594	Locking Lever Knob	
96	R6005	Locking Lever w/FlangeMt	
97	R25133	Tilt Hndle Screw/6.3 8.3	
98	R1034	Cover,Screw (MS 21MM)	
99	59116	(V) Lid Mounting Plate (R60TS)	
100	R60997	Locking Arm Assy For Lid	
101	R60997.1	Spring Locking Arm	