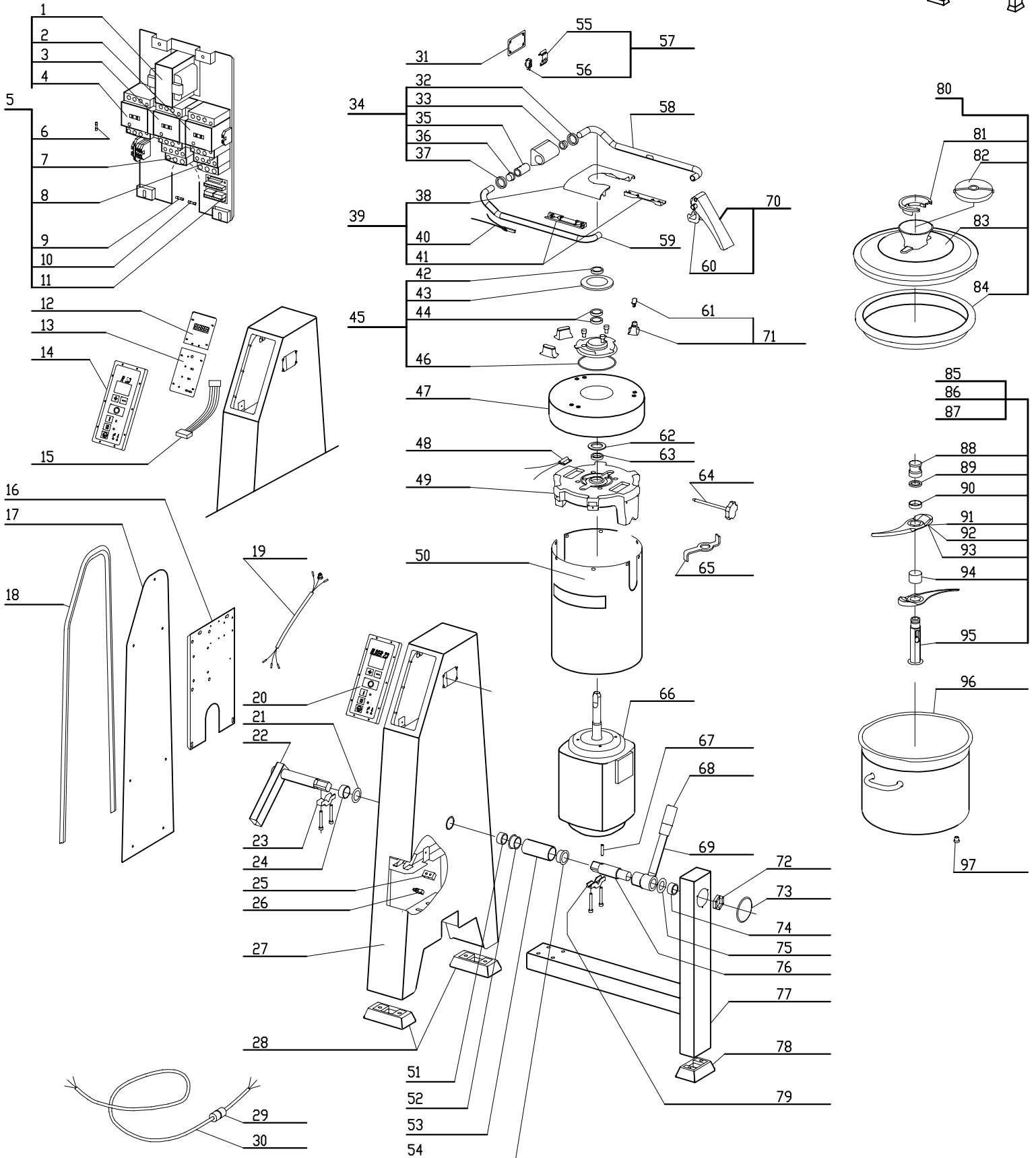
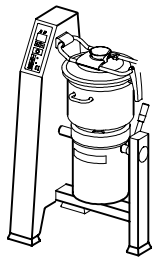


R60T

2 Speed, 208-240 Volt, 3 Phase, 60Hz.,
 Low Speed-1725 RPM, 32.5 Amps, 11.5 HP.
 High Speed- 3450 RPM, 45 Amps, 16 HP.



INDEX	REF.	DESIGNATION	Pricelist in : USD
1	507201	(HA) Transformer, R60T	
2	507176	(HA) High Spd. Contactor, RR60T	
3	507175	(HA) Contactor, R60T	
4	507175	(HA) Contactor, R60T	
5	117996	(HA) Power Circuit Board, R60T	
6	500537	Primary Fuse 12/24V	
7	507177	(HA) Low Speed Thermal Relay, R60T	
8	507178	(HA) High Spd Thermal Relay, R60T	
9	504253	(GA) Secondary Fuse	
10	507206	(HA) Secondary Fuse, R60T	
11	117980	(GA) Connection Card	
12	119218	(GA) Timer Circuit Board	
13	119217	(GA) Control Circuit Board	
14	59151	Control Panel Assembly	
15	117982	(GA) Flat Link Cable	
16	117996	(HA) Power Circuit Board, R60T	
17	117940	(FA) Casing Access Door, R45T\R60T	
18	118257	(FA) Casing Access Door Seal, R45T\R60T	
19	118127	(GA) Safety Wiring	
20	59151	Control Panel Assembly	
21	118147	(GA) Back Thrust Washer	
22	59162	(HA) Back Tilting Pivot Assy, R60T	
23	119214	(GA) Tilting Pivot Staple	
24	118146	(GA) Back Tilting Pivot Spacer	
25	117959	(GA) Tilting Thrust	
26	507007	Tilting Safety Switch	
27	117939	(FA) Casing, R45T	
28	118186	(GA) Casing Foot	
29	59167	(DA) Power Cord Protector	
30	503265	Description NA	
31	118255	(GA) Hinge Flat Seal	
32	501424	(GA) Sealing Ring 20x30	
33	118126	(GA) Bushing	
34	59128	(GA) Hinge Assy	
35	118253	(GA) Arm Cam	
36	118126	(GA) Bushing	
37	501424	(GA) Sealing Ring 20x30	
38	118101	(GA) Lid Support	
39	59130	(GA) Lid Support Assy	
40	118132	(GA) Arm Reed Switch	
41	59131	(GA) Arm Clip Assy	
42	59168	(FA) Shaft Seal Ring Assy	
43	118153	(DA) Bowl Seal, R30,R45	
44	507054	(FA) Motor Shaft Seal 40x52x7 (R45T)	
45	59143	(FA) Sealing Socket Assy, R45T	
46	507050	(DA) O-Ring, R30, R45	
47	118251	Upper Motor Cover	
48	118157	(GA) Motor Support Reed Switch	
49	59198	(FA) Motor Support Assy, R45T	
50	118298	(HA) Bottom Motor Cover, R60T	
51	118148	(GA) Back Bearing Bushing	
52	118150	(GA) Sleeve Bushing	
53	118168	(HA) Sleeve 132mm, R60T	
54	118150	(GA) Sleeve Bushing	
55	118254	(GA) Switch Support	
56	501258	(GA) Safety Switch	
57	59127	(GA) Safety Switch Assy	
58	119210	(HA) Right Lid Tube, R60T	
59	119211	(HA) Left Lid Tube, R60T	
60	119212	(GA) Lid Hook	
61	118595	(GA) Plastic Bowl Thrust	
62	118174	(FA) Motor Deflector, R45T	
63	507054	(FA) Motor Shaft Seal 40x52x7 (R45T)	

INDEX	REF.	DESIGNATION	Pricelist in : USD
64	59950	Pin Assembly	
65	118268	(FA) Knife Tool, R45T	
66	303123	(HA) Motor, R60T	
67	208582	Pin	
68	118142	(GA) Handle	
69	59161	(HA) Locking Lever Assy, R60T	
70	59196	(GA) Lid Handle Assy	
71	59165	(GA) Bowl Thrust Assy	
72	118166	(GA) Tilting Adj Nut	
73	117956	(GA) Plug	
74	118144	(GA) Front Bearing Bushing	
75	118143	(GA) Front Thrust Washer	
76	59163	(HA) Front Tilting Pivot Assy, R60T	
77	118191	(HA) Stand, R60T	
78	117958	(GA) Stand Foot	
79	119214	(GA) Tilting Pivot Staple	
80	59149	* (HA) Complete Lid Assy, R60T	
81	118100	(GA) Lid Guide	
82	118573	(GA) Soft Lid Cup	
83	118180	(HA) Plastic Lid, R60T	
84	119186	(HA) Lid Seal, R60T	
85	57091	Straight Knife	
86	57092	Coarse Serrated Blade	
87	57095	Fine Serrated Blade	
88	118206	(FA) Blade Locking Nut, R45T	
89	118207	(FA) Plastic Washer, R45T	
90	118204	(FA) 14mm Blade Spacer, R45T	
91	117954	Straight Blade	
92	118290	Coarse Serrated Blade	
93	118245	Fine Serrated Blade	
94	118205	(FA) 43mm Blade Spacer	
95	117932	(FA) Blade Support, R45T	
96	59148	* (HA) Bowl Assy, R60T	
97	118171	(GA) Safety Plug	