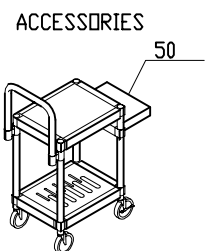
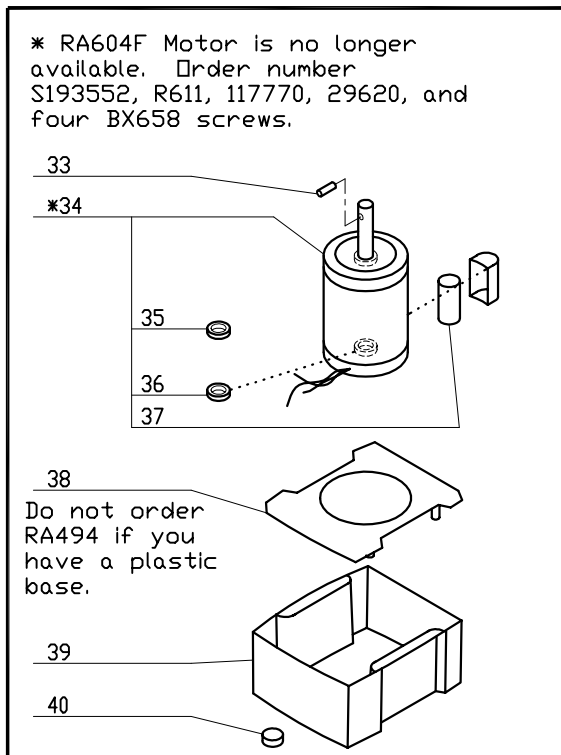
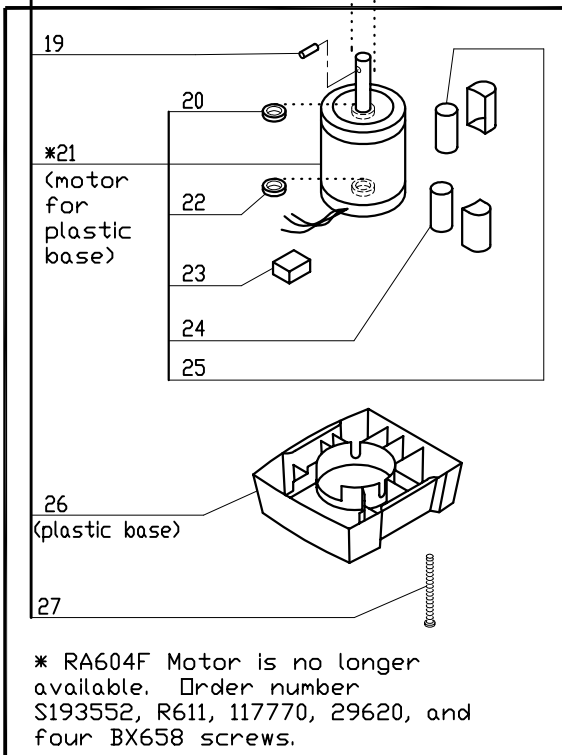
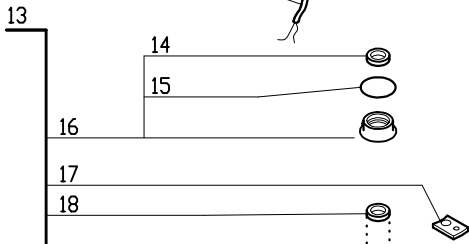
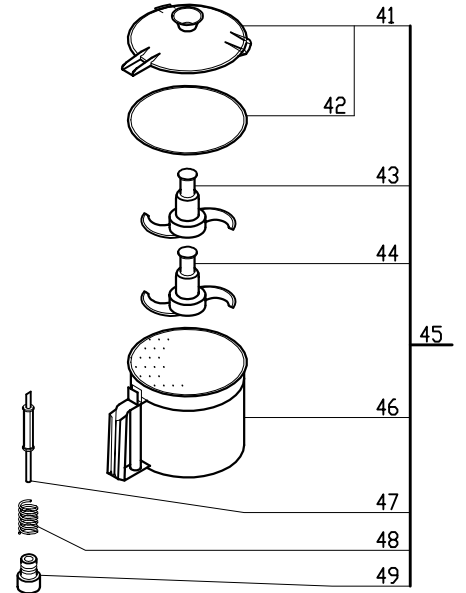
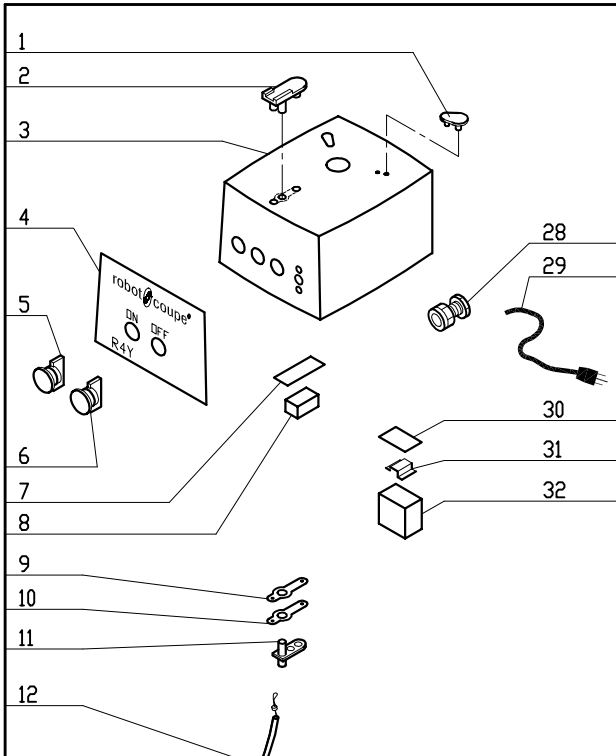
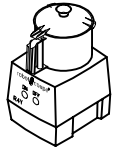


# R4Y Series A

Series A, Serial Numbers R4YxxxxxA  
 1- Speed, 120 Volt, 1 Phase, 60Hz., 1 HP.  
 1725 RPM, 12 Amps



INDEX	REF.	DESIGNATION	Pricelist in : USD
1	RA443	Pad,Rear	
2	RA441	Support/Pad,Front	
3	RA406	Motor Support	
4	408110	(D) Front Data Plate, R4Y	
5	RA418	Green "On" Switch Assy	
6	RA419	Red "Stop" Switch Assy	
7	Number NA	Description NA	
8	R664S	Relay DPST	
9	RA441.1	Gasket	
10	RA441.2	Metal Plate	
11	RA442	Support,Magnetic Switch	
12	C420	Mag Swtch w/Hse (single)	
13	RA4940	R4Y Motor Base Assy	
14	R611	Motor Support Seal	
15	RA489	O Ring, Seal Support	
16	RA467	Seal Assembly (Seal Support)	
17	RA455	Plate, Motor Mounting	
18	R604S	Seal, Motor	
19	R492A	Shaft Pin (new style)	
20	Number NA	Description NA	
21	S193552	(D) Motor R4Y/R6Y Low Profile	
22	Number NA	Description NA	
23	Number NA	Description NA	
24	Number NA	Description NA	
25	Number NA	Description NA	
26	29620	(E) Plastic Base, Low Profile	
27	BX658	Base Bolt W/Washer	
28	RA490	Strain Relief	
29	R496	Cord W/Plug (R4X,S,P,Y)	
30	Number NA	Description NA	
31	117770	(D) Din Rail 2"L, R4/R6 'D'	
32	R694	Contactactor R6Y-1	
33	R492A	Shaft Pin (new style)	
34	RA604F	No longer available	
35	R662	Bearing, Motor Top	
36	R237	6203 Bearing R2 Top/Btm	
37	R4950	Capacitor (R4S R4Y)	
38	RA494	Baffle	
39	RA493	Base	
40	RA402	Foot	
41	RA420	Lid	
42	RA451	Seal,Lid	
43	RA422	* Blade Assy	
44	RA423	* Serrated Blade Assy	
45	RA472	* Bowl Assy (4 Qt)	
46	RA424	Bowl	
47	RA424.2	Pin, Bowl	
48	RA424.3	Spring, Bowl Pin	
49	RA424.4	Nut For Bowl Pin	
50	R199	* Robo-Cart	