

# R4X Series D

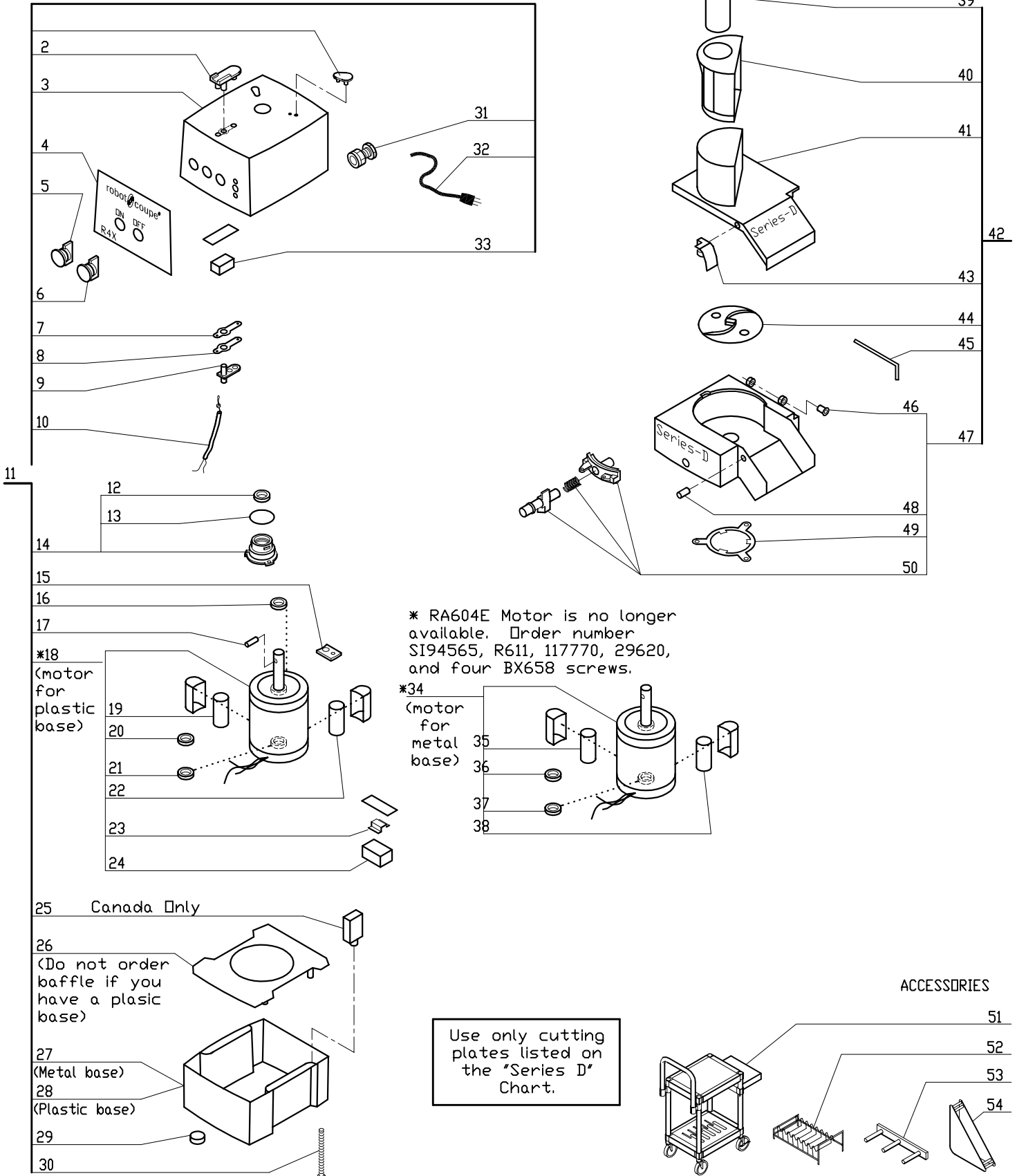
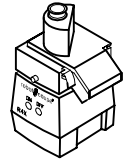
Series D, Serial Numbers 233xxxx03 (USA)

and R4X000600A and Above (Canada)

1- Speed, 120 Volt, 1 Phase, 60Hz., 1 HP.

850 RPM, 7.5 Amps

Use Series-D Plates.



\* RA604E Motor is no longer available. Order number SI94565, R611, 117770, 29620, and four BX658 screws.

Use only cutting plates listed on the "Series D" Chart.

ACCESSORIES

INDEX	REF.	DESIGNATION	Pricelist in : USD
1	RA443	Pad,Rear	
2	RA441	Support/Pad,Front	
3	RA406	Motor Support	
4	407231	(D) Front Data Plate, R4X	
5	RA418	Green "On" Switch Assy	
6	RA419	Red "Stop" Switch Assy	
7	RA441.1	Gasket	
8	RA441.2	Metal Plate	
9	RA442	Support,Magnetic Switch	
10	C420	Mag Swtch w/Hse (single)	
11	RA497	R4X Motor Base Assy	
12	R611	Motor Support Seal	
13	RA489	O Ring, Seal Support	
14	RA467	Seal Assembly (Seal Support)	
15	RA455	Plate, Motor Mounting	
16	R604S	Seal, Motor	
17	R492A	Shaft Pin (new style)	
18	S194565	(D) Motor R4X/R6X Low Profile	
19	S17586350	(D) Run Cap R4X/R6X	
20	R662	Bearing, Motor Top	
21	R237	6203 Bearing R2 Top/Btm	
22	S16213632	(D) Start Cap. R4X/R6X	
23	117770	(D) Din Rail 2"L, R4/R6 'D'	
24	S18388701	(D) Electronic Switch R4X/R6X	
25	R4911	Circuit Breaker/R4X/10A	
26	RA494	Baffle	
27	RA493	Base	
28	29620	(E) Plastic Base, Low Profile	
29	RA402	Foot	
30	BX658	Base Bolt W/Washer	
31	RA490	Strain Relief	
32	R496	Cord W/Plug (R4X,S,P,Y)	
33	R664S	Relay DPST	
34	RA604E	No longer available	
35	R4907	Run Capacitor R4X	
36	R662	Bearing, Motor Top	
37	R237	6203 Bearing R2 Top/Btm	
38	R4906	Start Capacitor R4X Mtr	
39	RA412	Small Pusher	
40	RA411	Large Pusher	
41	RA409	Continuous Feed Lead	
42	27198	* (D) Cont Feed Kit/R4	
43	RA429	Latch	
44	102690	(K)Discharge Plate	
45	CL520	Hinge Pin	
46	CL523	Hinge Pin Bushing	
47	29784	(D)Cont Feed Bowl (R4 Series D)	
48	RA477	Pin for Latch	
49	118433	(D)Locking Collar	
50	28107	(D)Locking Pin Assy	
51	R199	* Robo-Cart	
52	R255	* Plate Rack	
53	CL575	* Plate Rack (wall mount)	
54	R475	* Plate Rack (Individual)	