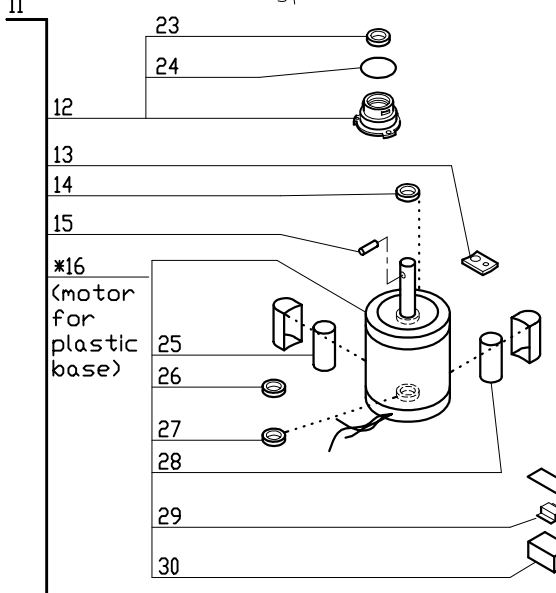
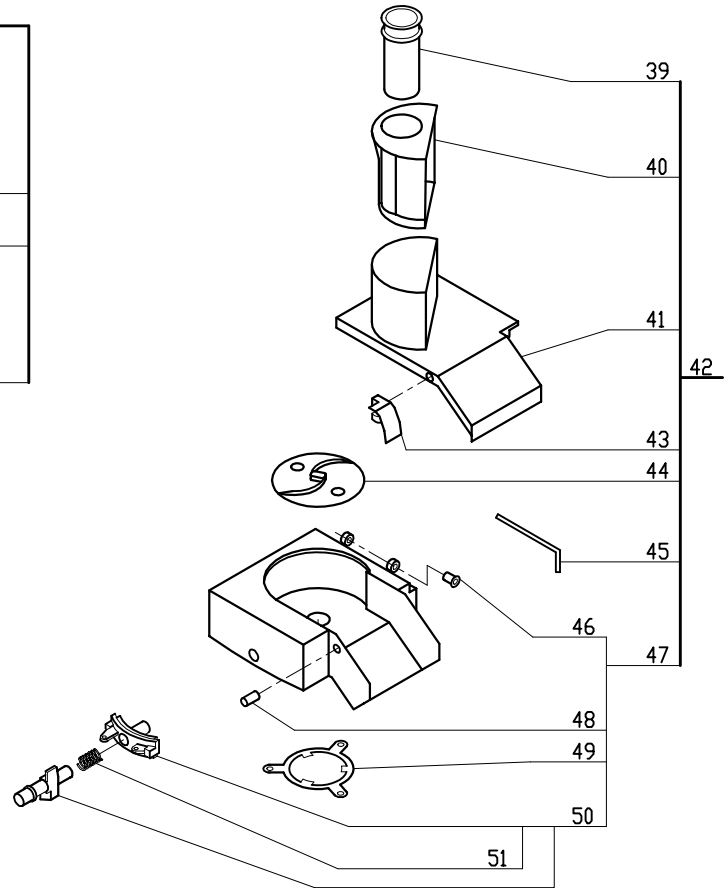
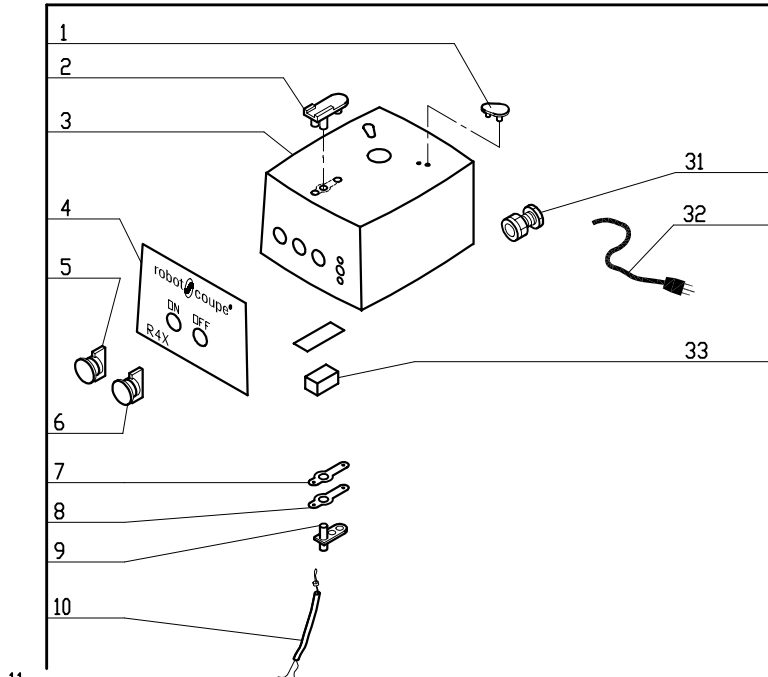
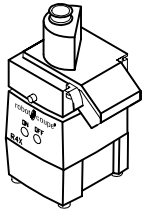
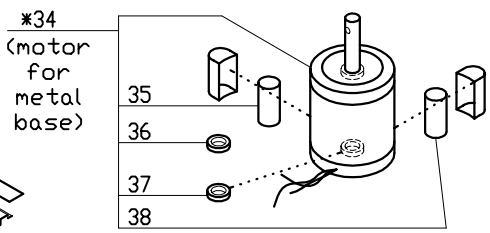


R4X Series A

Series A, Serial Numbers (R4XxxxxxA)
 1- Speed, 120 Volt, 1 Phase, 60Hz., 1 HP.
 850 RPM, 7.5 Amps
 Use C Designated Plates.



* RA604E Motor is no longer available. Order number SI94565, R611, 117770, 29620, and four BX658 screws.

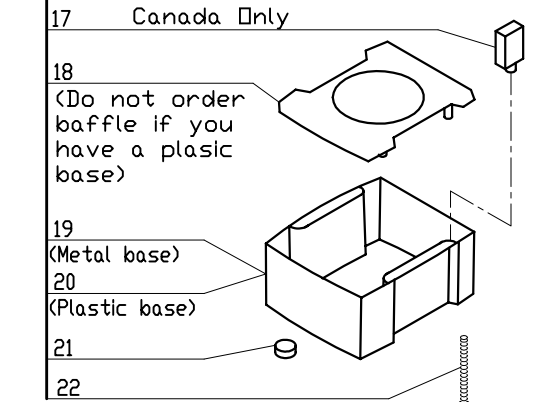


ACCESSORIES

NOTE: Use "C" designated plates.

52
53
54
55
56

** No longer available



INDEX	REF.	DESIGNATION	Pricelist in : USD
1	RA443	Pad,Rear	
2	RA441	Support/Pad,Front	
3	RA406	Motor Support	
4	RA495	Front Data Plate R4X	
5	RA418	Green "On" Switch Assy	
6	RA419	Red "Stop" Switch Assy	
7	RA441.1	Gasket	
8	RA441.2	Metal Plate	
9	RA442	Support,Magnetic Switch	
10	C420	Mag Swtch w/Hse (single)	
11	RA497	R4X Motor Base Assy	
12	RA467	Seal Assembly (Seal Support)	
13	RA455	Plate, Motor Mounting	
14	R604S	Seal, Motor	
15	R492A	Shaft Pin (new style)	
16	S194565	(D) Motor R4X/R6X Low Profile	
17	R4911	Circuit Breaker/R4X/10A	
18	RA494	Baffle	
19	RA493	Base	
20	29620	(E) Plastic Base, Low Profile	
21	RA402	Foot	
22	BX658	Base Bolt W/Washer	
23	R611	Motor Support Seal	
24	RA489	O Ring, Seal Support	
25	S17586350	(D) Run Cap R4X/R6X	
26	R662	Bearing, Motor Top	
27	R237	6203 Bearing R2 Top/Btm	
28	S16213632	(D) Start Cap. R4X/R6X	
29	117770	(D) Din Rail 2"L, R4/R6 'D'	
30	S18388701	(D) Electronic Switch R4X/R6X	
31	RA490	Strain Relief	
32	R496	Cord W/Plug (R4X,S,P,Y)	
33	R664S	Relay DPST	
34	RA604E	No longer available	
35	R4907	Run Capacitor R4X	
36	R662	Bearing, Motor Top	
37	R237	6203 Bearing R2 Top/Btm	
38	R4906	Start Capacitor R4X Mtr	
39	RA412	Small Pusher	
40	RA411	Large Pusher	
41	RA409	Continuous Feed Lead	
42	RA471	* Cont Feed Kit	
43	RA429	Latch	
44	CL572	Discharge Plate	
45	CL520	Hinge Pin	
46	CL523	Hinge Pin Bushing	
47	RA408	Continuous Feed Attachment	
48	RA477	Pin for Latch	
49	RA414	Locking Collar	
50	RA4901	Locking Pin Assy	
51	R1776	Spring	
52	R199	* Robo-Cart	
53	R255	* Plate Rack	
54	R475	* Plate Rack (Individual)	
55	R476	No Longer Available	
56	CL575	* Plate Rack (wall mount)	