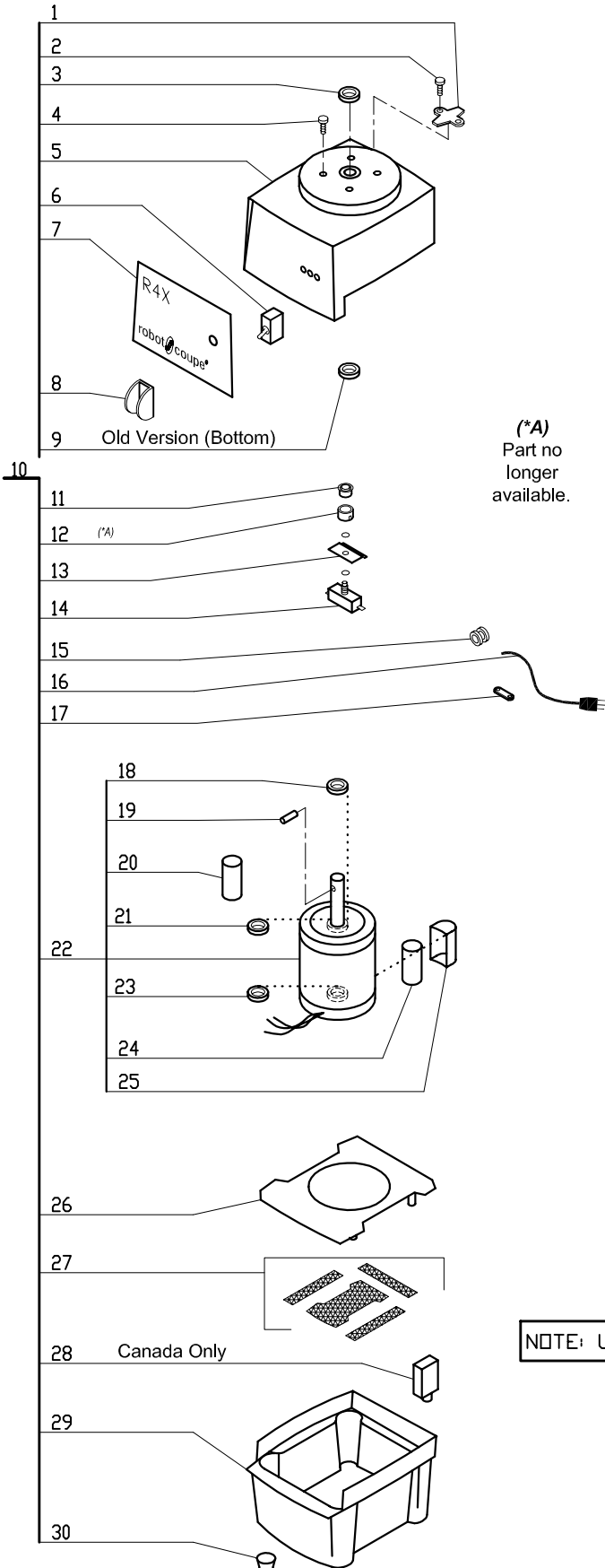
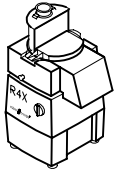


Machines manufactured before March of 1996

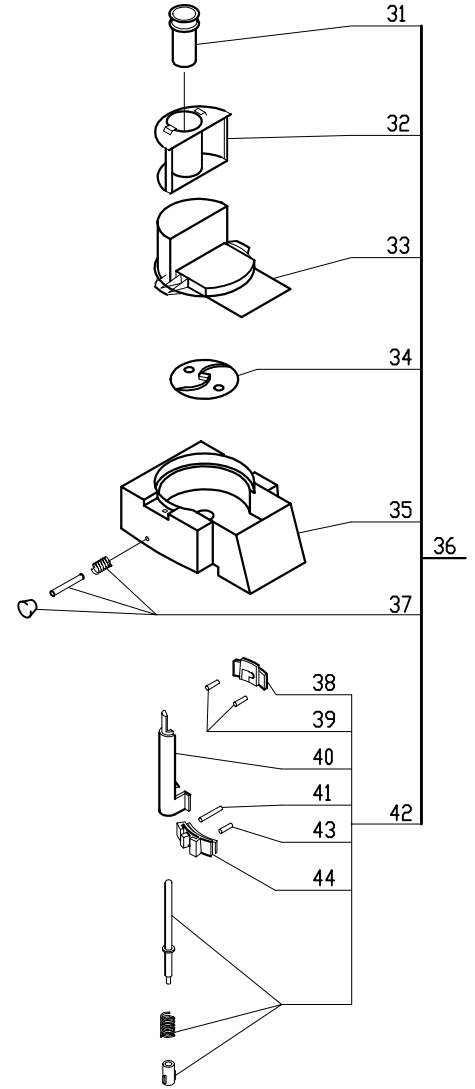
Serial Numbers up to R4X014598N

1- Speed, 120 Volt, 1 Phase, 60Hz.

Use **R** Designated Plates.



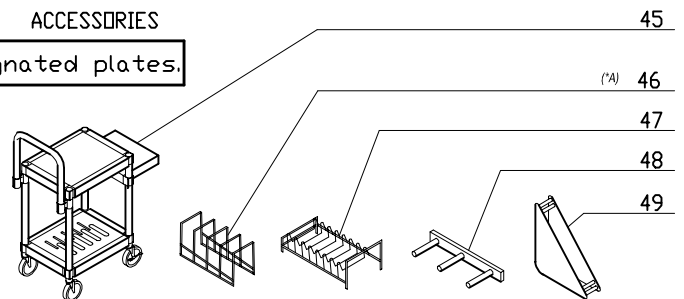
(*A)
Part no
longer
available.



(*A)
Part no
longer
available.

ACCESSORIES

NOTE: Use "R" designated plates.



INDEX	REF.	DESIGNATION	Pricelist in : USD
1	R484	Stop Pad	
2	R484S	Screw (Stop Pad)	
3	R405A	Seal (MS-Top) (20-35-6)	
4	R232	Motor Support Screw	
5	R406	Motor Support	
6	R4903	On/Off Toggle Switch	
7	R495	Data Plate (R4X)	
8	R469	Switch Guard (R4X)	
9	R405	Motor Support Seal	
10	R497	No Longer Available	
11	R417	Rubber "O" Ring(Red)	
12	R254	***NLA****Plastic Sleeve	
13	R224	Switch Plate	
14	R223	Safety Switch	
15	R496G	Gromet (Elect Cord)	
16	R496	Cord W/Plug (R4X,S,P,Y)	
17	R233	Strain Relief	
18	R479	Motor Seal (Gould Motor)	
19	R492A	Shaft Pin (new style)	
20	R4907	Run Capacitor R4X	
21	R485	Top Bearing/Gould (R4X,S	
22	R478	Mtr FC 1/2HP 115V (R4X)	
23	R237	6203 Bearing R2 Top/Btm	
24	R4906	Start Capacitor R4X Mtr	
25	R4906A	Capacitor Cover	
26	R494	Baffle (R4N R4X R4Y R4S)	
27	R498	Screen Kit (R4N,X,S,Y)	
28	R4911	Circuit Breaker/R4X/10A	
29	R493F	R4 Base (French)	
30	R402F	Foot (French)	
31	R412N	Small Vegetable Pusher	
32	R411N	Large Vegetable Pusher	
33	R409N	Continuous Feed Lead	
34	R410	Discharge Plate	
35	R408	Cont. Feed Attachment	
36	R471N	* Continuous Feed Kit	
37	R4901	Locking Pin Assembly	
38	R483	Locking Bushing	
39	R482R	Rivot (7MM)	
40	R480	Pin Asmbly Sup/Cont Feed	
41	R482RL	Rivet (1CM)	
42	R474K	Pin Asmbly Kit/Cont Feed	
43	R482R	Rivot (7MM)	
44	R482	Pin Locking Bushing	
45	R199	* Robo-Cart	
46	R476	No Longer Available	
47	R255	* Plate Rack	
48	CL575	* Plate Rack (wall mount)	
49	R475	* Plate Rack (Individual)	