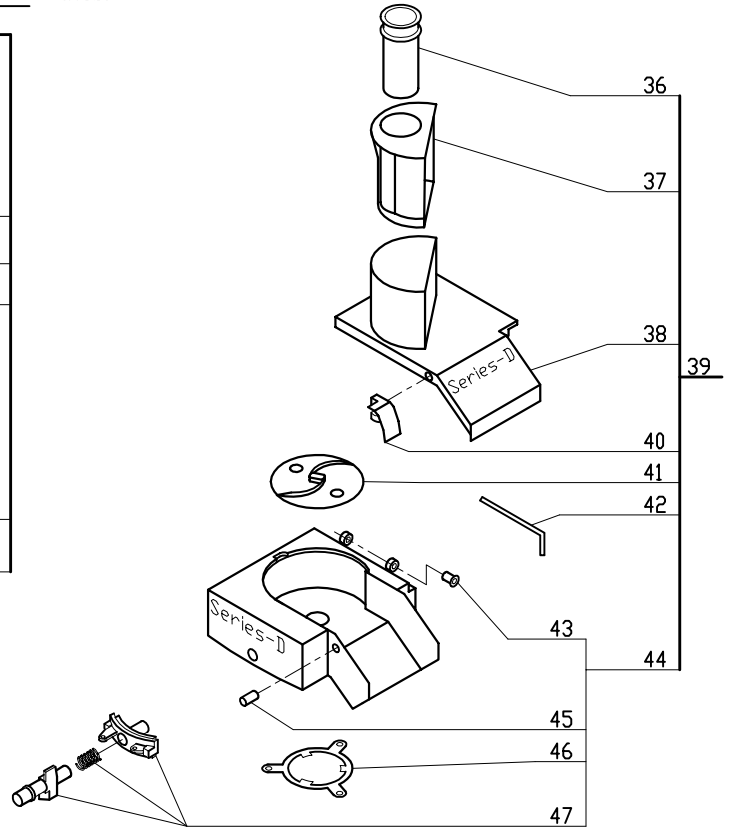
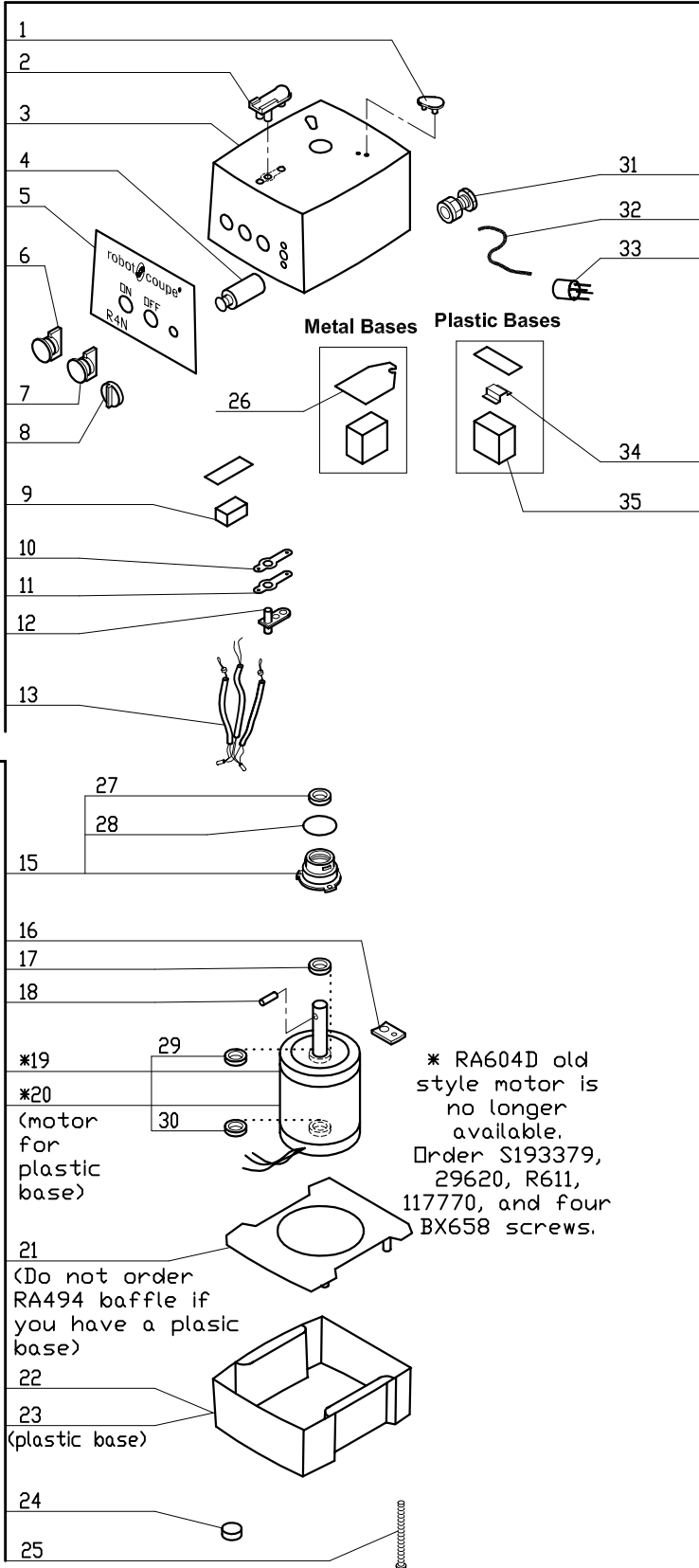
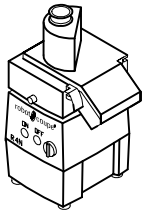


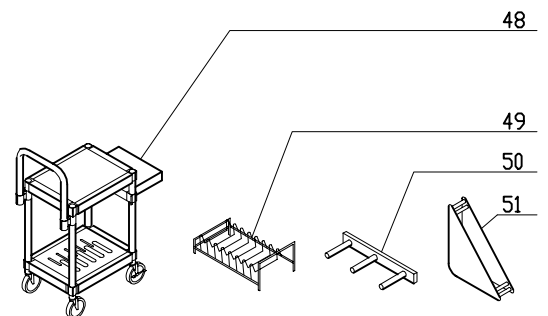
# R4C Series D

Series D, Serial Numbers 232xxxx13 (USA)  
 and JA500A and above (Canadian)  
 2-Speed, 208-240 Volt, 3 Phase, 60Hz., 1 HP.  
 Low Speed-850 RPM, 2.6 Amps  
 High Speed- 1725 RPM, 2.8 Amps  
 Use **Series-D** Plates.



ACCESSORIES

Use only cutting plates listed on the "Series D" Chart.





# R4C #3

INDEX	REF.	DESIGNATION	Pricelist in : USD
1	RA443	Pad,Rear	
2	RA441	Support/Pad,Front	
3	RA406	Motor Support	
4	RA415	Drum Switch	
5	407232	(D) Front Data Plate, R4N	
6	RA418	Green "On" Switch Assy	
7	RA419	Red "Stop" Switch Assy	
8	RA416	Switch Knob	
9	R1090	Control Relay, Run(DPST)	
10	RA441.1	Gasket	
11	RA441.2	Metal Plate	
12	RA442	Support,Magnetic Switch	
13	C420P	Mag Swtch w/Hse (2 prl)	
14	RA470	R4N Motor Base Assy	
15	RA467	Seal Assembly (Seal Support)	
16	RA455	Plate, Motor Mounting	
17	R604S	Seal, Motor	
18	R492A	Shaft Pin (new style)	
19	RA604D	No longer available	
20	S193379	(D) Motor R4N/R6N Low-Profile	
21	RA494	Baffle	
22	RA493	Base	
23	29620	(E) Plastic Base, Low Profile	
24	RA402	Foot	
25	BX658	Base Bolt W/Washer	
26	RA401	Plate, Relay Mounting	
27	R611	Motor Support Seal	
28	RA489	O Ring, Seal Support	
29	R662	Bearing, Motor Top	
30	R237	6203 Bearing R2 Top/Btm	
31	RA490	Strain Relief	
32	R403	Cord without Plug	
33	R4904	Plug 3 Phase	
34	117770	(D) Din Rail 2"L, R4/R6 'D'	
35	R413	Voltage Relay	
36	RA412	Small Pusher	
37	RA411	Large Pusher	
38	RA409	Continuous Feed Lead	
39	27198	* (D) Cont Feed Kit/R4	
40	RA429	Latch	
41	102690	(K)Discharge Plate	
42	CL520	Hinge Pin	
43	CL523	Hinge Pin Bushing	
44	29784	(D)Cont Feed Bowl (R4 Series D)	
45	RA477	Pin for Latch	
46	118433	(D)Locking Collar	
47	28107	(D)Locking Pin Assy	
48	R199	* Robo-Cart	
49	R255	* Plate Rack	
50	CL575	* Plate Rack (wall mount)	
51	R475	* Plate Rack (Individual)	