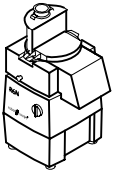


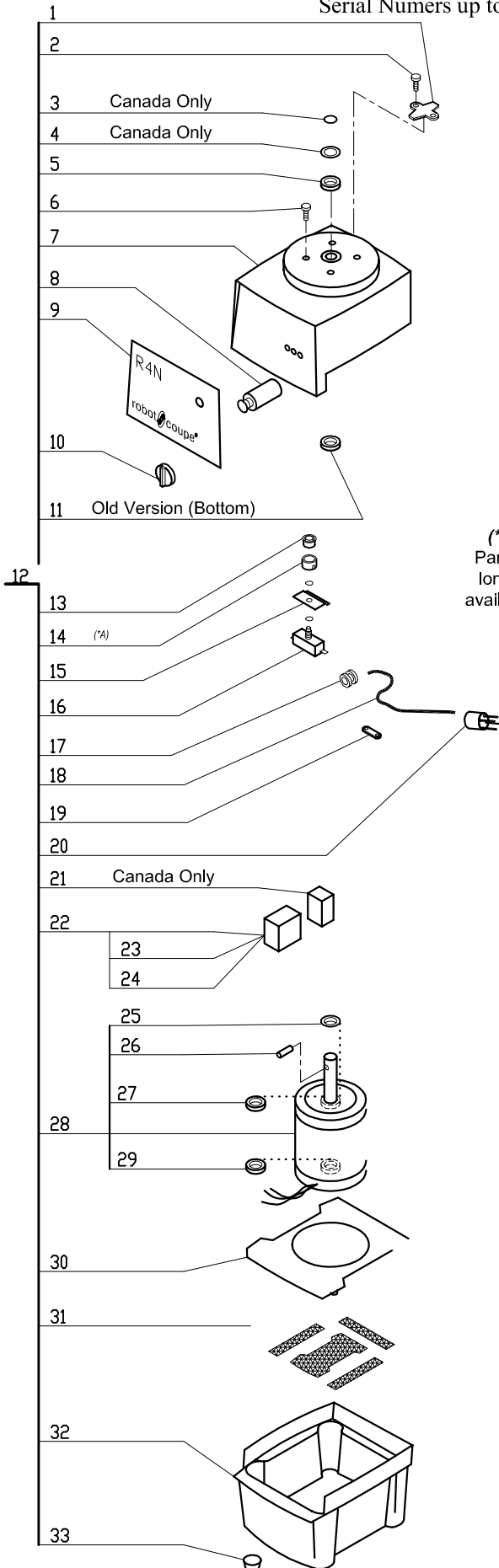
Machines manufactured before March of 1996



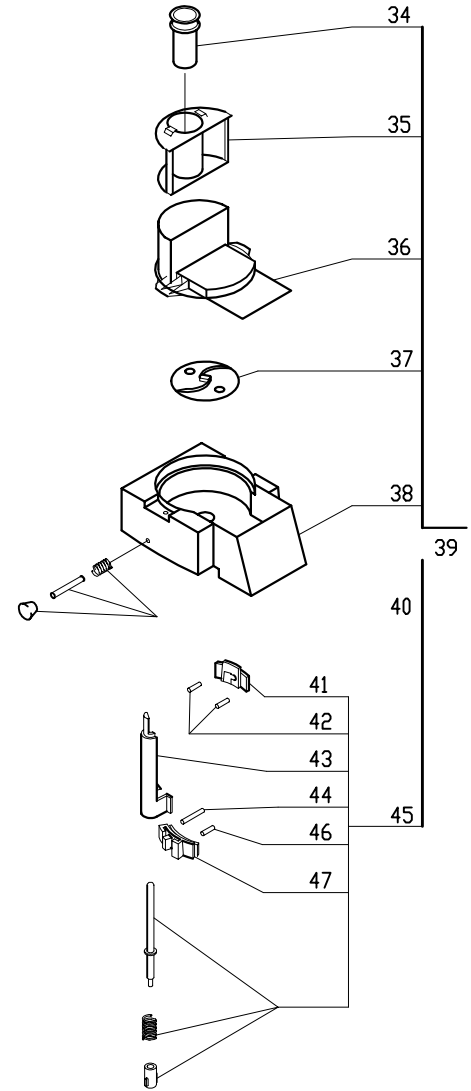
Serial Numbers up to JA007125N, numbers JA007214N to JA007232N

also, JA007233A and above.

Use **R** Designated Plates.



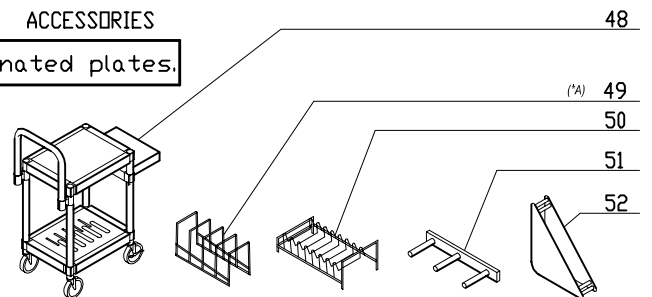
(\*A)  
Part no  
longer  
available.



(\*A)  
Part no  
longer  
available.

ACCESSORIES

NOTE: Use "R" designated plates.



INDEX	REF.	DESIGNATION	Pricelist in : USD
1	R484	Stop Pad	
2	R484S	Screw (Stop Pad)	
3	R4952	O Ring	
4	R4951	Teflon Seal, Motor Shaft	
5	R405A	Seal (MS-Top) (20-35-6)	
6	R232	Motor Support Screw	
7	R406	Motor Support	
8	R415	Two (2) Speed Switch	
9	R4902	Front Data Plate (R4N)	
10	R416F	Switch Knob	
11	R405	Motor Support Seal	
12	R470	No longer available	
13	R417	Rubber "O" Ring(Red)	
14	R254	***NLA****Plastic Sleeve	
15	R224	Switch Plate	
16	R223	Safety Switch	
17	R496G	Gromet (Elect Cord)	
18	R403	Cord without Plug	
19	R233	Strain Relief	
20	R4904	Plug 3 Phase	
21	R413TR	CSA Thermal Relay/R4N	
22	R413	Voltage Relay	
23	R413C	Coil Only (LX1 D09 White)	
24	R413D	Coil Only (LX1D2 Blue)	
25	R479	Motor Seal (Gould Motor)	
26	R492A	Shaft Pin (new style)	
27	R485	Top Bearing/Gould (R4X,S	
28	R404F	Motor F/C 1HP 220V/3Ph	
29	R237	6203 Bearing R2 Top/Btm	
30	R494	Baffle (R4N R4X R4Y R4S)	
31	R498	Screen Kit (R4N,X,S,Y)	
32	R493F	R4 Base (French)	
33	R402F	Foot (French)	
34	R412N	Small Vegetable Pusher	
35	R411N	Large Vegetable Pusher	
36	R409N	Continuous Feed Lead	
37	R410	Discharge Plate	
38	R408	Cont. Feed Attachment	
39	R471N	* Continuous Feed Kit	
40	R4901	Locking Pin Assembly	
41	R483	Locking Bushing	
42	R482R	Rivot (7MM)	
43	R480	Pin Asmbly Sup/Cont Feed	
44	R482RL	Rivet (1CM)	
45	R474K	Pin Asmbly Kit/Cont Feed	
46	R482R	Rivot (7MM)	
47	R482	Pin Locking Bushing	
48	R199	* Robo-Cart	
49	R476	No Longer Available	
50	R255	* Plate Rack	
51	CL575	* Plate Rack (wall mount)	
52	R475	* Plate Rack (Individual)	