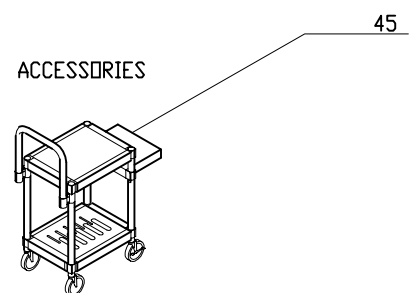
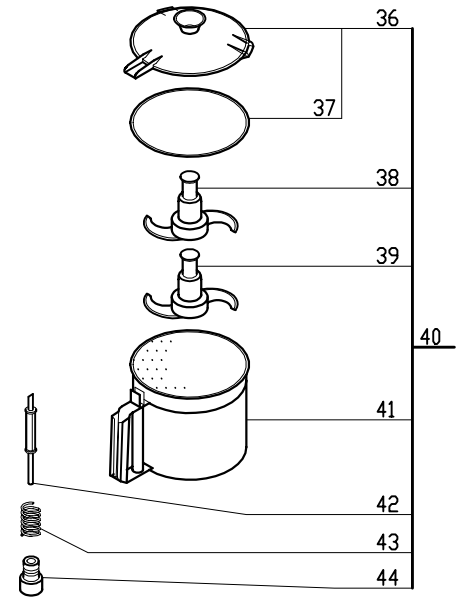
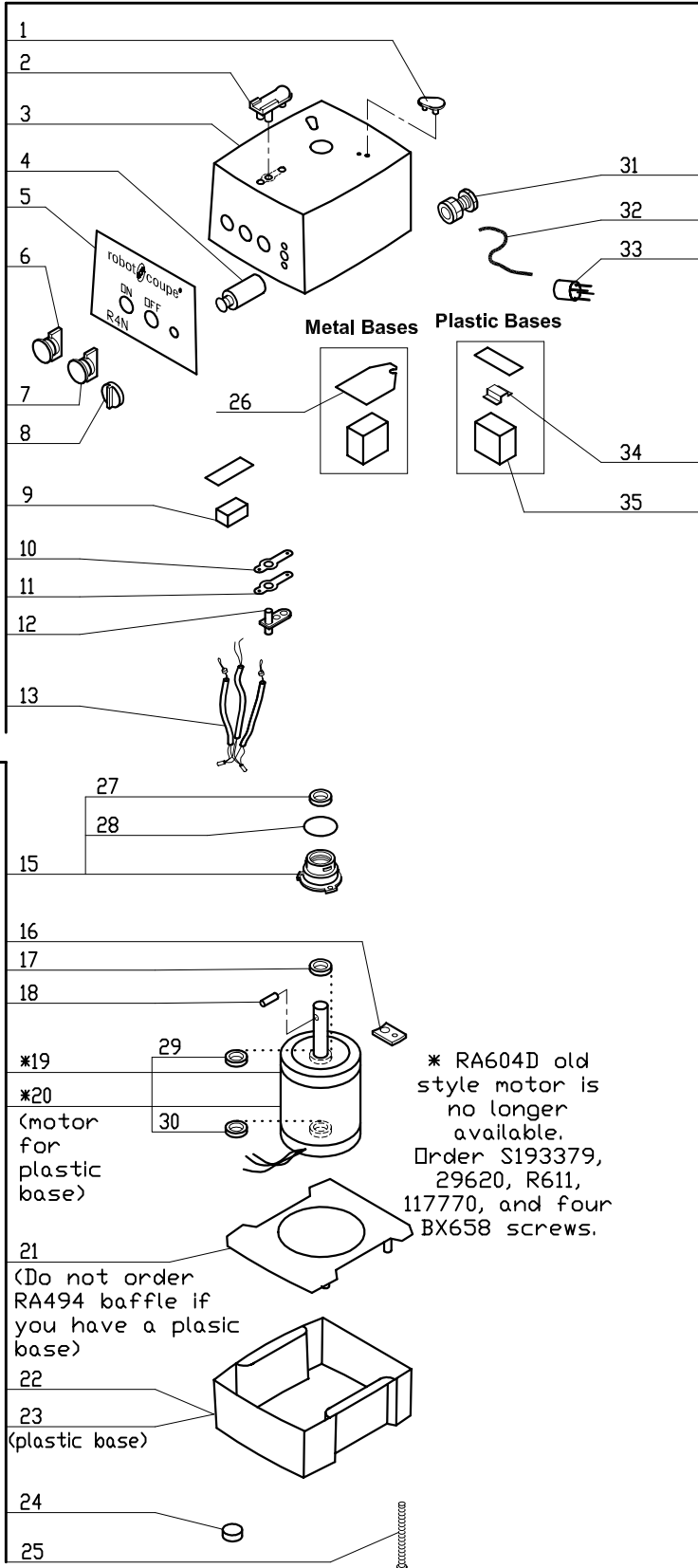
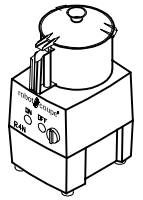


R4B Series D

Series D, Serial Numbers 232xxxx13 (USA)
 and JA500A and above (Canadian)
 2- Speed, 208-240 Volt, 3 Phase, 60Hz., 1 HP.
 Low Speed-850 RPM, 2.6 Amps
 High Speed- 1725 RPM, 2.8 Amps
 Use **Series-D** Plates.



INDEX	REF.	DESIGNATION	Pricelist in : USD
1	RA443	Pad,Rear	
2	RA441	Support/Pad,Front	
3	RA406	Motor Support	
4	RA415	Drum Switch	
5	407232	(D) Front Data Plate, R4N	
6	RA418	Green "On" Switch Assy	
7	RA419	Red "Stop" Switch Assy	
8	RA416	Switch Knob	
9	R1090	Control Relay, Run(DPST)	
10	RA441.1	Gasket	
11	RA441.2	Metal Plate	
12	RA442	Support,Magnetic Switch	
13	C420P	Mag Swtch w/Hse (2 prl)	
14	RA470	R4N Motor Base Assy	
15	RA467	Seal Assembly (Seal Support)	
16	RA455	Plate, Motor Mounting	
17	R604S	Seal, Motor	
18	R492A	Shaft Pin (new style)	
19	RA604D	No longer available	
20	S193379	(D) Motor R4N/R6N Low-Profile	
21	RA494	Baffle	
22	RA493	Base	
23	29620	(E) Plastic Base, Low Profile	
24	RA402	Foot	
25	BX658	Base Bolt W/Washer	
26	RA401	Plate, Relay Mounting	
27	R611	Motor Support Seal	
28	RA489	O Ring, Seal Support	
29	R662	Bearing, Motor Top	
30	R237	6203 Bearing R2 Top/Btm	
31	RA490	Strain Relief	
32	R403	Cord without Plug	
33	R4904	Plug 3 Phase	
34	117770	(D) Din Rail 2"L, R4/R6 'D'	
35	R413	Voltage Relay	
36	RA420	Lid	
37	RA451	Seal,Lid	
38	RA422	* Blade Assy	
39	RA423	* Serrated Blade Assy	
40	RA472	* Bowl Assy (4 Qt)	
41	RA424	Bowl	
42	RA424.2	Pin, Bowl	
43	RA424.3	Spring, Bowl Pin	
44	RA424.4	Nut For Bowl Pin	
45	R199	* Robo-Cart	