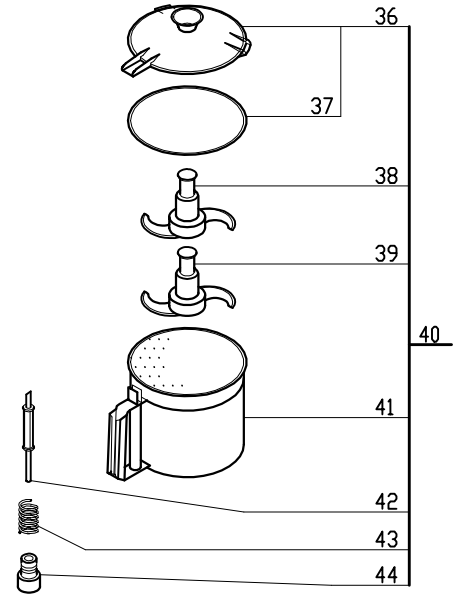
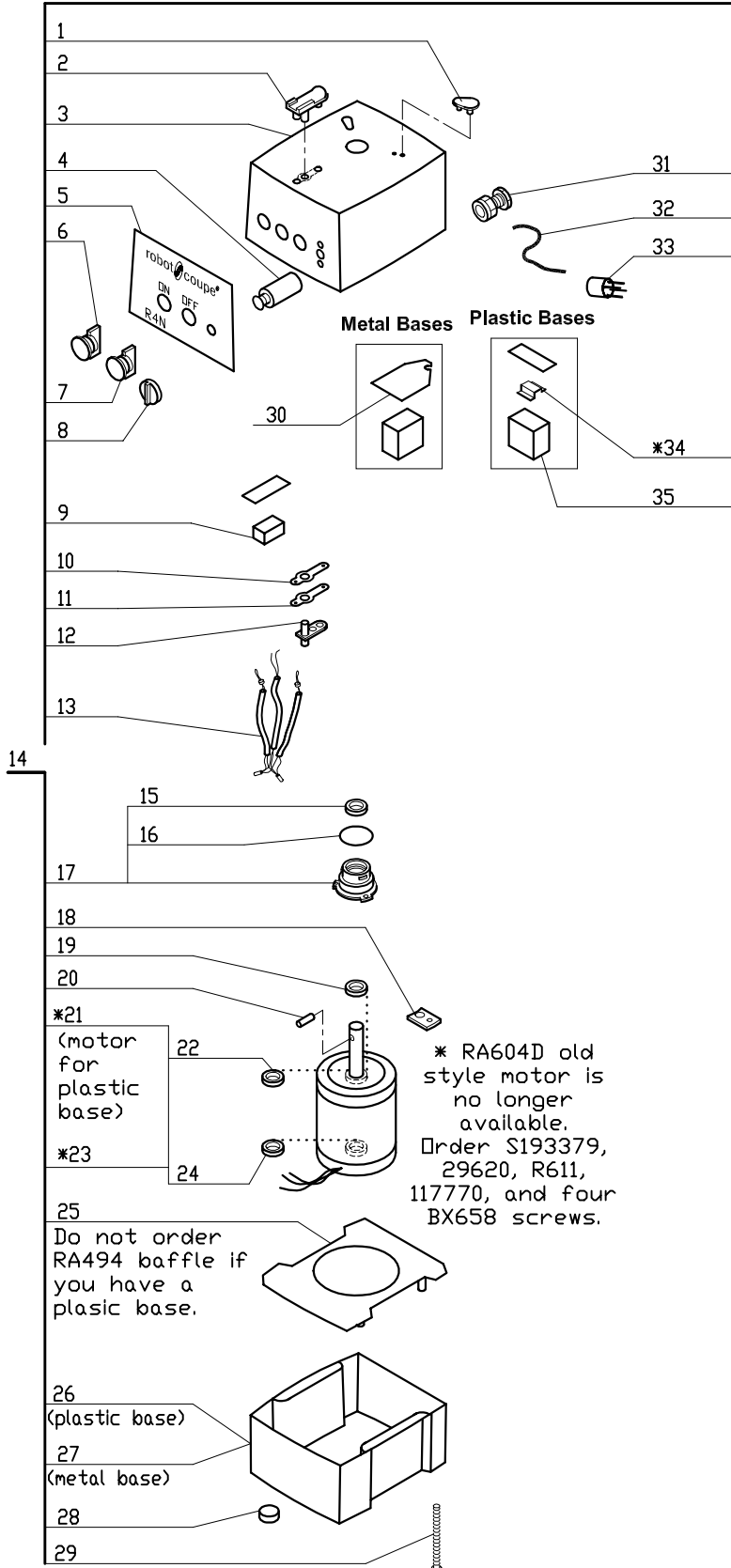
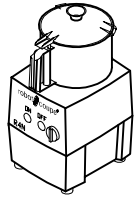
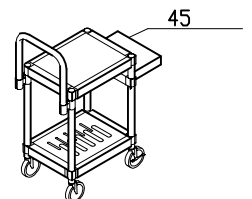


R4B Series A

Series A, Serial Numbers JAxxxxxxA
 2-Speed, 208-240 Volt, 3 Phase, 60Hz., 1 HP.
 Low Speed-850 RPM, 2.6 Amps
 High Speed- 1725 RPM, 2.8 Amps
 Use C Designated Plates.



ACCESSORIES



INDEX	REF.	DESIGNATION	Pricelist in : USD
1	RA443	Pad,Rear	
2	RA441	Support/Pad,Front	
3	RA406	Motor Support	
4	RA415	Drum Switch	
5	RA4902	Front Data Plate (R4N)	
6	RA418	Green "On" Switch Assy	
7	RA419	Red "Stop" Switch Assy	
8	RA416	Switch Knob	
9	R1090	Control Relay, Run(DPST)	
10	RA441.1	Gasket	
11	RA441.2	Metal Plate	
12	RA442	Support,Magnetic Switch	
13	C420P	Mag Swtch w/Hse (2 prl)	
14	RA470	R4N Motor Base Assy	
15	R611	Motor Support Seal	
16	RA489	O Ring, Seal Support	
17	RA467	Seal Assembly (Seal Support)	
18	RA455	Plate, Motor Mounting	
19	R604S	Seal, Motor	
20	R492A	Shaft Pin (new style)	
21	S193379	(D) Motor R4N/R6N Low-Profile	
22	R662	Bearing, Motor Top	
23	RA604D	No longer available	
24	R237	6203 Bearing R2 Top/Btm	
25	RA494	Baffle	
26	29620	(E) Plastic Base, Low Profile	
27	RA493	Base	
28	RA402	Foot	
29	BX658	Base Bolt W/Washer	
30	RA401	Plate, Relay Mounting	
31	RA490	Strain Relief	
32	R403	Cord without Plug	
33	R4904	Plug 3 Phase	
34	117770	(D) Din Rail 2"L, R4/R6 'D'	
35	R413	Voltage Relay	
36	RA420	Lid	
37	RA451	Seal,Lid	
38	RA422	* Blade Assy	
39	RA423	* Serrated Blade Assy	
40	RA472	* Bowl Assy (4 Qt)	
41	RA424	Bowl	
42	RA424.2	Pin, Bowl	
43	RA424.3	Spring, Bowl Pin	
44	RA424.4	Nut For Bowl Pin	
45	R199	* Robo-Cart	