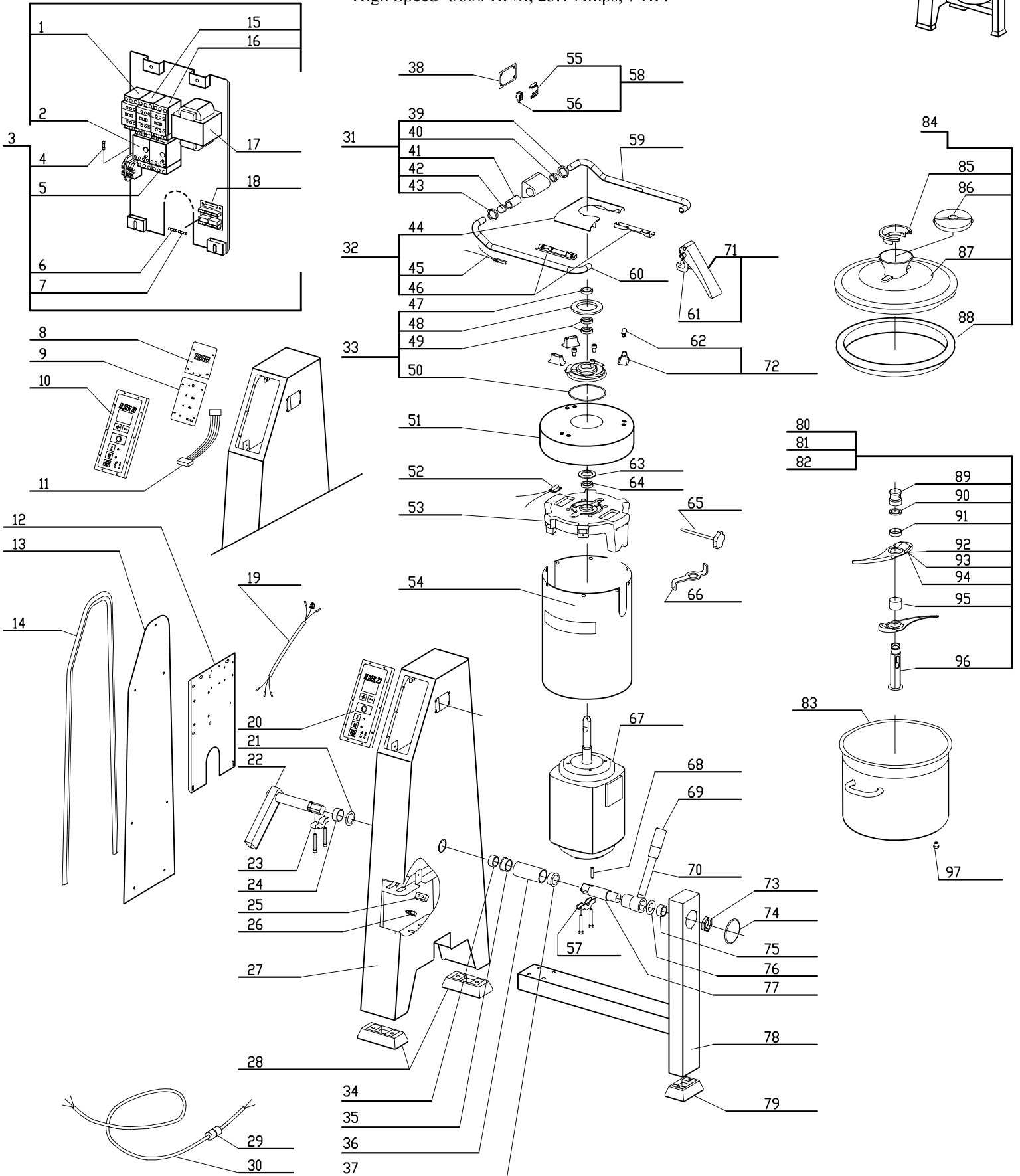
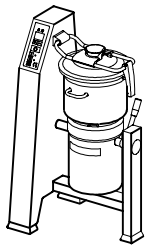


R30T

2 Speed, 208-240 Volt, 3 Phase, 60Hz.,
 Low Speed-1800 RPM, 18.6 Amps, 6 HP.
 High Speed- 3600 RPM, 23.1 Amps, 7 HP.



INDEX	REF.	DESIGNATION	Pricelist in : USD
1	503362	(DA) Contactor, R30T	
2	507203	(GA) High Spd Thermal Relay, R23T\R30T	
3	117988	(DA) Power Circuit Board, R30T	
4	500537	Primary Fuse 12/24V	
5	507203	(GA) High Spd Thermal Relay, R23T\R30T	
6	504253	(GA) Secondary Fuse	
7	504253	(GA) Secondary Fuse	
8	119218	(GA) Timer Circuit Board	
9	119217	(GA) Control Circuit Board	
10	59139	Control Panel Assembly	
11	117982	(GA) Flat Link Cable	
12	117988	(DA) Power Circuit Board, R30T	
13	117935	(GA) Casing Access Door, R23T\R30T	
14	118256	(GA) Casing Access Door Seal, R23T\R30T	
15	503362	(DA) Contactor, R30T	
16	503362	(DA) Contactor, R30T	
17	507200	(GA) Transformer, R23T\R30T\R45\	
18	117980	(GA) Connection Card	
19	118127	(GA) Safety Wiring	
20	59139	Control Panel Assembly	
21	118147	(GA) Back Thrust Washer	
22	59135	(DA) Back Tilting Pivot Assy, R30T\R45T	
23	119214	(GA) Tilting Pivot Staple	
24	118146	(GA) Back Tilting Pivot Spacer	
25	117959	(GA) Tilting Thrust	
26	507007	Tilting Safety Switch	
27	117934	(GA) Casing, R23T\R30T	
28	118186	(GA) Casing Foot	
29	59167	(DA) Power Cord Protector	
30	503266	Description NA	
31	59128	(GA) Hinge Assy	
32	59130	(GA) Lid Support Assy	
33	59133	(GA) Sealing Socket Assy, R23T\R30T	
34	118148	(GA) Back Bearing Bushing	
35	118150	(GA) Sleeve Bushing	
36	118149	(DA) Sleeve 107mm, R30T\R45T	
37	118150	(GA) Sleeve Bushing	
38	118255	(GA) Hinge Flat Seal	
39	501424	(GA) Sealing Ring 20x30	
40	118126	(GA) Bushing	
41	118253	(GA) Arm Cam	
42	118126	(GA) Bushing	
43	501424	(GA) Sealing Ring 20x30	
44	118101	(GA) Lid Support	
45	118132	(GA) Arm Reed Switch	
46	59131	(GA) Arm Clip Assy	
47	507168	(GA) Shaft Seal, R23T\R30T	
48	118153	(DA) Bowl Seal, R30,R45	
49	501105	(GA) Lip Seal, R23T\R30T	
50	507050	(DA) O-Ring, R30, R45	
51	118151	(GA) Upper Motor Cover, R23T\R30T	
52	118157	(GA) Motor Support Reed Switch	
53	59197	(GA) Motor Support Assy,R23T\R30T	
54	119296	Bottom Motor Cover	
55	118254	(GA) Switch Support	
56	501258	(GA) Safety Switch	
57	119214	(GA) Tilting Pivot Staple	
58	59127	(GA) Safety Switch Assy	
59	119206	(DA) Right Lid Tube, R30T	
60	119207	(DA) Left Lid Tube, R30T	
61	119212	(GA) Lid Hook	
62	118595	(GA) Plastic Bowl Thrust	
63	118155	(GA) Motor Deflector, R23T\R30T	

INDEX	REF.	DESIGNATION	Pricelist in : USD
64	501105	(GA) Lip Seal, R23T\R30T	
65	59950	Pin Assembly	
66	118267	(GA) Knife Tool, R23T\R30T	
67	303121	(DA) Motor, R30T	
68	208582	Pin	
69	118142	(GA) Handle	
70	59138	(GA) Locking Lever Assy, R23T\R30T\R45T	
71	59196	(GA) Lid Handle Assy	
72	59165	(GA) Bowl Thrust Assy	
73	118166	(GA) Tilting Adj Nut	
74	117956	(GA) Plug	
75	118144	(GA) Front Bearing Bushing	
76	118143	(GA) Front Thrust Washer	
77	59137	(GA) Front Tilting Pivot Assy, R23T\R30T	
78	117936	(DA) Stand, R30T	
79	117958	(GA) Stand Foot	
80	57074	Straight Knife	
81	57075	Coarse Serr. Blade	
82	57077	Fine Serr. Blade	
83	59132	* (DA) Bowl Assy, R30T	
84	59126	* (DA) Complete Lid Assy, R30T	
85	118100	(GA) Lid Guide	
86	118573	(GA) Soft Lid Cup	
87	118178	(DA) Plastic Lid, R30T	
88	119184	(DA) Lid Seal, R30T	
89	118202	(GA) Blade Locking Nut, R23T\R30T	
90	118203	(GA) Plastic Washer, R23T\R30T	
91	118201	(GA) 10mm Blade Spacer, R23T\R30T	
92	117950	Straight Blade	
93	118286	Coarse Serrated Blade	
94	118241	Fine Serrated Blade	
95	118200	(GA) 32mm Blade Spacer, R23T\R30T	
96	117930	(GA) Blade Support, R23T\R30T	
97	118171	(GA) Safety Plug	