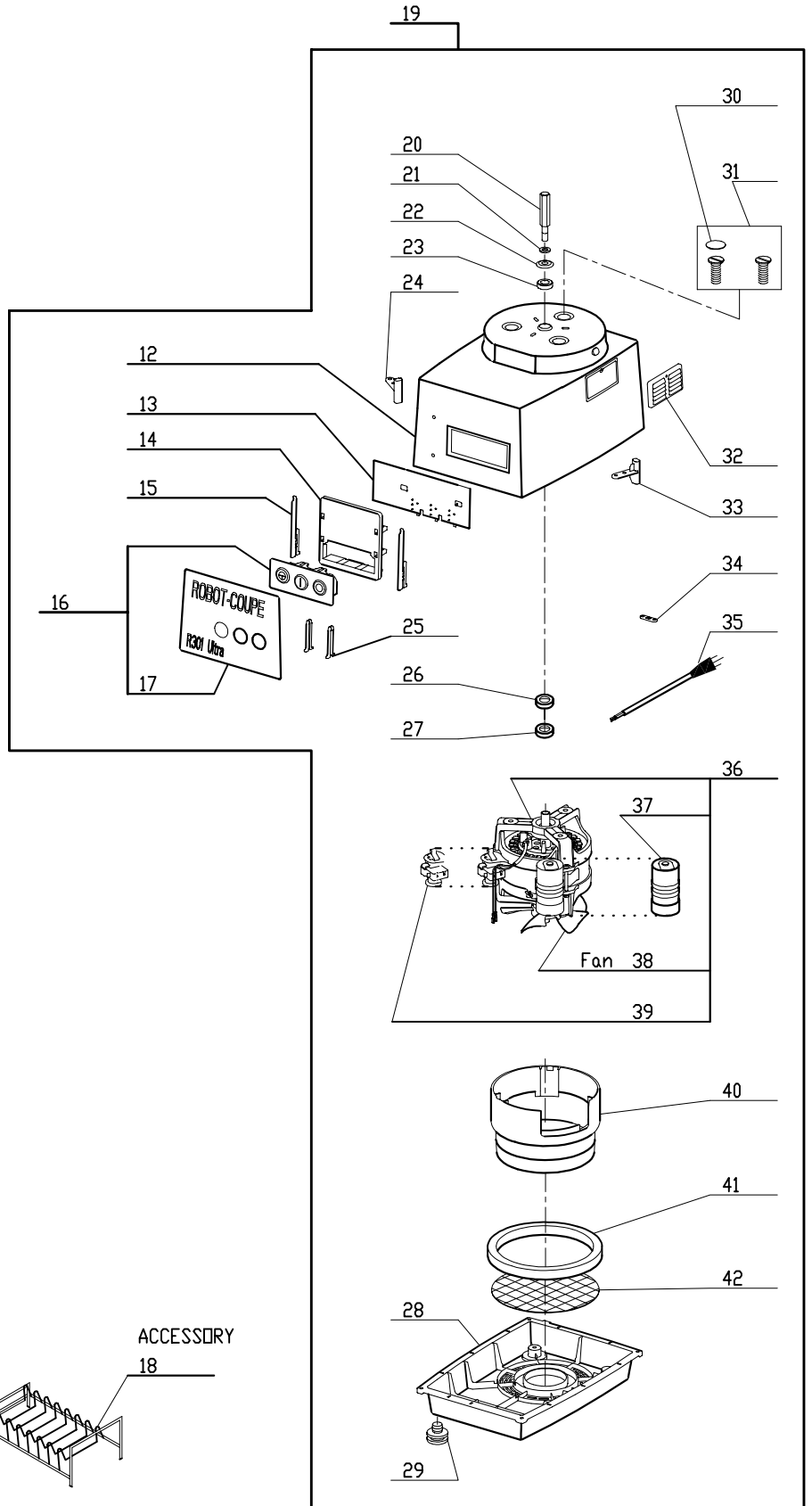
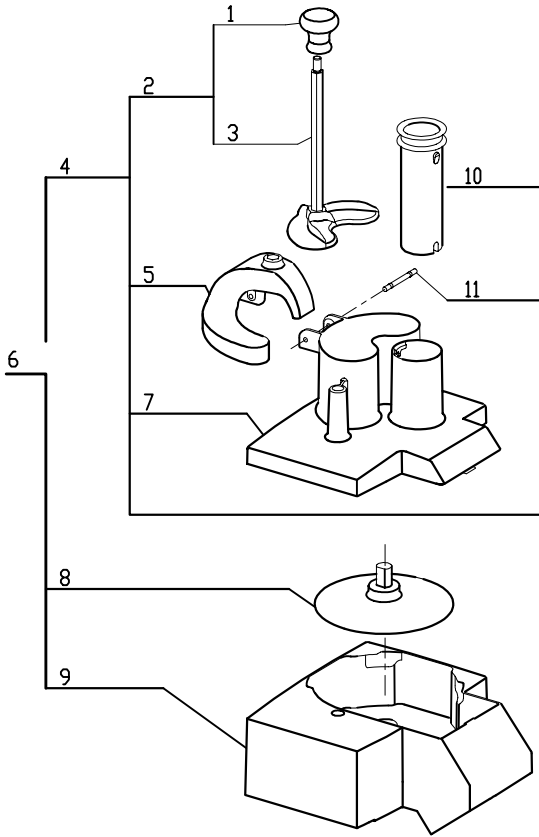
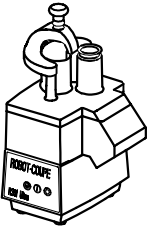


# R301 Ultra C Series C

Series C Machines # 259xxxxx03

1- Speed, 120 Volt, 1 Phase, 60Hz., 1/2 HP.  
1725 RPM, 9 Amps





## R301 Ultra C #3

INDEX	REF.	DESIGNATION	Pricelist in : USD
1	CL569	Pusher Knob	
2	29880	(C) Large Pusher Assy R300,R301U Srs "C"	
3	103703	(C) Large Pusher Only R300,R301U Srs "C"	
4	29922	(C) Cont Feed Lead Assy R300,R301U Srs C	
5	29921	(C) Pusher Guide R300,R301U Series "C"	
6	27213	* (C) Cont. Feed Kit (Series "C")	
7	103534	(C) Cont Feed Lead Only R300,R301U "C"	
8	R3090	Discharge Plate	
9	103728	(C) Cont Feed Attach. R300,R301U Srs "C"	
10	118324	(L)Small Pusher	
11	103540	(C) Pusher Pivot Pin R300,R301U Series C	
12	39080	(C) Motor Support R301U Series C	
13	103682	(C) Control Board R301U Series C	
14	102911	(C) PC Board Supp. R300,R301U Series "C"	
15	117703	(K)Control Board Retaining Pin	
16	29934	(C) Switch Panel Assy R301U Series C	
17	407572	(C) Data Plate R301U "C"	
18	R255	* Plate Rack	
19	22280	(C) Motor Base Assy R301U Series C	
20	R3064U	Shaft Extension, Motor	
21	100096	(C) Spacer R300,R301U Series C	
22	R3065U	Deflector Washer SS	
23	R3072U	Spacer	
24	29441	(C) Reed Switch, R300,R301U Series "C"	
25	102913	(C) Button Block Retainer R300,R301U "C"	
26	R1716	Motor Support Seal	
27	R1716	Motor Support Seal	
28	29984	(C) Base R301U Series C	
29	R3001	Foot, Black	
30	R3026U	Screw Cover	
31	29083	(C) Motor Support Screw Set R301U Srs C	
32	R3022	Grill	
33	29441	(C) Reed Switch, R300,R301U Series "C"	
34	R233	Strain Relief	
35	503477	(C) Power Cord R300,R301U Series C	
36	303124	(C) Motor R301U Series C	
37	R3012U	Capacitor/180MF 120/160	
38	R110.1	Fan Blade Only(R100,CL30,CL50,R300#B)	
39	R3009U	Relay MTRPH - 16/39	
40	117903	(C) Cooling Duct R301U Series C	
41	R106	Bottom Cushion Bushing	
42	103761	(C) Screen R300,R301U Series C	