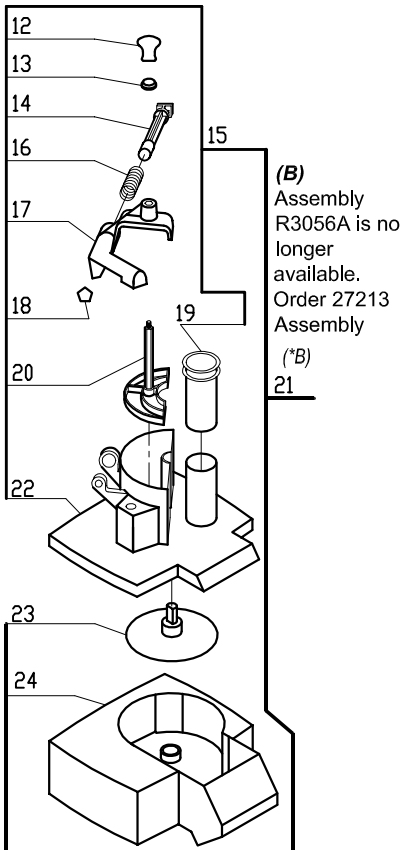
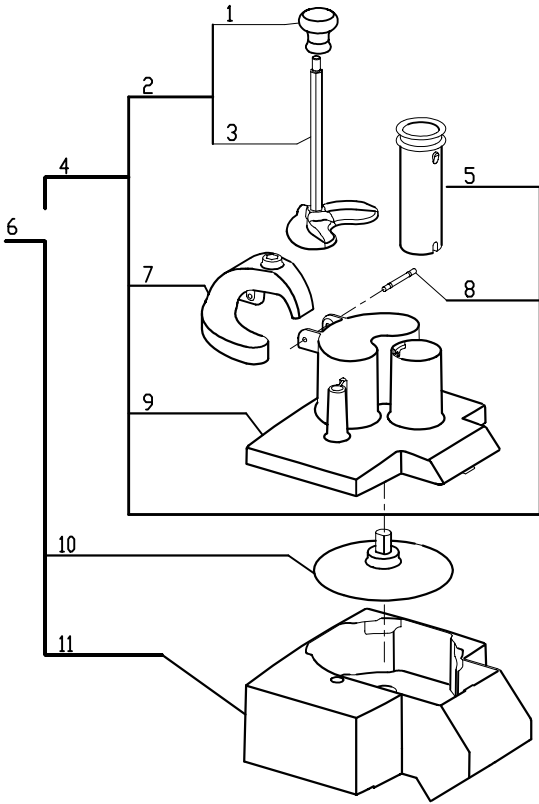
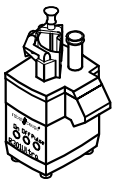


R301 Ultra C Series B

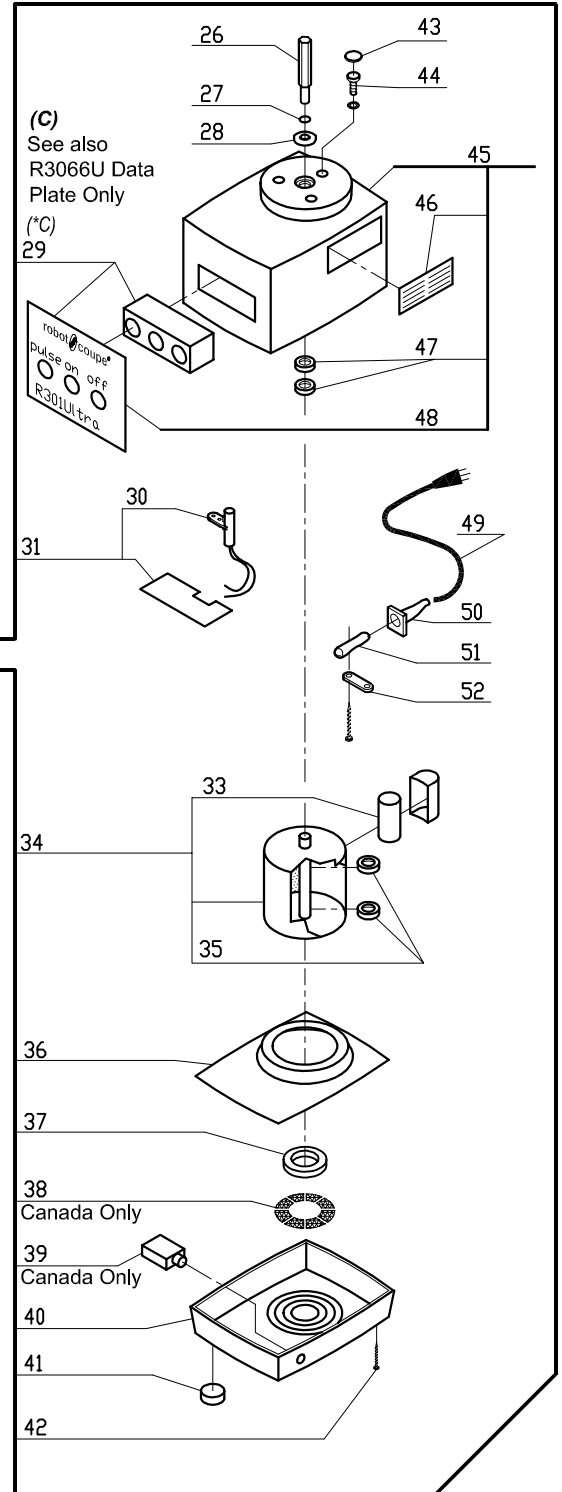
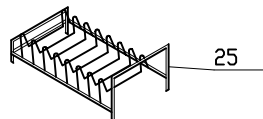
Series B Machines-Serial Numbers 109/xxxxx and up

1- Speed, 120 Volt, 1 Phase, 60Hz., 1/2 HP.

1725 RPM, 9 Amps



ACCESSORIES





R301 Ultra C #2

INDEX	REF.	DESIGNATION	Pricelist in : USD
1	CL569	Pusher Knob	
2	29880	(C) Large Pusher Assy R300,R301U Srs "C"	
3	103703	(C) Large Pusher Only R300,R301U Srs "C"	
4	29922	(C) Cont Feed Lead Assy R300,R301U Srs C	
5	118324	(L)Small Pusher	
6	27213	* (C) Cont. Feed Kit (Series "C")	
7	29921	(C) Pusher Guide R300,R301U Series "C"	
8	103540	(C) Pusher Pivot Pin R300,R301U Series C	
9	103534	(C) Cont Feed Lead Only R300,R301U "C"	
10	R3090	Discharge Plate	
11	103728	(C) Cont Feed Attach. R300,R301U Srs "C"	
12	CL569	Pusher Knob	
13	CL579	No longer available	
14	R3089	Pin, Pusher Return	
15	R3081	Cont Feed Lead w/Lg Pshr	
16	R3088	Spring, Pusher Return	
17	R3087	Hinged Bracket,Lg Pusher	
18	R3086	Retaining Clip for Pin	
19	R3082	Small Pusher	
20	R3085	Large Pusher with Rod	
21	NLA	No longer available	
22	R3058A	Cont. Feed Lead	
23	R3090	Discharge Plate	
24	R3080	Continuous Feed Attachmt	
25	R255	* Plate Rack	
26	R3064U	Shaft Extension,Motor	
27	R3072U	Spacer	
28	R3065U	Deflector Washer SS	
29	R3075U	Switch Block Assy	
30	39085	(G) Magnetic Switch Assy, BX3	
31	R3040UB	PC Board	
32	R3057U	Assembled Motor Base	
33	R222	Capacitor F/C Mtr (R2N)	
34	R3006UB	Motor (Century)	
35	R237	6203 Bearing R2 Top/Btm	
36	R3005	Baffle Plate	
37	R3004B	Btm Cushion Bushing,Cent	
38	R3072	Screen Kit (Canada Only)	
39	R286	8amp Breaker (R2ANN)	
40	R3003UA	Base w/Large Foot	
41	R3001	Foot, Black	
42	R119	Screw (Base-MS 3.9x19)	
43	R3026U	Screw Cover	
44	R3025A	Screw, MS Cent Mtr	
45	R3021UA	Motor Support (No Light)	
46	R3022	Grill	
47	R1716	Motor Support Seal	
48	R3066U	Data Plate	
49	R240	Cord with Plug	
50	R3034	Rubber Cord Sleeve	
51	R3045	Cord Protector	
52	R233	Strain Relief	