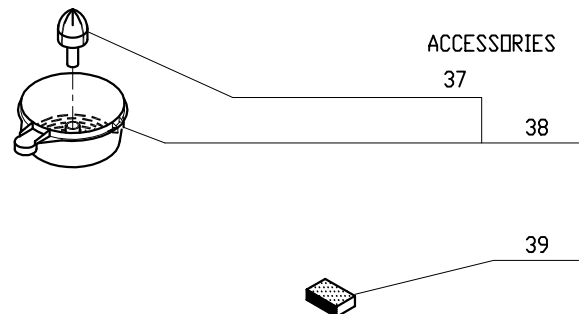
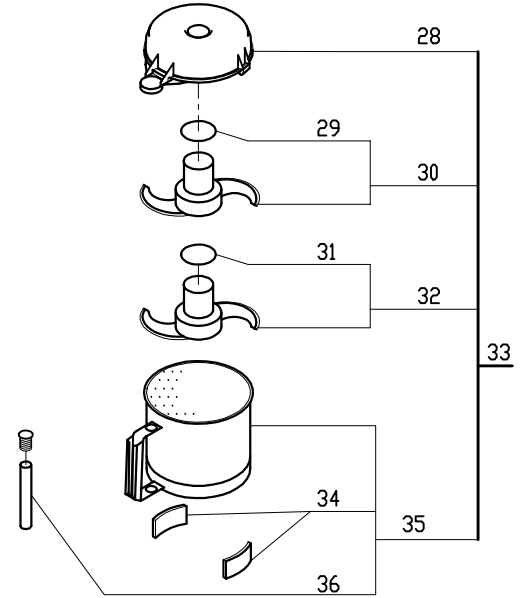
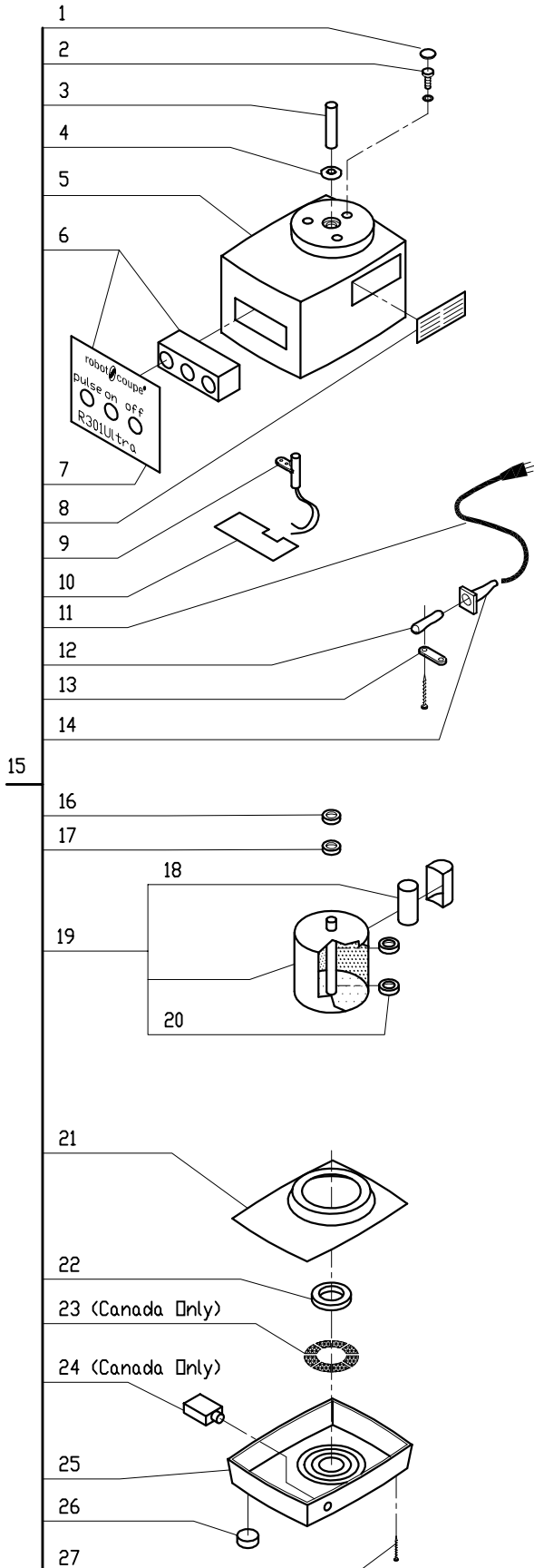
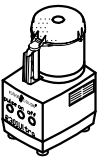


R301 Ultra B Series B

Series B Machines-Serial Numbers 109/xxxxx and up

1- Speed, 120 Volt, 1 Phase, 60Hz., 1/2 HP.

1725 RPM, 9 Amps





R301 Ultra B #2

INDEX	REF.	DESIGNATION	Pricelist in : USD
1	R3031N	Bowl Lid (New Style)	
2	R3032S	* Bowl Kit (S. Steel)	
3	R3030	Cap Only, R301 S. Blade	
4	R3029	* S Blade (Straight)	
5	R3028SS	Bowl/Stainles Steel	
6	R3069U	Lckg Bush Set w/Screws	
7	R3071UA	Bowl Rod w/Press Fit Caps	
8	R3091.1	Juicer Cone	
9	R3091	* Juicer Kit	
10	R248	Honing Stone	
11	R3030	Cap Only, R301 S. Blade	
12	27135	* (C) Fine Serr. Blade R300,R301U "C"	
13	R3064U	Shaft Extension, Motor	
14	R3072U	Spacer	
15	R3065U	Deflector Washer SS	
16	R3075U	Switch Block Assy	
17	39085	(G) Magnetic Switch Assy, BX3	
18	R3040UB	PC Board	
19	R3057U	Assembled Motor Base	
20	R222	Capacitor F/C Mtr (R2N)	
21	R3006UB	Motor (Century)	
22	R237	6203 Bearing R2 Top/Btm	
23	R3005	Baffle Plate	
24	R3004B	Btm Cushion Bushing, Cent	
25	R3072	Screen Kit (Canada Only)	
26	R286	8amp Breaker (R2ANN)	
27	R3003UA	Base w/Large Foot	
28	R3001	Foot, Black	
29	R119	Screw (Base-MS 3.9x19)	
30	R3026U	Screw Cover	
31	R3025A	Screw, MS Cent Mtr	
32	R3021UA	Motor Support (No Light)	
33	R3022	Grill	
34	R1716	Motor Support Seal	
35	R3066U	Data Plate	
36	R240	Cord with Plug	
37	R3034	Rubber Cord Sleeve	
38	R3045	Cord Protector	
39	R233	Strain Relief	