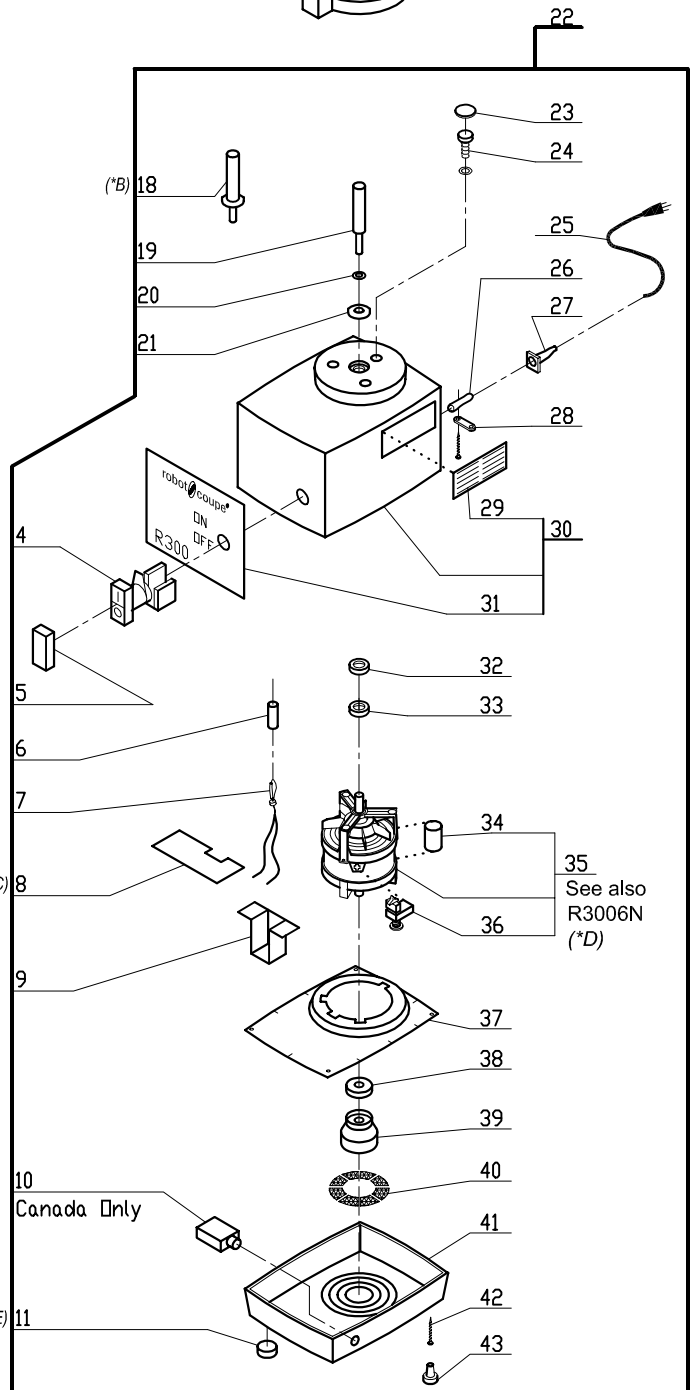
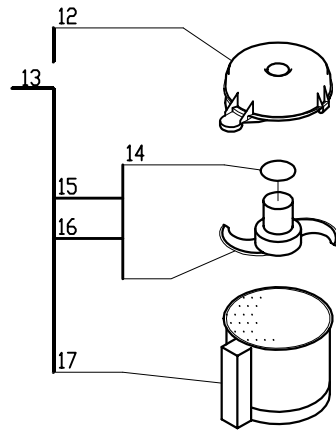
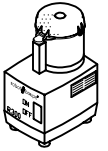


To Serial Number FP002243. Also Ser. Numbers 34/xxxxx

1-Speed, 120 Volt, 1 Phase, 60Hz., 1/2 HP.

1725 RPM, 9 Amps



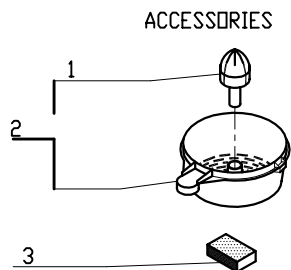
(*B) Plastic shaft cover is still available for machines 12/xxxxx

(*C) Part number R3040 comes complete with magnetic switch.

(*D) R3006N motor with plastic shaft cover R3024 is no longer available. Use a R3006U motor with R3064U shaft, R3065U deflector, R240 power cord, R3034 strain relief, and R3045 cord protector.

The R3006UB motor and the R3006K motor conversion kit cannot be used on R300 models.

(*E) After serial number 34/36801 use R101 white foot.



**R300B #1**

INDEX	REF.	DESIGNATION	Pricelist in : USD
1	R3091.1	Juicer Cone	
2	R3091	* Juicer Kit	
3	R248	Honing Stone	
4	R3018	On/Off Switch	
5	R3018C	Cover, Plastic	
6	R3039	Ribbed Coupler	
7	R3061	Magnetic Switch/R122AA	
8	R3040	Electrical Board	
9	R3060	Shield	
10	R286	8amp Breaker (R2ANN)	
11	R101	Foot	
12	R3031N	Bowl Lid (New Style)	
13	R3032N	* Bowl Kit (New Style)	
14	R3030	Cap Only, R301 S. Blade	
15	R3029	* S Blade (Straight)	
16	27135	* (C) Fine Serr. Blade R300,R301U "C"	
17	R3028N	Plastic Bowl	
18	R1718	Shaft Cover	
19	R3064U	Shaft Extension, Motor	
20	R3072U	Spacer	
21	R3065U	Deflector Washer SS	
22	R3057	Assembled Motor Base	
23	R3026	Screw Cover	
24	R3025	Motor Support Screw	
25	R240	Cord with Plug	
26	R3045	Cord Protector	
27	R3034	Rubber Cord Sleeve	
28	R233	Strain Relief	
29	R3022	Grill	
30	R3021	Motor Support	
31	R3020	Front Data Plate	
32	R1716	Motor Support Seal	
33	R1716	Motor Support Seal	
34	R3012U	Capacitor/180MF 120/160	
35	R3006U	MMotor	
36	R3009U	Relay MTRPH - 16/39	
37	R3005N	Baffle Plate	
38	R3004N	Bottom Cushion Bushing	
39	R3007N	Btm Cushion Bush Support	
40	R3072	Screen Kit (Canada Only)	
41	R3003UA	Base w/Large Foot	
42	R3002	Base Screws	
43	R1701	Foot	