

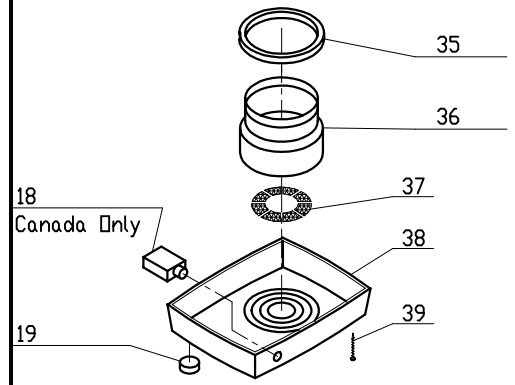
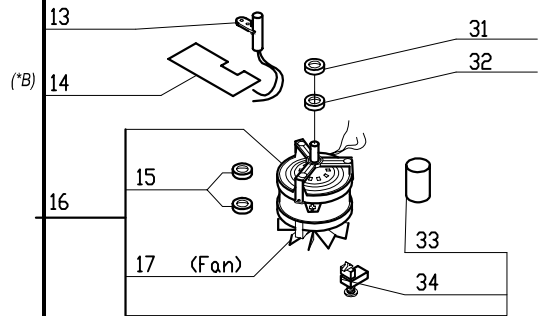
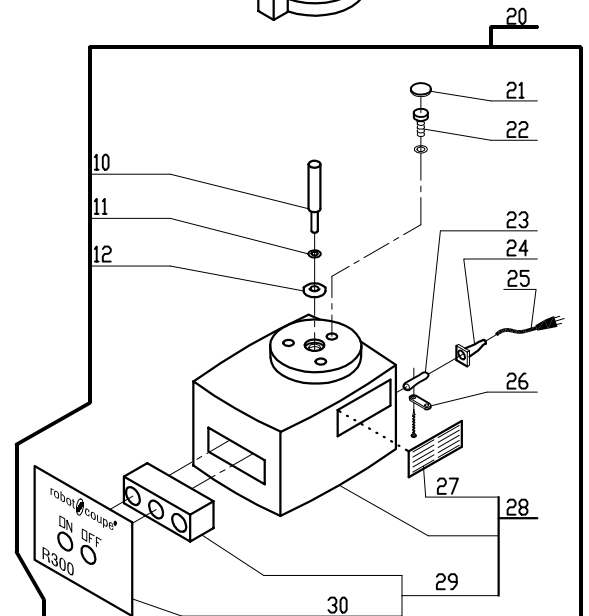
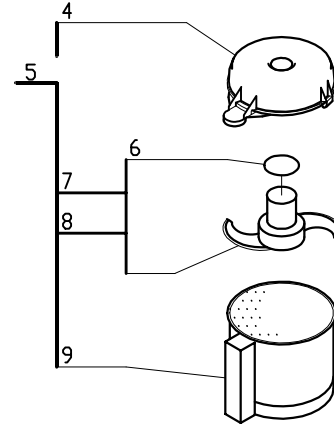
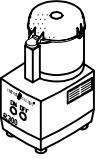
R300 B Series B

Series B Machines-Serial Numbers FP002243 and up.

Also Ser. Numbers 106/xxxx

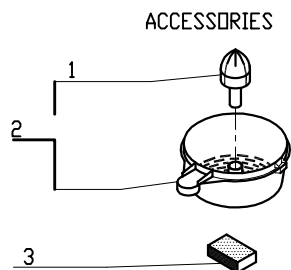
1-Speed, 120 Volt, 1 Phase, 60Hz., 1/2 HP.

1725 RPM, 9 Amps



(*A) No Longer Available.

(*B) Part number R3040B comes complete with magnetic switch.





R300B #2

INDEX	REF.	DESIGNATION	Pricelist in : USD
1	R3091.1	Juicer Cone	
2	R3091	* Juicer Kit	
3	R248	Honing Stone	
4	R3031N	Bowl Lid (New Style)	
5	R3032N	* Bowl Kit (New Style)	
6	R3030	Cap Only, R301 S. Blade	
7	R3029	* S Blade (Straight)	
8	27135	* (C) Fine Serr. Blade R300,R301U "C"	
9	R3028N	Plastic Bowl	
10	R3064U	Shaft Extension, Motor	
11	R3072U	Spacer	
12	R3065U	Deflector Washer SS	
13	R3061A	Switch w/Housing	
14	R3040B	PC Board (R300 Series B)	
15	R1715	6201 Bearing	
16	R3006A	Motor (B) (Fan Opp Shaft)	
17	R110.1	Fan Blade Only(R100,CL30,CL50,R300#B)	
18	R4911	Circuit Breaker/R4X/10A	
19	R3001	Foot, Black	
20	R3057	Assembled Motor Base	
21	R3026	Screw Cover	
22	R3025	Motor Support Screw	
23	R3045	Cord Protector	
24	R3034	Rubber Cord Sleeve	
25	R240	Cord with Plug	
26	R233	Strain Relief	
27	R3022	Grill	
28	R3021A	Motor Support(R300 Series B)	
29	R3019	On/Off Switch Assy(R300 Series B)	
30	R3020A	Data Plate(R300 Series B)	
31	R1716	Motor Support Seal	
32	R1716	Motor Support Seal	
33	R3012U	Capacitor/180MF 120/160	
34	R3009U	Relay MTRPH - 16/39	
35	R3004A	Seal, Baffle	
36	R3005A	Baffle(Round)	
37	R3072	Screen Kit (Canada Only)	
38	R3003UA	Base w/Large Foot	
39	R119	Screw (Base-MS 3.9x19)	