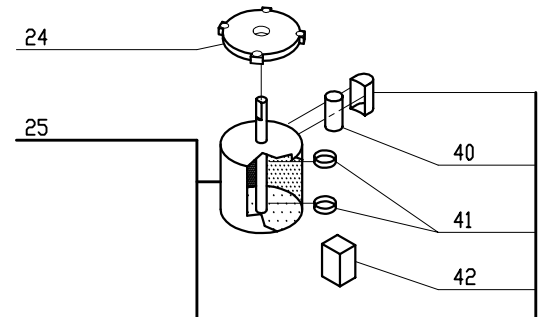
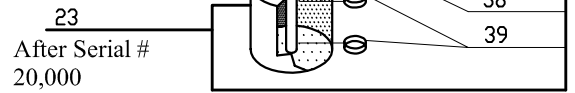
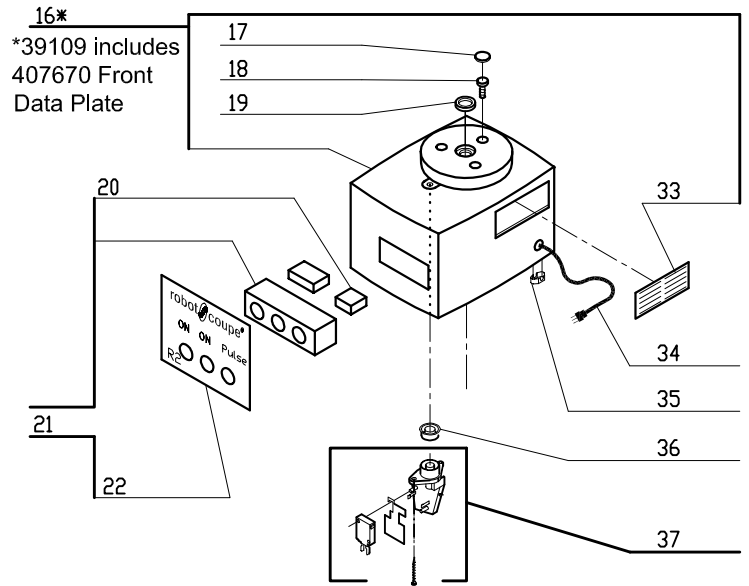
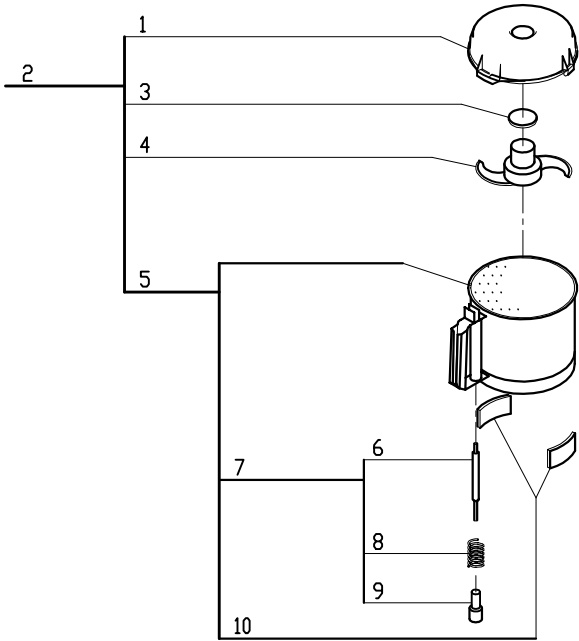
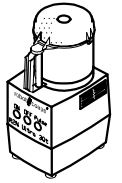
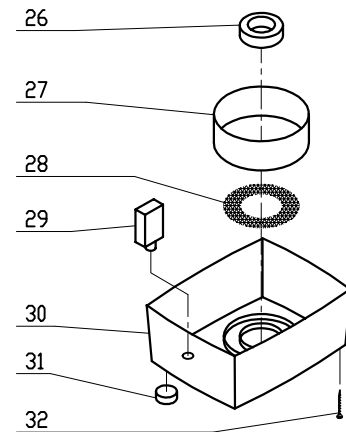
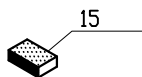
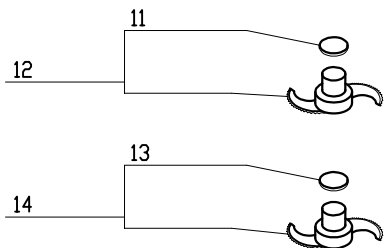


R2 Ultra B (3 Quart)

Serial Number Series- 247xxxxx03
 1- Speed, 120 Volt, 1 Phase, 60Hz., 1 HP.
 1725 RPM, 7 Amps



ACCESSORIES





R2 Ultra B #3

INDEX	REF.	DESIGNATION	Pricelist in : USD
1	R204	Cutter Bowl Lid	
2	27243	* (B) R2U S.S. Bowl Kit, 3qt	
3	R3030	Cap Only, R301 S. Blade	
4	R203	* Blade	
5	104099	(B) R2U S.S. Bowl Only,3qt	
6	104098	(B) Pin, 3qt S.S. Bowl	
7	Number NA	Description NA	
8	R1776	Spring	
9	104050	(B) Retaining Nut	
10	R289	Lckg Bush Set w/Screws	
11	R3030	Cap Only, R301 S. Blade	
12	R203D	* S Blade, Fine Serration	
13	R3030	Cap Only, R301 S. Blade	
14	R203E	* S. Blade Coarse Serrations	
15	R248	Honing Stone	
16	39109	(B) R2U Motor Support, 3qt	
17	R262	Screw Cover	
18	R232A	Screw (Motor - MS)	
19	R118	Motor Support Seal	
20	R274	Pulse Switch	
21	39107	(B) R2U Switch Assy, 3qt	
22	407670	(B) Front Data Plate R2U,3qt	
23	R239	Mtr F/C 1/3HP 115V/6HZ	
24	R239D.3	Adapter Plate, EM	
25	R239D	Motor, EM	
26	R265	Bottom Cushion Bushing	
27	R278A	Baffle	
28	R277A	Screen Kit	
29	R286	8amp Breaker (R2ANN)	
30	104124	(B) R2 Base, Gray	
31	R101	Foot	
32	R119	Screw (Base-MS 3.9x19)	
33	R276A	Louvre (mtl) W/Rivits	
34	R240	Cord with Plug	
35	R104	Strain Relief	
36	R225	Rubber O Ring (Black)	
37	R115K	Safety Switch Assembly	
38	R222	Capacitor F/C Mtr (R2N)	
39	R237	6203 Bearing R2 Top/Btm	
40	R239D.2	Capacitor	
41	R237	6203 Bearing R2 Top/Btm	
42	R239D.1	Relay	