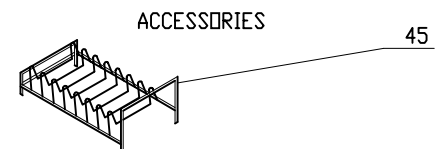
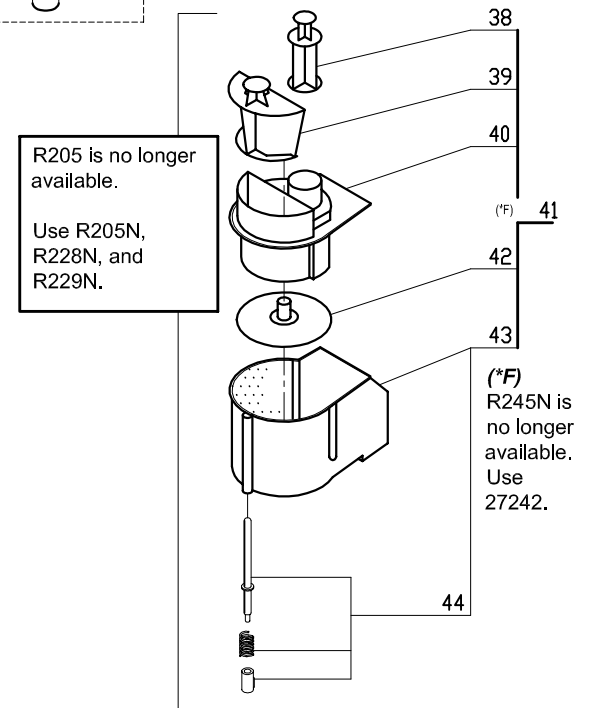
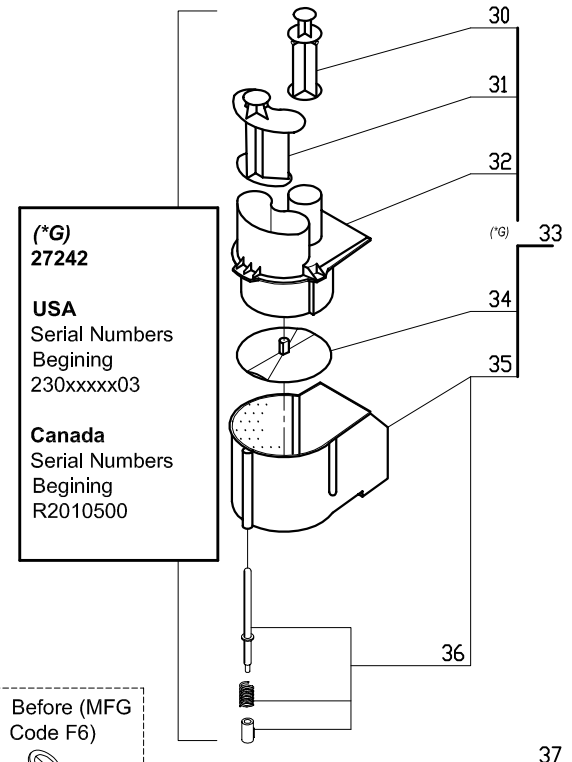
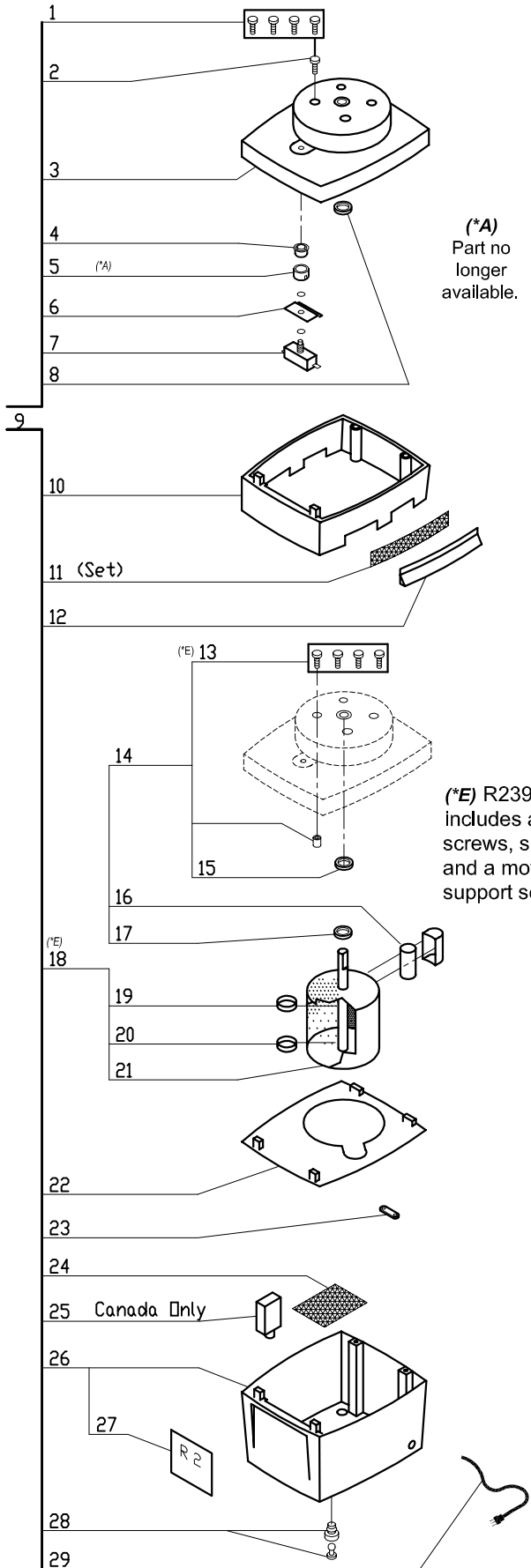
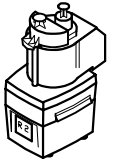


R2C (old style)

Old Style Machines-Machines with no push buttons

1-Speed, 120 Volt, 1 Phase, 60Hz., 1/2 HP.

1725 RPM, 7 Amps



INDEX	REF.	DESIGNATION	Pricelist in : USD
1	R232K	R2 Screw Kit	
2	R232	Motor Support Screw	
3	R231	Motor Support	
4	R225	Rubber O Ring (Black)	
5	R254	***NLA***Plastic Sleeve	
6	R224	Switch Plate	
7	R223	Safety Switch	
8	R238	Motor Support Seal	
9	R246	Asmbld Mtr Base F/C 1/3H	
10	R275	Spacer	
11	R277	Screen Kit	
12	R276	Louvre	
13	R232K	R2 Screw Kit	
14	R239K.1	Seal & Hdwe Kit	
15	R238	Motor Support Seal	
16	R222	Capacitor F/C Mtr (R2N)	
17	R239S	Motor Seal (Gould,Cntry)	
18	R239K	Motor Kit w/Seal & Hdwe	
19	R237	6203 Bearing R2 Top/Btm	
20	R237	6203 Bearing R2 Top/Btm	
21	R239	Mtr F/C 1/3HP 115V/6HZ	
22	R278	Baffle	
23	R233	Strain Relief	
24	R277	Screen Kit	
25	R286	8amp Breaker (R2ANN)	
26	R201	Base	
27	R230	Front Data Plate	
28	R226A	Foot w/Plug	
29	R240	Cord with Plug	
30	103281	(B) Small Pusher	
31	103280	(B) Large Pusher	
32	118592	(B) R2 Cont Feed Lead, Gray (replaces white)	
33	27242	* (B) R2N Cont Feed Kit, Gray	
34	103288	(B)Discharge Plate	
35	102699	(B) R2 Cont Feed Attach, Gray	
36	R242	Pin Assy for Plastic Bowl	
37	R229	Small Vegetable Pusher	
38	R229N	Small Vegetable Pusher	
39	R228N	Large Vegetable Pusher	
40	R205N	Continuous Feed Lead	
41	R245N	No Longer Available use 27242	
42	103288	(B)Discharge Plate	
43	102699	(B) R2 Cont Feed Attach, Gray	
44	R242	Pin Assy for Plastic Bowl	
45	R255	* Plate Rack	