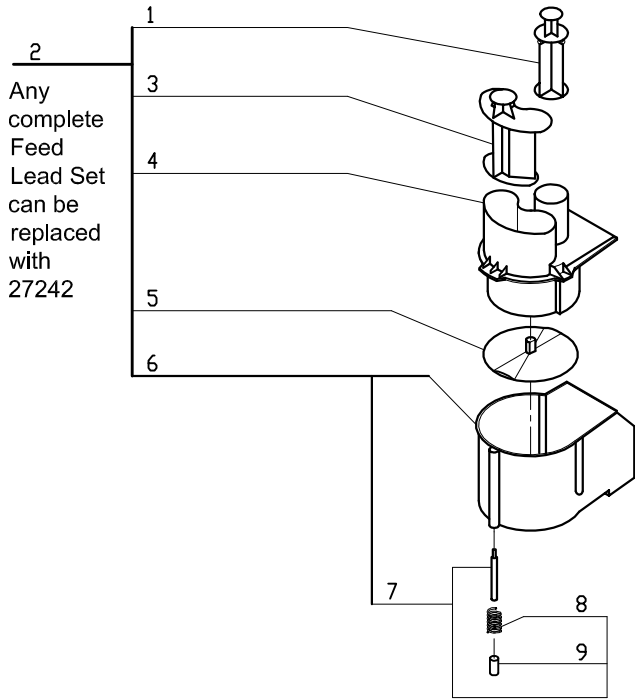
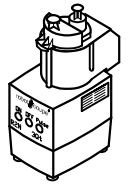
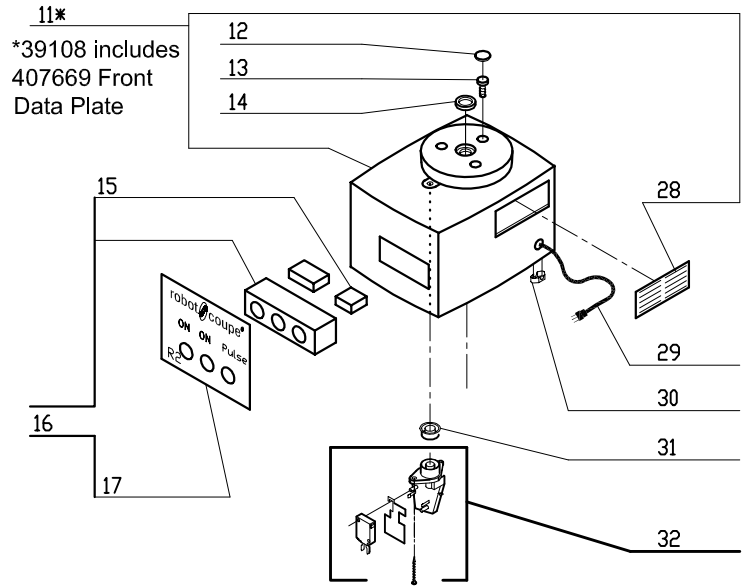


Serial Numbers-246xxxxx03

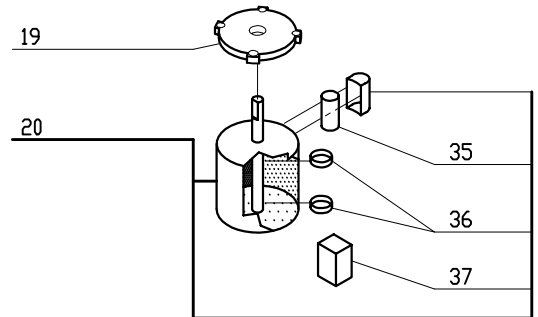
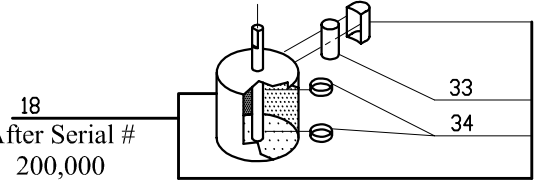
1-Speed, 120 Volt, 1 Phase, 60Hz., 1/2 HP.
1725 RPM, 7 Amps



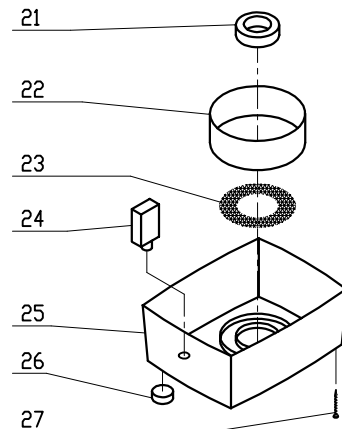
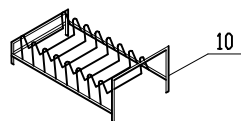
Any complete Feed Lead Set can be replaced with 27242



18
After Serial # 200,000



ACCESSORIES



INDEX	REF.	DESIGNATION	Pricelist in : USD
1	103281	(B) Small Pusher	
2	27242	* (B) R2N Cont Feed Kit, Gray	
3	103280	(B) Large Pusher	
4	118592	(B) R2 Cont Feed Lead, Gray (replaces white)	
5	103288	(B) Discharge Plate	
6	102699	(B) R2 Cont Feed Attach, Gray	
7	R242	Pin Assy for Plastic Bowl	
8	R1776	Spring	
9	Number NA	Description NA	
10	R255	* Plate Rack	
11	39108	(B) R2N Motor Support, 3qt	
12	R262	Screw Cover	
13	R232A	Screw (Motor - MS)	
14	R118	Motor Support Seal	
15	R274	Pulse Switch	
16	39106	(B) R2N Switch Assy, 3qt	
17	407669	(B) Frant Data Plate R2N, 3qt	
18	R239	Mtr F/C 1/3HP 115V/6HZ	
19	R239D.3	Adapter Plate, EM	
20	R239D	Motor, EM	
21	R265	Bottom Cushion Bushing	
22	R278A	Baffle	
23	R277A	Screen Kit	
24	R286	8amp Breaker (R2ANN)	
25	104124	(B) R2 Base, Gray	
26	R101	Foot	
27	R119	Screw (Base-MS 3.9x19)	
28	R276A	Louvre (mtl) W/Rivits	
29	R240	Cord with Plug	
30	R104	Strain Relief	
31	R225	Rubber O Ring (Black)	
32	R115K	Safety Switch Assembly	
33	R222	Capacitor F/C Mtr (R2N)	
34	R237	6203 Bearing R2 Top/Btm	
35	R239D.2	Capacitor	
36	R237	6203 Bearing R2 Top/Btm	
37	R239D.1	Relay	