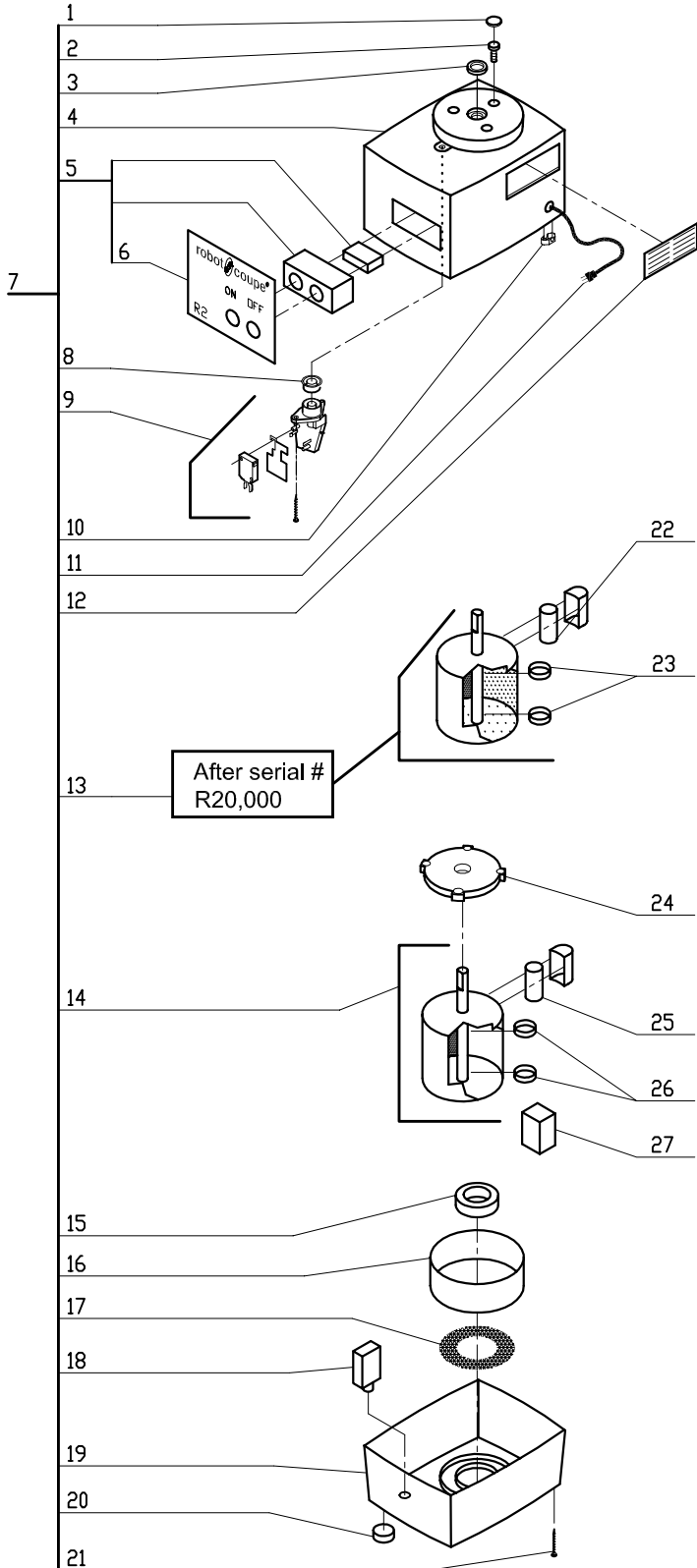
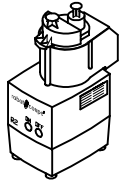


Serial Number Series-R2xxxxx Also,-230xxxxx03

1-Speed, 120 Volt, 1 Phase, 60Hz., 1/2 HP.

1725 RPM, 7 Amps

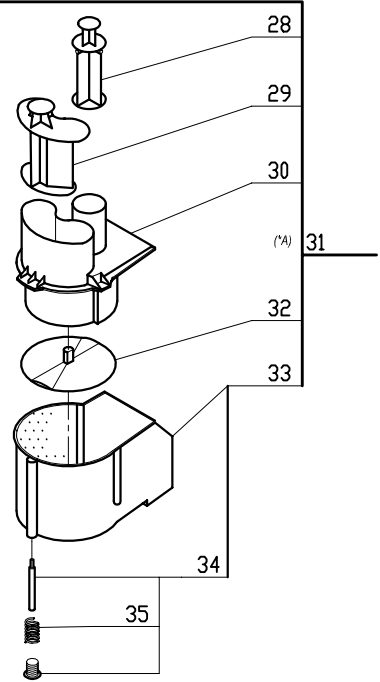


After serial #
R20,000

(*A)
USA
Serial Numbers
Beginning 230xxxxx03

Canada
Serial Numbers Beginning
R2010499

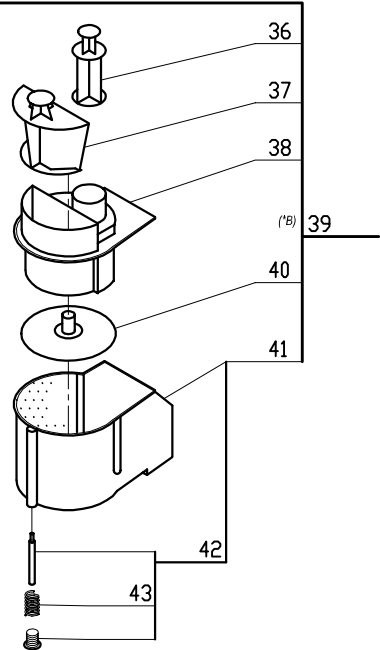
Any complete Feed Lead Set
can be replaced with 27242



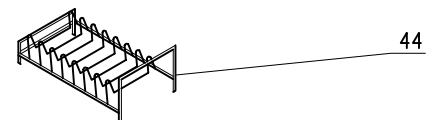
R245N
(USA)
Serial Numbers
R2xxxxx

(Canada)
to Serial #
R2010499

(*B)
R245N is
no longer
available.
Use
27242.



ACCESSORIES





R2C #2

INDEX	REF.	DESIGNATION	Pricelist in : USD
1	R262	Screw Cover	
2	R232A	Screw (Motor - MS)	
3	R118	Motor Support Seal	
4	39108	(B) R2N Motor Support, 3qt	
5	R264	On/Off Switch Assy	
6	R230A	Front Data Plate	
7	R246	Asmbl'd Mtr Base F/C 1/3H	
8	R225	Rubber O Ring (Black)	
9	R115K	Safety Switch Assembly	
10	R104	Strain Relief	
11	R240	Cord with Plug	
12	R276A	Louvre (mtl) W/Rivits	
13	R239	Mtr F/C 1/3HP 115V/6HZ	
14	R239D	Motor, EM	
15	R265	Bottom Cushion Bushing	
16	R278A	Baffle	
17	R277A	Screen Kit	
18	R286	8amp Breaker (R2ANN)	
19	104124	(B) R2 Base, Gray	
20	R101	Foot	
21	R119	Screw (Base-MS 3.9x19)	
22	R222	Capacitor F/C Mtr (R2N)	
23	R237	6203 Bearing R2 Top/Btm	
24	R239D.3	Adapter Plate, EM	
25	R239D.2	Capacitor	
26	R237	6203 Bearing R2 Top/Btm	
27	R239D.1	Relay	
28	103281	(B) Small Pusher	
29	103280	(B) Large Pusher	
30	118592	(B) R2 Cont Feed Lead, Gray (replaces white)	
31	27242	* (B) R2N Cont Feed Kit, Gray	
32	103288	(B) Discharge Plate	
33	102699	(B) R2 Cont Feed Attach, Gray	
34	R242	Pin Assy for Plastic Bowl	
35	R1776	Spring	
36	R229N	Small Vegetable Pusher	
37	R228N	Large Vegetable Pusher	
38	R205N	Continuous Feed Lead	
39	R245N	No Longer Available use 27242	
40	103288	(B) Discharge Plate	
41	102699	(B) R2 Cont Feed Attach, Gray	
42	R242	Pin Assy for Plastic Bowl	
43	R1776	Spring	
44	R255	* Plate Rack	