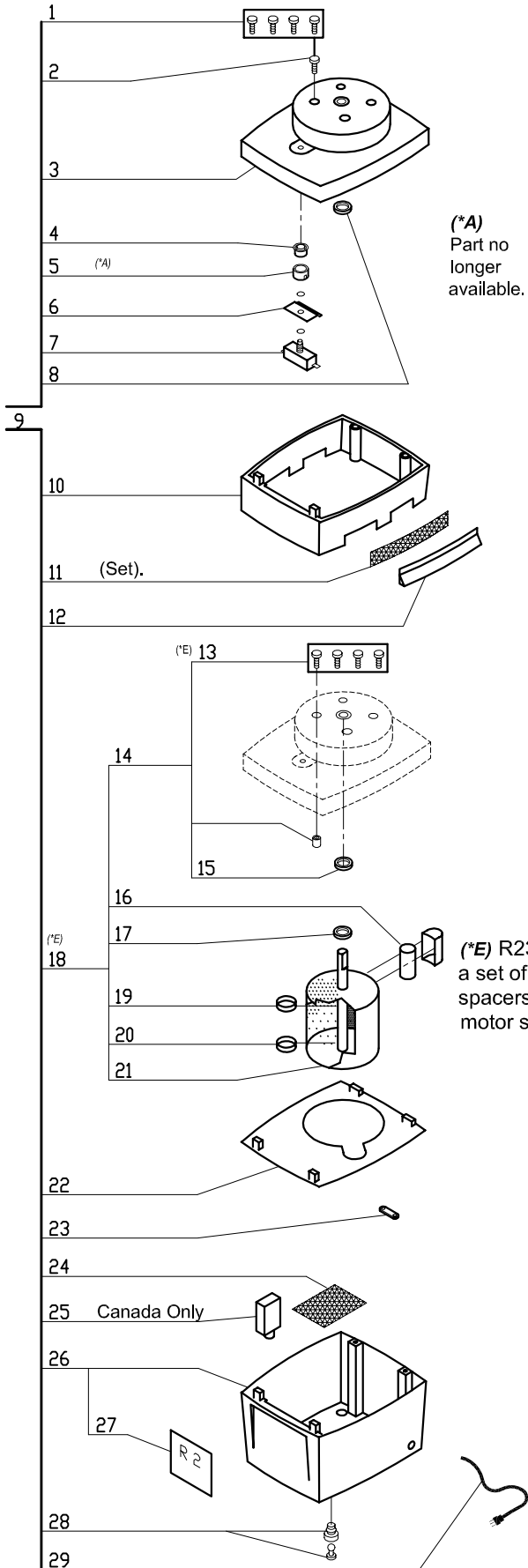
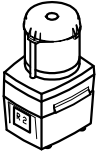


R2B (old style)

Old Style Machines-Machines with no push buttons

1-Speed, 120 Volt, 1 Phase, 60Hz., 1/2 HP.

1725 RPM, 7 Amps

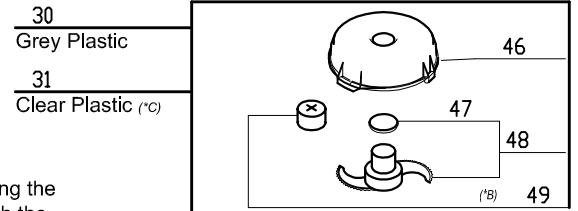


(*A)
Part no
longer
available.

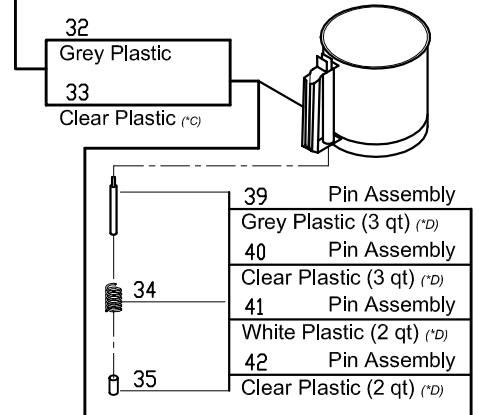
(*C)
If ordering the
R2N with the
clear bowl,
order model
number
R2NCLR.

(*C)
If ordering the
R2B (bowl
only) with the
clear bowl,
order model
number
R2BCLR

(*E) R239K includes
a set of screws,
spacers, and a
motor support seal.



(*B) Rubber blade seal R287 is
only for machines manufactured
1993 and before.

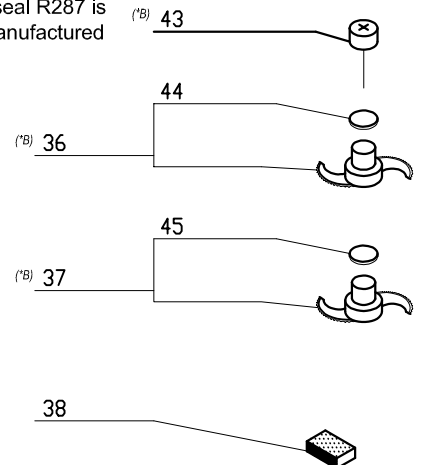


(*D) 3 Quart bowls have
a handle and are 6
inches tall.

(*D) The 2 Quart bowls
(NLA) do not have a
handle and are 5 1/4
inches tall.

ACCESSORIES

(*B) Rubber blade seal R287 is
only for machines manufactured
1993 and before.



INDEX	REF.	DESIGNATION	Pricelist in : USD
1	R232K	R2 Screw Kit	
2	R232	Motor Support Screw	
3	R231	Motor Support	
4	R225	Rubber O Ring (Black)	
5	R254	***NLA****Plastic Sleeve	
6	R224	Switch Plate	
7	R223	Safety Switch	
8	R238	Motor Support Seal	
9	R246	Asmbld Mtr Base F/C 1/3H	
10	R275	Spacer	
11	R277	Screen Kit	
12	R276	Louvre	
13	R232K	R2 Screw Kit	
14	R239K.1	Seal & Hdwe Kit	
15	R238	Motor Support Seal	
16	R222	Capacitor F/C Mtr (R2N)	
17	R239S	Motor Seal (Gould,Cntry)	
18	R239K	Motor Kit w/Seal & Hdwe	
19	R237	6203 Bearing R2 Top/Btm	
20	R237	6203 Bearing R2 Top/Btm	
21	R239	Mtr F/C 1/3HP 115V/6HZ	
22	R278	Baffle	
23	R233	Strain Relief	
24	R277	Screen Kit	
25	R286	8amp Breaker (R2ANN)	
26	R201	Base	
27	R230	Front Data Plate	
28	R226A	Foot w/Plug	
29	R240	Cord with Plug	
30	27239	* (B) R2N Bowl Kit 3qt. Gray	
31	27240	* (B) R2N Clear Bowl Kit, 3qt.	
32	112204	(B) R2N Gray Bowl Only, 3qt	
33	112203	(B) R2N Clear Bowl Only, 3qt	
34	R1776	Spring	
35	Number NA	Description NA	
36	R203D	* S Blade, Fine Serration	
37	R203E	* S. Blade Coarse Serrations	
38	R248	Honing Stone	
39	39103	(B) Pin Assy, R2N 3qt Gray	
40	39077	(B) Pin Assy R2N 3qt. Clear Bowl	
41	R242	Pin Assy for Plastic Bowl	
42	29900	(A) Safety Rod Assy	
43	R287	S Blade Seal	
44	R3030	Cap Only, R301 S. Blade	
45	R3030	Cap Only, R301 S. Blade	
46	R204	Cutter Bowl Lid	
47	R3030	Cap Only, R301 S. Blade	
48	R203	* Blade	
49	R287	S Blade Seal	