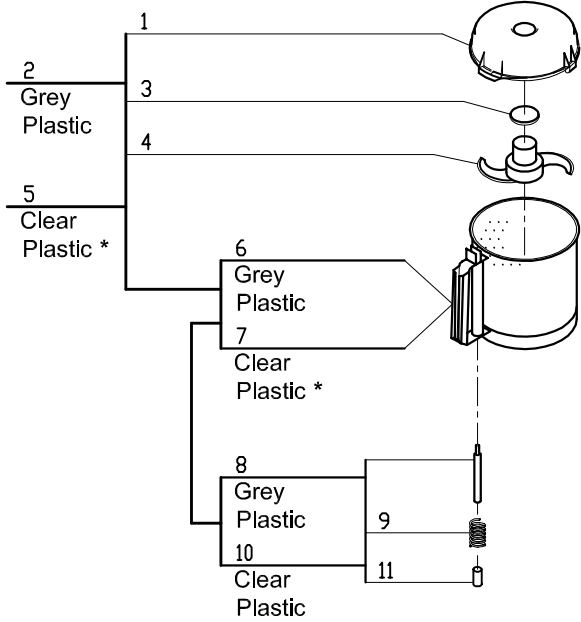
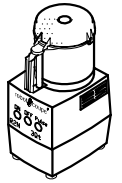


R2B (3 Quart)

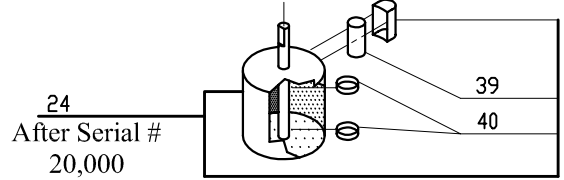
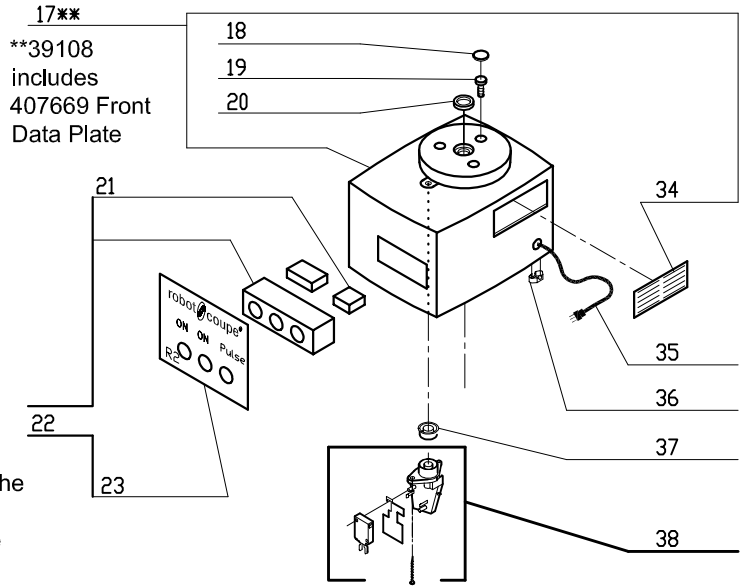
Serial Numbers-246xxxxx03

1-Speed, 120 Volt, 1 Phase, 60Hz., 1/2 HP.

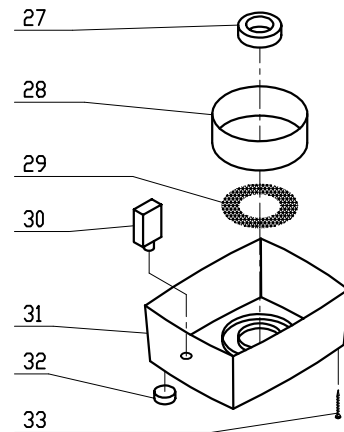
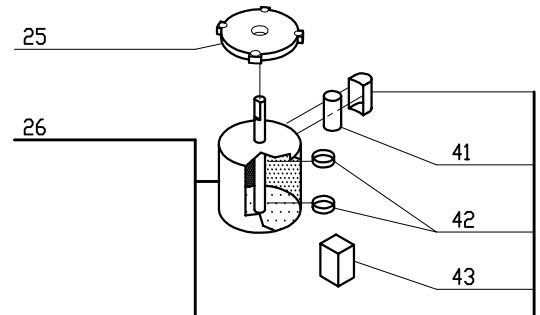
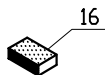
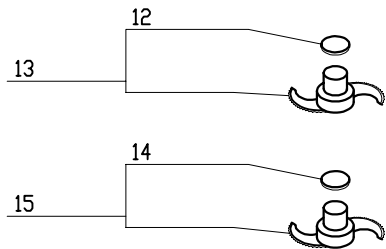
1725 RPM, 7 Amps



* If ordering the R2B (bowl only) with the clear bowl, order model number R2BCLR



ACCESSORIES



INDEX	REF.	DESIGNATION	Pricelist in : USD
1	R204	Cutter Bowl Lid	
2	27239	* (B) R2N Bowl Kit 3qt. Gray	
3	R3030	Cap Only, R301 S. Blade	
4	R203	* Blade	
5	27240	* (B) R2N Clear Bowl Kit, 3qt.	
6	112204	(B) R2N Gray Bowl Only, 3qt	
7	112203	(B) R2N Clear Bowl Only, 3qt	
8	39103	(B) Pin Assy, R2N 3qt Gray	
9	R1776	Spring	
10	39077	(B) Pin Assy R2N 3qt. Clear Bowl	
11	Number NA	Description NA	
12	R3030	Cap Only, R301 S. Blade	
13	R203D	* S Blade, Fine Serration	
14	R3030	Cap Only, R301 S. Blade	
15	R203E	* S. Blade Coarse Serrations	
16	R248	Honing Stone	
17	39108	(B) R2N Motor Support, 3qt	
18	R262	Screw Cover	
19	R232A	Screw (Motor - MS)	
20	R118	Motor Support Seal	
21	R274	Pulse Switch	
22	39106	(B) R2N Switch Assy, 3qt	
23	407669	(B) Frant Data Plate R2N, 3qt	
24	R239	Mtr F/C 1/3HP 115V/6HZ	
25	R239D.3	Adapter Plate, EM	
26	R239D	Motor, EM	
27	R265	Bottom Cushion Bushing	
28	R278A	Baffle	
29	R277A	Screen Kit	
30	R286	8amp Breaker (R2ANN)	
31	104124	(B) R2 Base, Gray	
32	R101	Foot	
33	R119	Screw (Base-MS 3.9x19)	
34	R276A	Louvre (mtl) W/Rivits	
35	R240	Cord with Plug	
36	R104	Strain Relief	
37	R225	Rubber O Ring (Black)	
38	R115K	Safety Switch Assembly	
39	R222	Capacitor F/C Mtr (R2N)	
40	R237	6203 Bearing R2 Top/Btm	
41	R239D.2	Capacitor	
42	R237	6203 Bearing R2 Top/Btm	
43	R239D.1	Relay	