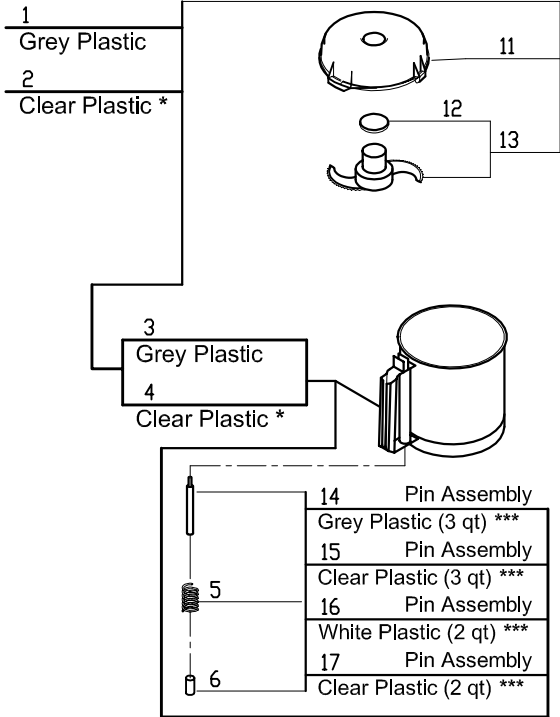
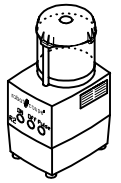


Serial Numbers-244xxxxx03 and up
 1-Speed, 120 Volt, 1 Phase, 60Hz., 1/2 HP.
 1725 RPM, 7 Amps



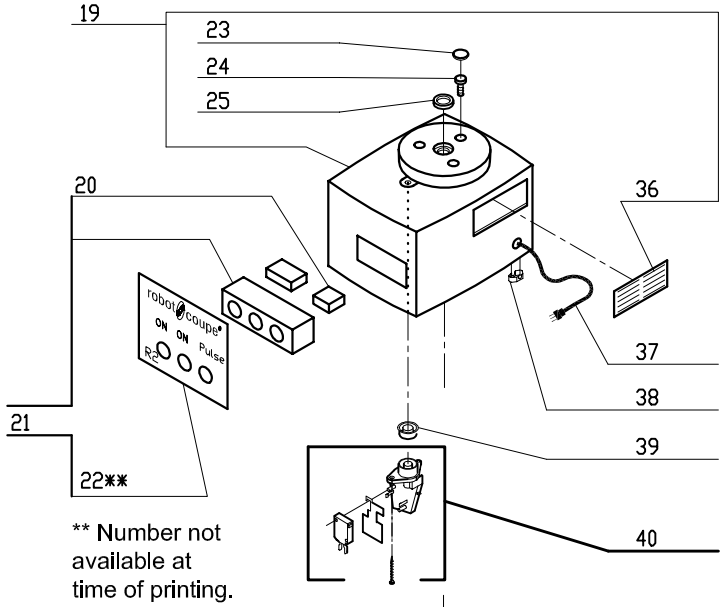
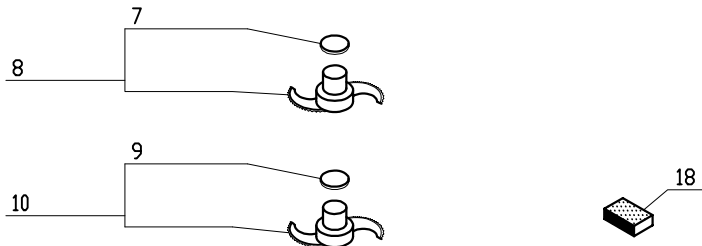
* If ordering the R2N with the clear bowl, order model number R2NCLR.

* If ordering the R2B (bowl only) with the clear bowl, order model number R2BCLR

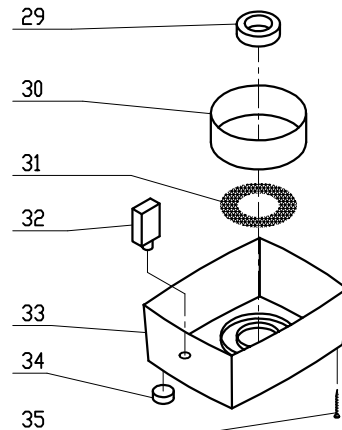
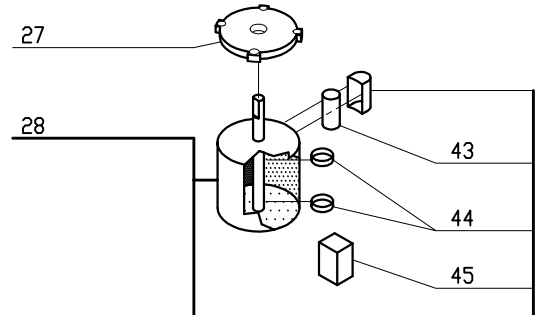
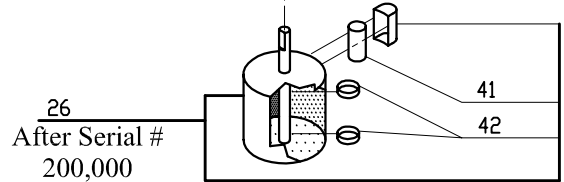
*** 3 Quart bowls have a handle and are 6 inches tall.

*** The 2 Quart (NLA) do not have a handle and are 5 1/4 inches tall.

ACCESSORIES



** Number not available at time of printing.



INDEX	REF.	DESIGNATION	Pricelist in : USD
1	27239	* (B) R2N Bowl Kit 3qt. Gray	
2	27240	* (B) R2N Clear Bowl Kit, 3qt.	
3	112204	(B) R2N Gray Bowl Only, 3qt	
4	112203	(B) R2N Clear Bowl Only, 3qt	
5	R1776	Spring	
6	Number NA	Description NA	
7	R3030	Cap Only, R301 S. Blade	
8	R203D	* S Blade, Fine Serration	
9	R3030	Cap Only, R301 S. Blade	
10	R203E	* S. Blade Coarse Serrations	
11	R204	Cutter Bowl Lid	
12	R3030	Cap Only, R301 S. Blade	
13	R203	* Blade	
14	39103	(B) Pin Assy, R2N 3qt Gray	
15	39077	(B) Pin Assy R2N 3qt. Clear Bowl	
16	R242	Pin Assy for Plastic Bowl	
17	29900	(A) Safety Rod Assy	
18	R248	Honing Stone	
19	39108	(B) R2N Motor Support, 3qt	
20	R274	Pulse Switch	
21	29985	(B) Switch Block Assy (R2N)	
22	Number NA	Description NA	
23	R262	Screw Cover	
24	R232A	Screw (Motor - MS)	
25	R118	Motor Support Seal	
26	R239	Mtr F/C 1/3HP 115V/6HZ	
27	R239D.3	Adapter Plate, EM	
28	R239D	Motor, EM	
29	R265	Bottom Cushion Bushing	
30	R278A	Baffle	
31	R277A	Screen Kit	
32	R286	8amp Breaker (R2ANN)	
33	104124	(B) R2 Base, Gray	
34	R101	Foot	
35	R119	Screw (Base-MS 3.9x19)	
36	R276A	Louvre (mtl) W/Rivits	
37	R240	Cord with Plug	
38	R104	Strain Relief	
39	R225	Rubber O Ring (Black)	
40	R115K	Safety Switch Assembly	
41	R222	Capacitor F/C Mtr (R2N)	
42	R237	6203 Bearing R2 Top/Btm	
43	R239D.2	Capacitor	
44	R237	6203 Bearing R2 Top/Btm	
45	R239D.1	Relay	