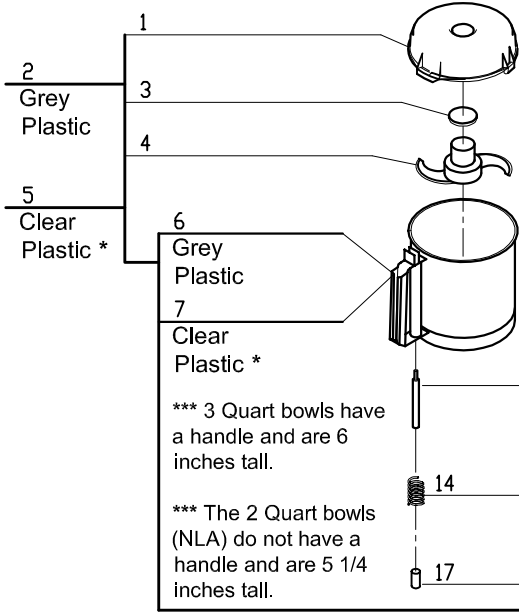
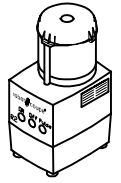


Serial Number Series-R2xxxxx Also,-230xxxxx03

1-Speed, 120 Volt, 1 Phase, 60Hz., 1/2 HP.

1725 RPM, 7 Amps



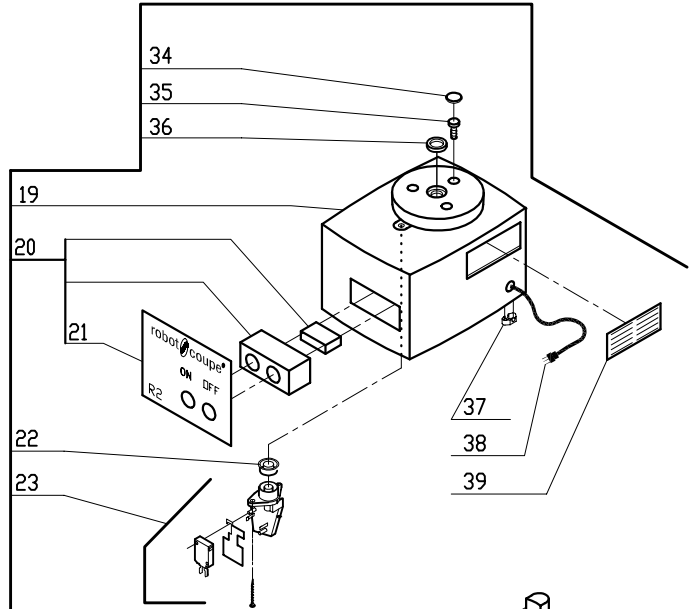
* If ordering the R2N with the clear bowl, order model number R2NCLR.

* If ordering the R2B (bowl only) with the clear bowl, order model number R2BCLR

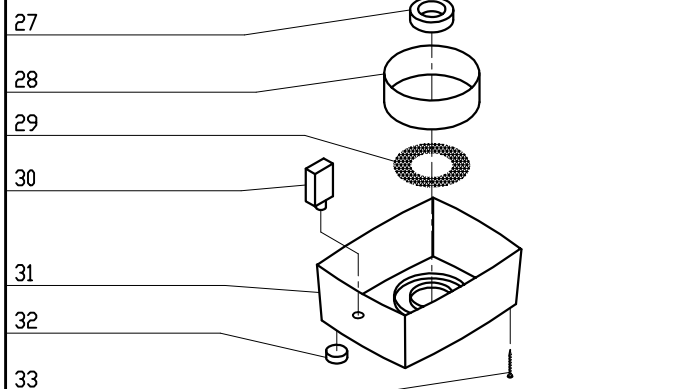
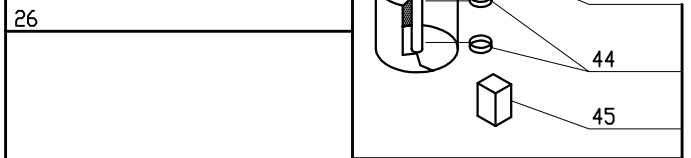
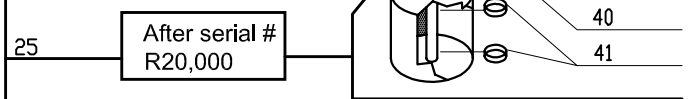
*** 3 Quart bowls have a handle and are 6 inches tall.

*** The 2 Quart bowls (NLA) do not have a handle and are 5 1/4 inches tall.

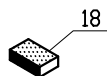
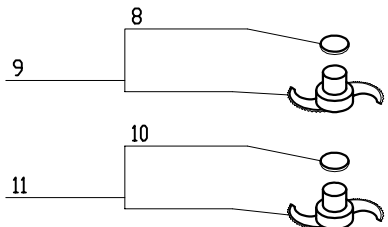
12	Pin Assembly
13	Grey Plastic (3 qt) ***
14	Pin Assembly
15	Clear Plastic (3 qt) ***
16	White Plastic (2 qt) ***
17	Pin Assembly
	Clear Plastic (2 qt) ***



24



ACCESSORIES





R2B #2

INDEX	REF.	DESIGNATION	Pricelist in : USD
1	R204	Cutter Bowl Lid	
2	27239	* (B) R2N Bowl Kit 3qt. Gray	
3	R3030	Cap Only, R301 S. Blade	
4	R203	* Blade	
5	27240	* (B) R2N Clear Bowl Kit, 3qt.	
6	112204	(B) R2N Gray Bowl Only, 3qt	
7	112203	(B) R2N Clear Bowl Only, 3qt	
8	R3030	Cap Only, R301 S. Blade	
9	R203D	* S Blade, Fine Serration	
10	R3030	Cap Only, R301 S. Blade	
11	R203E	* S. Blade Coarse Serrations	
12	39103	(B) Pin Assy, R2N 3qt Gray	
13	39077	(B) Pin Assy R2N 3qt. Clear Bowl	
14	R1776	Spring	
15	R242	Pin Assy for Plastic Bowl	
16	29900	(A) Safety Rod Assy	
17	Number NA	Description NA	
18	R248	Honing Stone	
19	39108	(B) R2N Motor Support, 3qt	
20	R264	On/Off Switch Assy	
21	R230A	Front Data Plate	
22	R225	Rubber O Ring (Black)	
23	R115K	Safety Switch Assembly	
24	R246	Asmbl'd Mtr Base F/C 1/3H	
25	R239	Mtr F/C 1/3HP 115V/6HZ	
26	R239D	Motor, EM	
27	R265	Bottom Cushion Bushing	
28	R278A	Baffle	
29	R277A	Screen Kit	
30	R286	8amp Breaker (R2ANN)	
31	104124	(B) R2 Base, Gray	
32	R101	Foot	
33	R119	Screw (Base-MS 3.9x19)	
34	R262	Screw Cover	
35	R232A	Screw (Motor - MS)	
36	R118	Motor Support Seal	
37	R104	Strain Relief	
38	R240	Cord with Plug	
39	R276A	Louvre (mtl) W/Rivits	
40	R222	Capacitor F/C Mtr (R2N)	
41	R237	6203 Bearing R2 Top/Btm	
42	R239D.3	Adapter Plate, EM	
43	R239D.2	Capacitor	
44	R237	6203 Bearing R2 Top/Btm	
45	R239D.1	Relay	