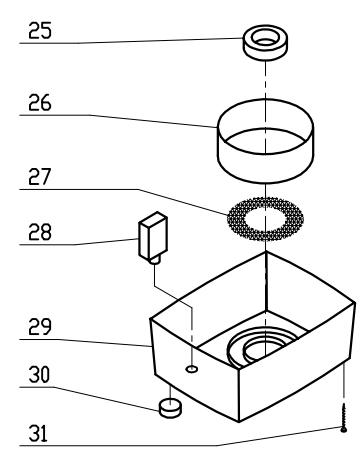
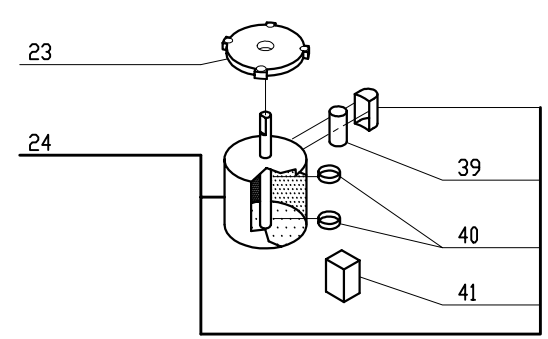
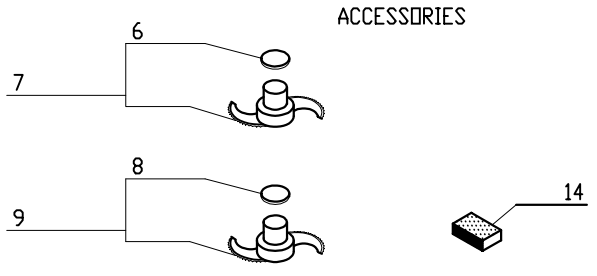
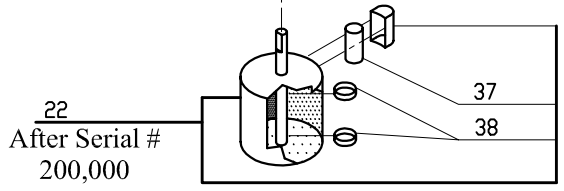
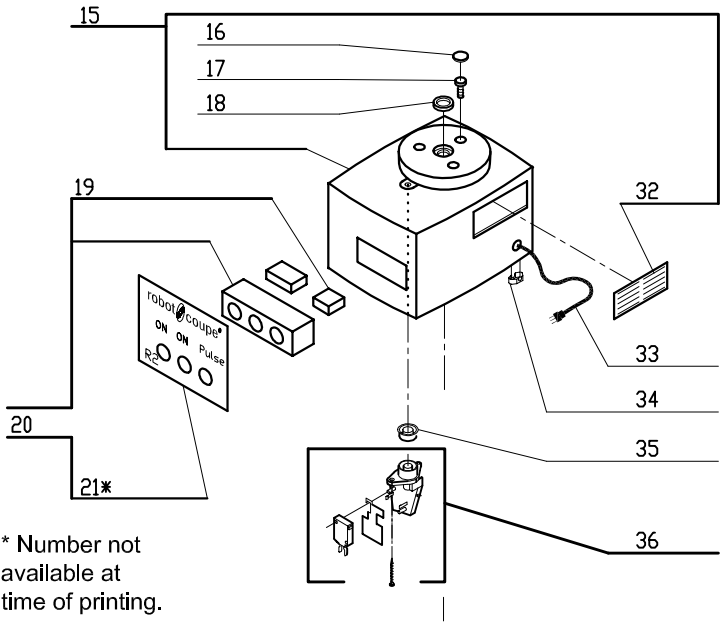
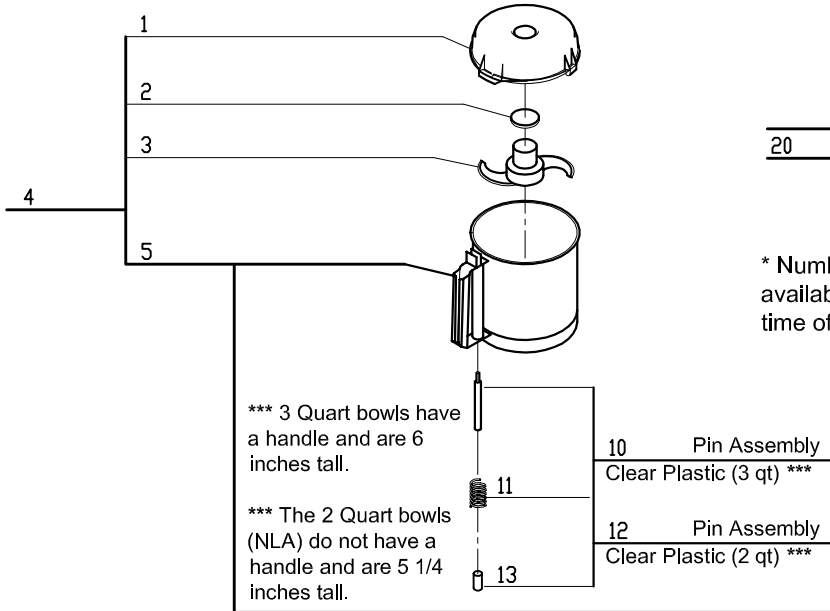
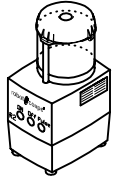


# R2BCLR

Serial Numbers-244xxxxx03 and up  
 1-Speed, 120 Volt, 1 Phase, 60Hz., 1/2 HP.  
 1725 RPM, 7 Amps





## R2BCLR #1

INDEX	REF.	DESIGNATION	Pricelist in : USD
1	R204	Cutter Bowl Lid	
2	R3030	Cap Only, R301 S. Blade	
3	R203	* Blade	
4	27240	* (B) R2N Clear Bowl Kit, 3qt.	
5	112203	(B) R2N Clear Bowl Only, 3qt	
6	R3030	Cap Only, R301 S. Blade	
7	R203D	* S Blade, Fine Serration	
8	R3030	Cap Only, R301 S. Blade	
9	R203E	* S. Blade Coarse Serrations	
10	39077	(B) Pin Assy R2N 3qt. Clear Bowl	
11	R1776	Spring	
12	29900	(A) Safety Rod Assy	
13	Number NA	Description NA	
14	R248	Honing Stone	
15	39108	(B) R2N Motor Support, 3qt	
16	R262	Screw Cover	
17	R232A	Screw (Motor - MS)	
18	R118	Motor Support Seal	
19	R274	Pulse Switch	
20	29985	(B) Switch Block Assy (R2N)	
21	Number NA	Description NA	
22	R239	Mtr F/C 1/3HP 115V/6HZ	
23	R239D.3	Adapter Plate, EM	
24	R239D	Motor, EM	
25	R265	Bottom Cushion Bushing	
26	R278A	Baffle	
27	R277A	Screen Kit	
28	R286	8amp Breaker (R2ANN)	
29	104124	(B) R2 Base, Gray	
30	R101	Foot	
31	R119	Screw (Base-MS 3.9x19)	
32	R276A	Louvre (mtl) W/Rivits	
33	R240	Cord with Plug	
34	R104	Strain Relief	
35	R225	Rubber O Ring (Black)	
36	R115K	Safety Switch Assembly	
37	R222	Capacitor F/C Mtr (R2N)	
38	R237	6203 Bearing R2 Top/Btm	
39	R239D.2	Capacitor	
40	R237	6203 Bearing R2 Top/Btm	
41	R239D.1	Relay	