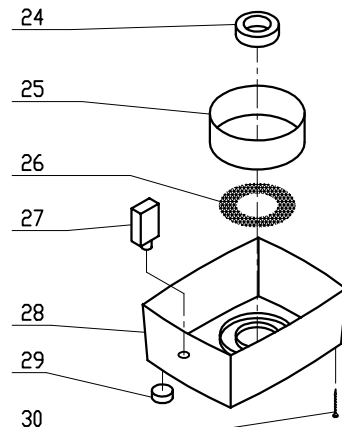
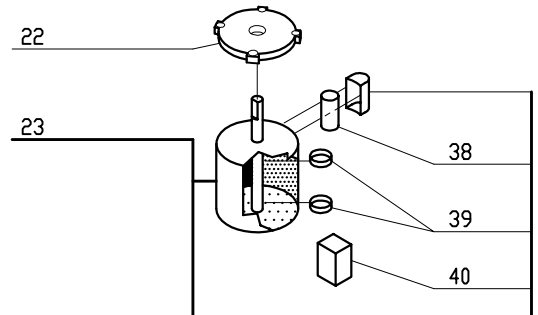
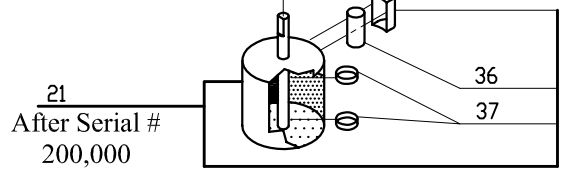
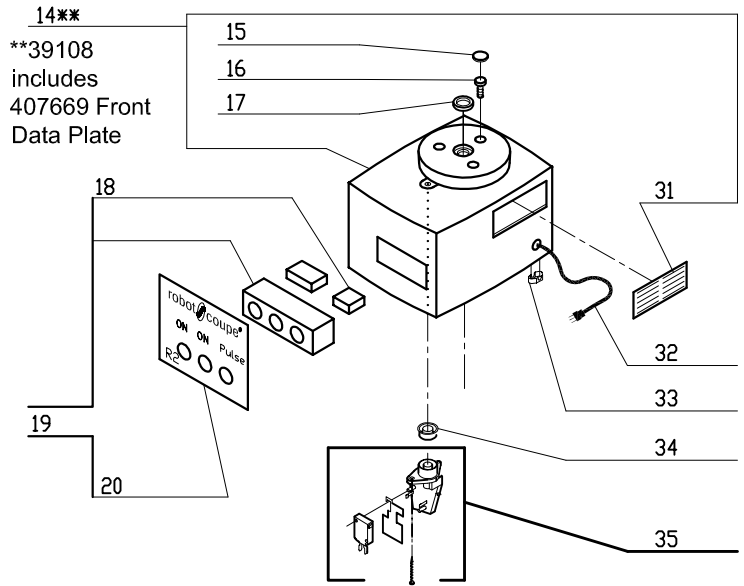
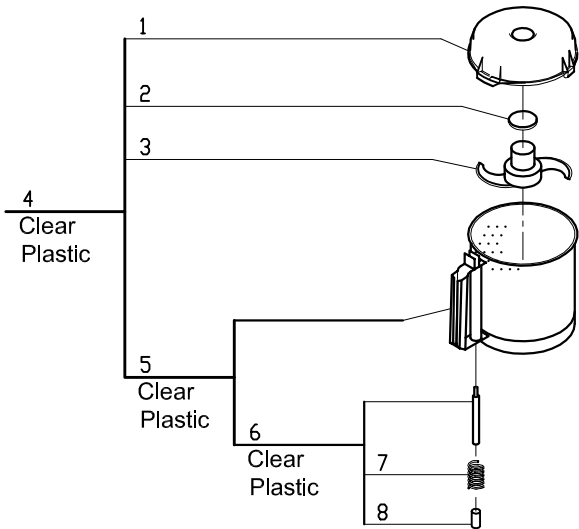
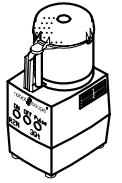
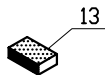
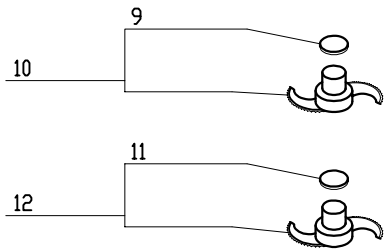


R2BCLR (3 Quart)

Serial Numbers-246xxxxx03
 1-Speed, 120 Volt, 1 Phase, 60Hz., 1/2 HP.
 1725 RPM, 7 Amps



ACCESSORIES





R2BCLR #2

INDEX	REF.	DESIGNATION	Pricelist in : USD
1	R204	Cutter Bowl Lid	
2	R3030	Cap Only, R301 S. Blade	
3	R203	* Blade	
4	27240	* (B) R2N Clear Bowl Kit, 3qt.	
5	112203	(B) R2N Clear Bowl Only, 3qt	
6	39077	(B) Pin Assy R2N 3qt. Clear Bowl	
7	R1776	Spring	
8	Number NA	Description NA	
9	R3030	Cap Only, R301 S. Blade	
10	R203D	* S Blade, Fine Serration	
11	R3030	Cap Only, R301 S. Blade	
12	R203E	* S. Blade Coarse Serrations	
13	R248	Honing Stone	
14	39108	(B) R2N Motor Support, 3qt	
15	R262	Screw Cover	
16	R232A	Screw (Motor - MS)	
17	R118	Motor Support Seal	
18	R274	Pulse Switch	
19	39106	(B) R2N Switch Assy, 3qt	
20	407669	(B) Frant Data Plate R2N, 3qt	
21	R239	Mtr F/C 1/3HP 115V/6HZ	
22	R239D.3	Adapter Plate, EM	
23	R239D	Motor, EM	
24	R265	Bottom Cushion Bushing	
25	R278A	Baffle	
26	R277A	Screen Kit	
27	R286	8amp Breaker (R2ANN)	
28	104124	(B) R2 Base, Gray	
29	R101	Foot	
30	R119	Screw (Base-MS 3.9x19)	
31	R276A	Louvre (mtl) W/Rivits	
32	R240	Cord with Plug	
33	R104	Strain Relief	
34	R225	Rubber O Ring (Black)	
35	R115K	Safety Switch Assembly	
36	R222	Capacitor F/C Mtr (R2N)	
37	R237	6203 Bearing R2 Top/Btm	
38	R239D.2	Capacitor	
39	R237	6203 Bearing R2 Top/Btm	
40	R239D.1	Relay	