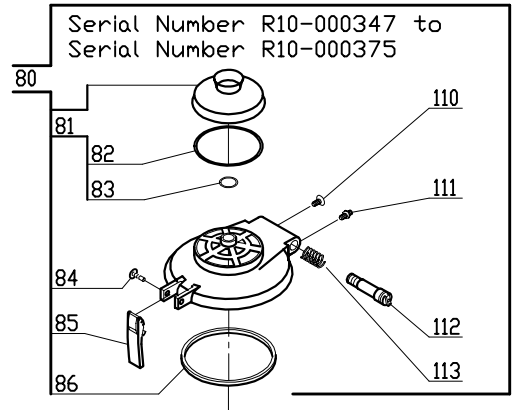
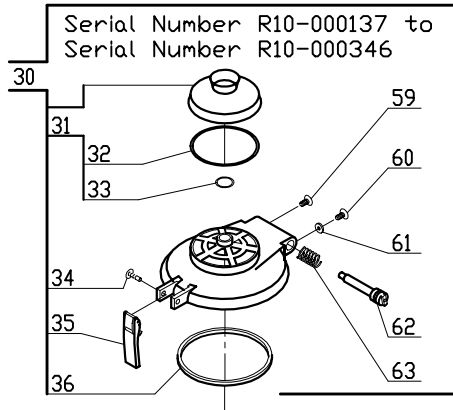
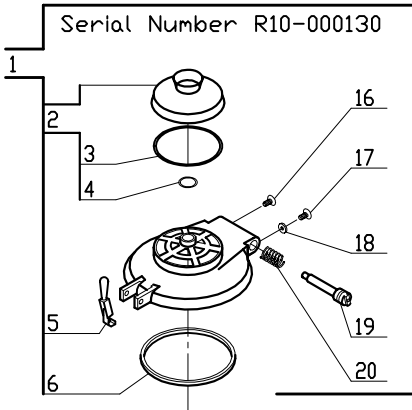
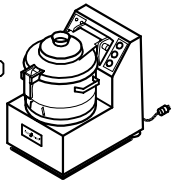


**R10 (ETL)**

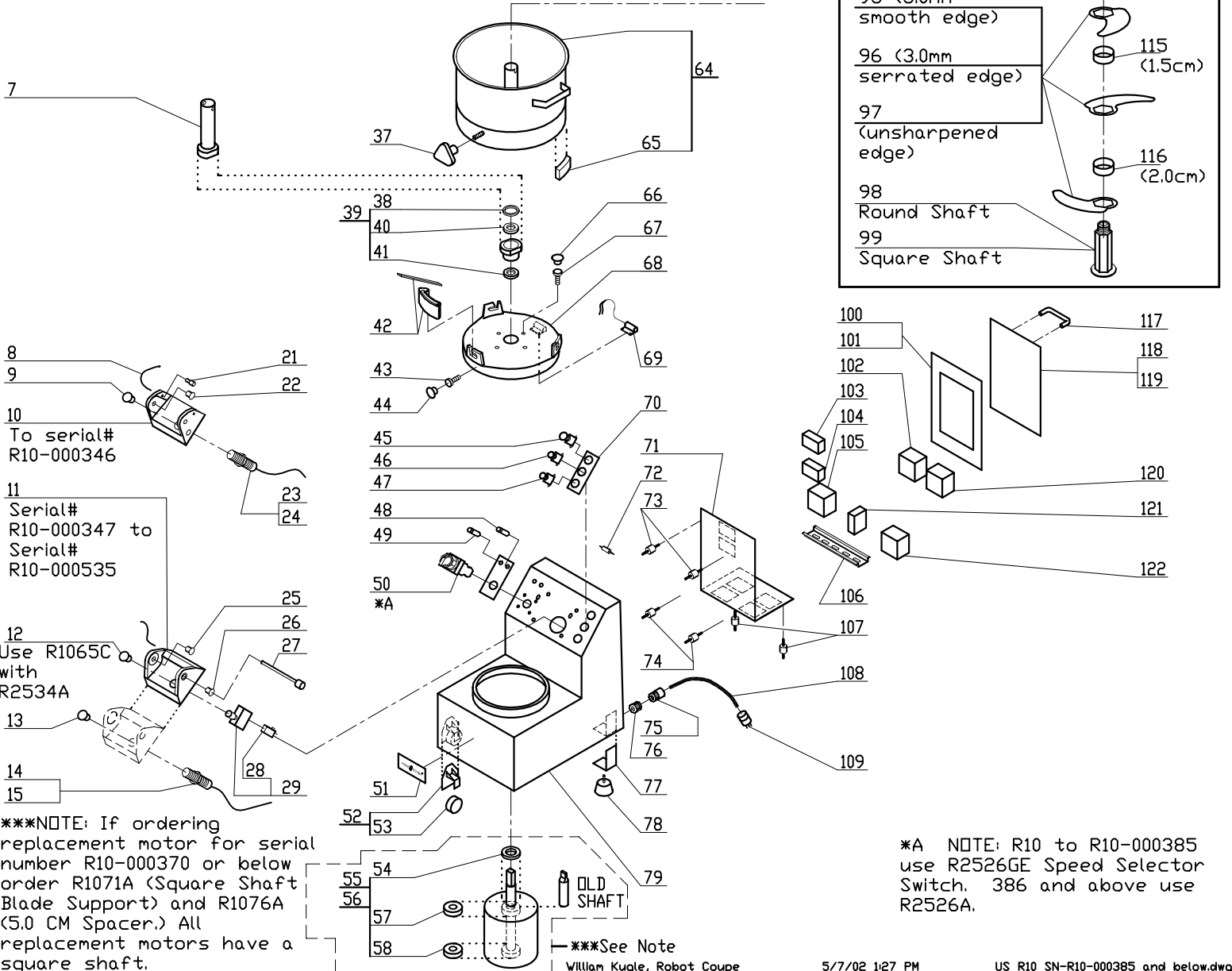
2- Speed, 208-240 Volt, 3 Phase, 60Hz.,  
 Low Speed- 1725 RPM, 9 Amp, 3 HP.  
 High Speed- 3450 RPM, 12.5 Amp, 4.5 HP.

Machines with serial numbers R10-000385 and below.

NOTE: If ordering replacement motor for serial number R10-000370 or below, order R1071A (Square Shaft Blade Support) and R1076A (5.0 CM Spacer.)



\*\*\*NOTE: When using part number R1071 (round shaft blade support), use part number R1076 (7.5cm spacer). When using part number R1071A (square shaft blade support), Use part number R1076A (5.0cm spacer).



INDEX	REF.	DESIGNATION	Pricelist in : USD
1	R1037	* Lid Assembly	
2	R1045	Transparent Cvr, AssyLid	
3	R1044	O Ring, Trans Lid Cover	
4	R1038	O Ring, Lid	
5	R1091	Lid Latch Assy	
6	R1032	Seal, Lid	
7	CL689	Tool,Seal Removal	
8	R1022	String, Lid Hinge Pin Se	
9	R1065	Bushing 40M & Seal (Prox	
10	R1019	Bracket, Lid Mount	
11	R1019A	Bracket/Lid Mount(Round)	
12	R1065C	Bushing	
13	R1065A	Bushing 25M (Prox Sw)	
14	R1051	Proximity Switch (24V)	
15	R1051B	Proximity Switch (ETL&P)	
16	R1041	Screw, Bolt Locking	
17	R1043	Screw, Lid Sensor	
18	R1042	Sensor, Lid	
19	R1039	Bolt, Lid Spring	
20	R1040	Spring, Lid	
21	R1547	Lid Hinge Pin Bushing	
22	R1020	Stop, Lid	
23	R1051	Proximity Switch (24V)	
24	R1051B	Proximity Switch (ETL&P)	
25	R1020	Stop, Lid	
26	R1547	Lid Hinge Pin Bushing	
27	R1018	Pin, Lid Hinge	
28	R1530N	Safety Switch (New)	
29	R2534A	Mechanical Switch Assy.	
30	R1037A	* Lid Assembly	
31	R1045	Transparent Cvr, AssyLid	
32	R1044	O Ring, Trans Lid Cover	
33	R1038	O Ring, Lid	
34	R1036A	Screw, Lid Lever	
35	R1091A	Lever Latch Assy	
36	R1032	Seal, Lid	
37	R1030	Knob, Bowl Securing	
38	R1029	Shield, Motor Support	
39	R1027	Seal Assy, Motor Support	
40	R611	Motor Support Seal	
41	R611	Motor Support Seal	
42	R1075	Tool, Blade Locking	
43	R1024	Screw, Motor Support	
44	R1034	Cover,Screw (MS 21MM)	
45	R1015	Switch, Stop (Red)	
46	R3067U	On Push Button/Green	
47	R3063U	Pulse Push Buttn,Black	
48	R40371TP	Red lamp 220V	
49	R40351TP	Green Lamp 220V	
50	R2526A	Switch w/Knob (R25T R40T	
51	R1002	Front Name Plate	
52	R1549	Wheel Assy.	
53	R1803	Wheel	
54	R1004	Top Seal, Motor	
55	R1003	Motor, RCSA 220v, 3ph	
56	R1003A	Motor 3Ph (Century)	
57	R1540	Bearing (6206)	
58	R25162	Bottom Bearing (R25T,TP)	
59	R1041	Screw, Bolt Locking	
60	R1043	Screw, Lid Sensor	
61	R1042	Sensor, Lid	
62	R1039	Bolt, Lid Spring	
63	R1040	Spring, Lid	

INDEX	REF.	DESIGNATION	Pricelist in : USD
64	R1031	* Bowl (with Notch)	
65	R1049	Bowl Magnet Assy.	
66	R1023	Cover, Screw (16MM)	
67	R1026A	Screw, Mtr Spt (ETL/R10P)	
68	R1025A	Motor Support	
69	R10252	Magnetic Switch Assy	
70	R1014	On/Off Data Plate	
71	R1059	Mounting Plate, PC Board	
72	R1097	Resistor (3W 56K OHM 5%)	
73	R1062	Bolts, Shock Absorbing	
74	R1058	Bolts, Shock Absorb.	
75	R1008A	Strain Relief (ETL&P)	
76	R1057	Gromet, Elec Cord	
77	R1006	Bracket, Foot	
78	R1005	Foot	
79	R1001	Base	
80	R1037D	* Lid Assemblby (Use W/Mini Bowl)	
81	R1045	Transparent Cvr, AssyLid	
82	R1044	O Ring, Trans Lid Cover	
83	R1038	O Ring, Lid	
84	R1036A	Screw, Lid Lever	
85	R1091A	Lever Latch Assy	
86	R1032	Seal, Lid	
87	R1070	* Blade Assy. St. Rd.	
88	R1070A	* Blade Assy. Ser. Rd.	
89	R1077	Plastic Spacer (10 cm)	
90	R1076	Stainless Steel Spacer (7.5cm)	
91	R1070B	* 3 Blade Assy. St. Sq.	
92	R1070C	* 3 Blade Assy. Ser. Sq.	
93	R1076A	50MM S. Spacer	
94	R1070G	* Dough Blade Assy	
95	R1072	Blade Only, St.	
96	R1072A	Blade Only, Ser.	
97	R1072C	Blade Only (Unsharpened)	
98	R1071	Blade Support	
99	R1071A	Blade Support (Square Hub)	
100	R1063	cover (272mm)	
101	R1063A	Gasket, Access (310MM)	
102	R1557	Relay	
103	R1090	Control Relay, Run(DPST)	
104	R1090	Control Relay, Run(DPST)	
105	R25141	Relay (H-R25T L-R40T)	
106	R1085	Denrail 5"	
107	R1058	Bolts, Shock Absorb.	
108	R1578	Cord (R15)	
109	R4904	Plug 3 Phase	
110	R1041	Screw, Bolt Locking	
111	R1043A	Screw W/ Nut, Lid Sen. (Mech Sw.)	
112	R1039	Bolt, Lid Spring	
113	R1040	Spring, Lid	
114	R1078	Lock Nut, Blade	
115	R8U009	15 mm S.S. Spacer	
116	R1074A	2CM Stainless Steel Spacer	
117	R1084	Handle	
118	R1064	Back Access Cover,272mm	
119	R1064A	Back Access. (310MM)	
120	R1089	Thermal Overload(17.5amp	
121	R1079	Relay Mech. Interlock	
122	R1088	Relay	