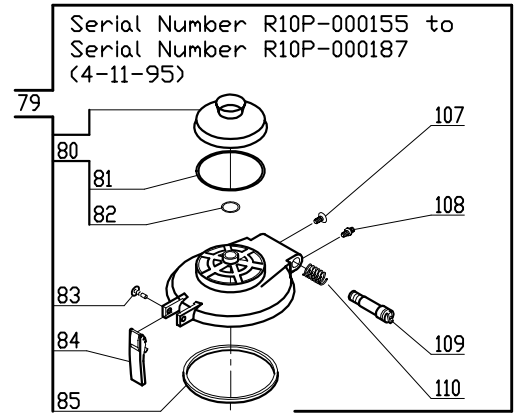
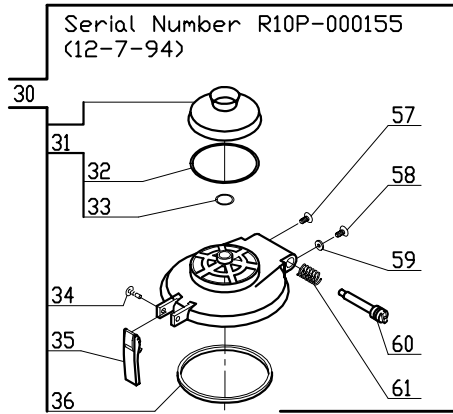
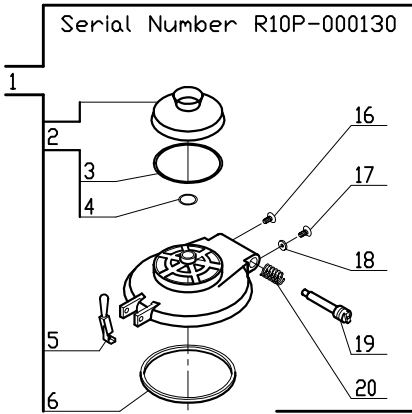
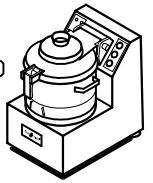


# R10P

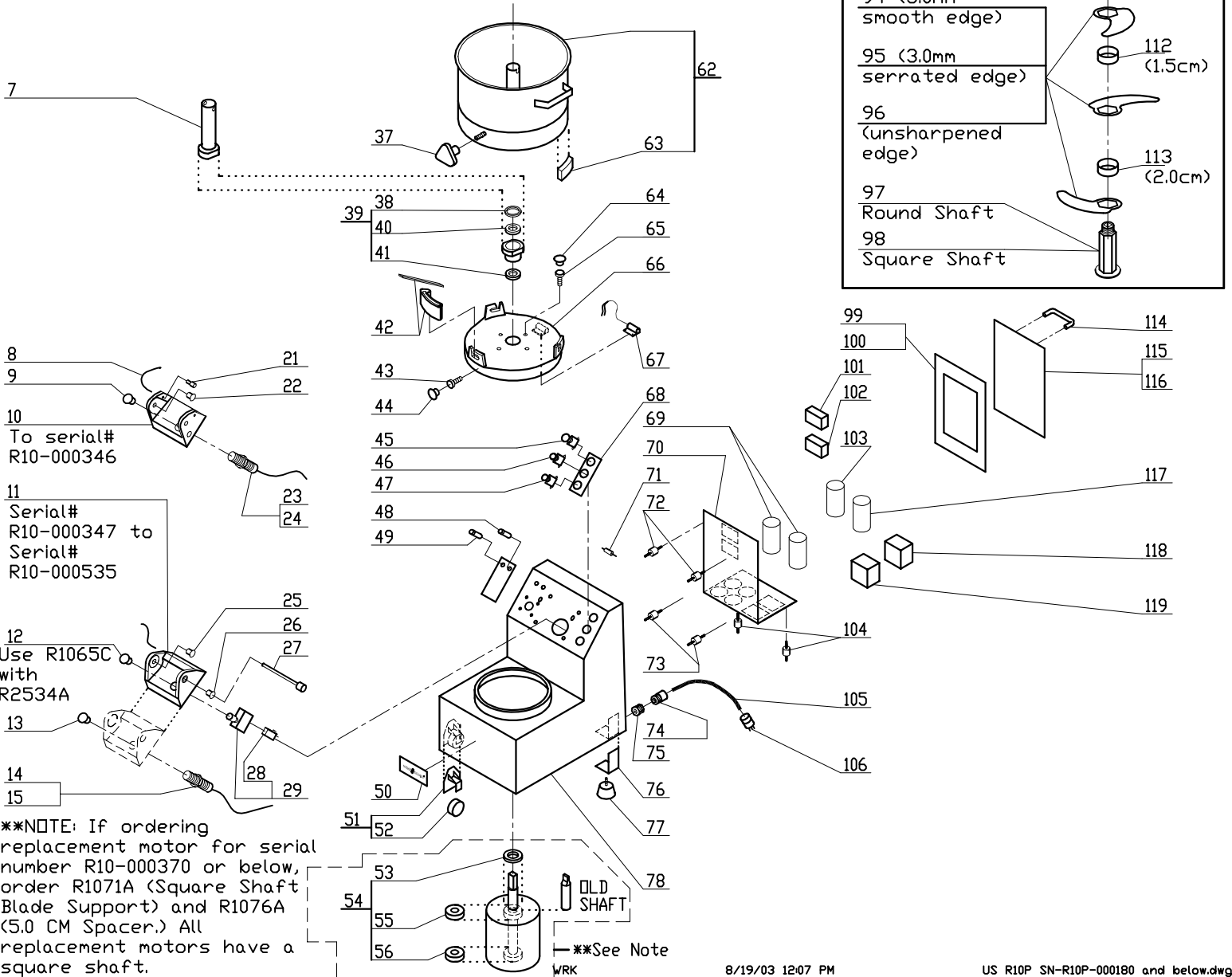
1- Speed, 208-240 Volt, 3 Phase, 60Hz.,  
1725 RPM, 14.5 Amp, 3 HP.

Machines with serial numbers R10P-000180 and below.

NOTE: If ordering replacement motor for serial number R10-000370 or below, order R1071A (Square Shaft Blade Support) and R1076A (5.0 CM Spacer.)



\*NOTE: When using part number R1071 (round shaft blade support), use part number R1076 (7.5cm spacer). When using part number R1071A (square shaft blade support), Use part number R1076A (5.0cm spacer).



| INDEX | REF.     | DESIGNATION              | Pricelist in : USD |
|-------|----------|--------------------------|--------------------|
| 1     | R1037    | * Lid Assembly           |                    |
| 2     | R1045    | Transparent Cvr, AssyLid |                    |
| 3     | R1044    | O Ring, Trans Lid Cover  |                    |
| 4     | R1038    | O Ring, Lid              |                    |
| 5     | R1091    | Lid Latch Assy           |                    |
| 6     | R1032    | Seal, Lid                |                    |
| 7     | CL689    | Tool,Seal Removal        |                    |
| 8     | R1022    | String, Lid Hinge Pin Se |                    |
| 9     | R1065    | Bushing 40M & Seal (Prox |                    |
| 10    | R1019    | Bracket, Lid Mount       |                    |
| 11    | R1019A   | Bracket/Lid Mount(Round) |                    |
| 12    | R1065C   | Bushing                  |                    |
| 13    | R1065A   | Bushing 25M (Prox Sw)    |                    |
| 14    | R1051    | Proximity Switch (24V)   |                    |
| 15    | R1051B   | Proximity Switch (ETL&P) |                    |
| 16    | R1041    | Screw, Bolt Locking      |                    |
| 17    | R1043    | Screw, Lid Sensor        |                    |
| 18    | R1042    | Sensor, Lid              |                    |
| 19    | R1039    | Bolt, Lid Spring         |                    |
| 20    | R1040    | Spring, Lid              |                    |
| 21    | R1547    | Lid Hinge Pin Bushing    |                    |
| 22    | R1020    | Stop, Lid                |                    |
| 23    | R1051    | Proximity Switch (24V)   |                    |
| 24    | R1051B   | Proximity Switch (ETL&P) |                    |
| 25    | R1020    | Stop, Lid                |                    |
| 26    | R1547    | Lid Hinge Pin Bushing    |                    |
| 27    | R1018    | Pin, Lid Hinge           |                    |
| 28    | R1530N   | Safety Switch (New)      |                    |
| 29    | R2534A   | Mechanical Switch Assy.  |                    |
| 30    | R1037A   | * Lid Assembly           |                    |
| 31    | R1045    | Transparent Cvr, AssyLid |                    |
| 33    | R1038    | O Ring, Lid              |                    |
| 33    | R1044    | O Ring, Trans Lid Cover  |                    |
| 34    | R1036A   | Screw, Lid Lever         |                    |
| 35    | R1091A   | Lever Latch Assy         |                    |
| 36    | R1032    | Seal, Lid                |                    |
| 37    | R1030    | Knob, Bowl Securing      |                    |
| 38    | R1029    | Shield, Motor Support    |                    |
| 39    | R1027    | Seal Assy, Motor Support |                    |
| 40    | R611     | Motor Support Seal       |                    |
| 41    | R611     | Motor Support Seal       |                    |
| 42    | R1075    | Tool, Blade Locking      |                    |
| 43    | R1024    | Screw, Motor Support     |                    |
| 44    | R1034    | Cover,Screw (MS 21MM)    |                    |
| 45    | R1015    | Switch, Stop (Red)       |                    |
| 46    | R3067U   | On Push Button/Green     |                    |
| 47    | R3063U   | Pulse Push Buttn,Black   |                    |
| 48    | R40371TP | Red lamp 220V            |                    |
| 49    | R40351TP | Green Lamp 220V          |                    |
| 50    | R1002    | Front Name Plate         |                    |
| 51    | R1549    | Wheel Assy.              |                    |
| 52    | R1803    | Wheel                    |                    |
| 53    | R1004    | Top Seal, Motor          |                    |
| 54    | R1003B   | Motor 1Ph (Century)      |                    |
| 55    | R1540    | Bearing (6206)           |                    |
| 56    | R25162   | Bottom Bearing (R25T,TP) |                    |
| 57    | R1041    | Screw, Bolt Locking      |                    |
| 58    | R1043    | Screw, Lid Sensor        |                    |
| 59    | R1042    | Sensor, Lid              |                    |
| 60    | R1039    | Bolt, Lid Spring         |                    |
| 61    | R1040    | Spring, Lid              |                    |
| 62    | R1031    | * Bowl (with Notch)      |                    |
| 63    | R1049    | Bowl Magnet Assy.        |                    |

| INDEX | REF.   | DESIGNATION                       | Pricelist in : USD |
|-------|--------|-----------------------------------|--------------------|
| 64    | R1023  | Cover, Screw (16MM)               |                    |
| 65    | R1026A | Screw, Mtr Spt (ETL/R10P)         |                    |
| 66    | R1025A | Motor Support                     |                    |
| 67    | R10252 | Magnetic Switch Assy              |                    |
| 68    | R1014  | On/Off Data Plate                 |                    |
| 69    | R1096  | Capacitor, Start                  |                    |
| 70    | R1059  | Mounting Plate, PC Board          |                    |
| 71    | R1097  | Resistor (3W 56K OHM 5%)          |                    |
| 72    | R1062  | Bolts, Shock Absorbing            |                    |
| 73    | R1058  | Bolts, Shock Absorb.              |                    |
| 74    | R1008A | Strain Relief (ETL&P)             |                    |
| 75    | R1057  | Gromet, Elec Cord                 |                    |
| 76    | R1006  | Bracket, Foot                     |                    |
| 77    | R1005  | Foot                              |                    |
| 78    | R1001  | Base                              |                    |
| 79    | R1037D | * Lid Assemblby (Use W/Mini Bowl) |                    |
| 80    | R1045  | Transparent Cvr, AssyLid          |                    |
| 81    | R1044  | O Ring, Trans Lid Cover           |                    |
| 82    | R1038  | O Ring, Lid                       |                    |
| 83    | R1036A | Screw, Lid Lever                  |                    |
| 84    | R1091A | Lever Latch Assy                  |                    |
| 85    | R1032  | Seal, Lid                         |                    |
| 86    | R1070  | * Blade Assy. St. Rd.             |                    |
| 87    | R1070A | * Blade Assy. Ser. Rd.            |                    |
| 88    | R1077  | Plastic Spacer (10 cm)            |                    |
| 89    | R1076  | Stainless Steel Spacer (7.5cm)    |                    |
| 90    | R1070B | * 3 Blade Assy. St. Sq.           |                    |
| 91    | R1070C | * 3 Blade Assy. Ser. Sq.          |                    |
| 92    | R1076A | 50MM S. Spacer                    |                    |
| 93    | R1070G | * Dough Blade Assy                |                    |
| 94    | R1072  | Blade Only, St.                   |                    |
| 95    | R1072A | Blade Only, Ser.                  |                    |
| 96    | R1072C | Blade Only (Unsharpened)          |                    |
| 97    | R1071  | Blade Support                     |                    |
| 98    | R1071A | Blade Support (Square Hub)        |                    |
| 99    | R1063  | cover (272mm)                     |                    |
| 100   | R1063A | Gasket, Access (310MM)            |                    |
| 101   | R1090  | Control Relay, Run(DPST)          |                    |
| 102   | R1090  | Control Relay, Run(DPST)          |                    |
| 103   | R1095  | Capacitor, Run                    |                    |
| 104   | R1058  | Bolts, Shock Absorb.              |                    |
| 105   | R1007B | Elect. Cord (P)                   |                    |
| 106   | R1086A | Electric Plug (P)                 |                    |
| 107   | R1041  | Screw, Bolt Locking               |                    |
| 108   | R1043A | Screw W/ Nut, Lid Sen. (Mech Sw.) |                    |
| 109   | R1039  | Bolt, Lid Spring                  |                    |
| 110   | R1040  | Spring, Lid                       |                    |
| 111   | R1078  | Lock Nut, Blade                   |                    |
| 112   | R8U009 | 15 mm S.S. Spacer                 |                    |
| 113   | R1074A | 2CM Stainless Steel Spacer        |                    |
| 114   | R1084  | Handle                            |                    |
| 115   | R1064  | Back Access Cover,272mm           |                    |
| 116   | R1064A | Back Access. (310MM)              |                    |
| 117   | R1098  | Solid State Switch (R10P)         |                    |
| 118   | R1557  | Relay                             |                    |
| 119   | R1089  | Thermal Overload(17.5amp          |                    |