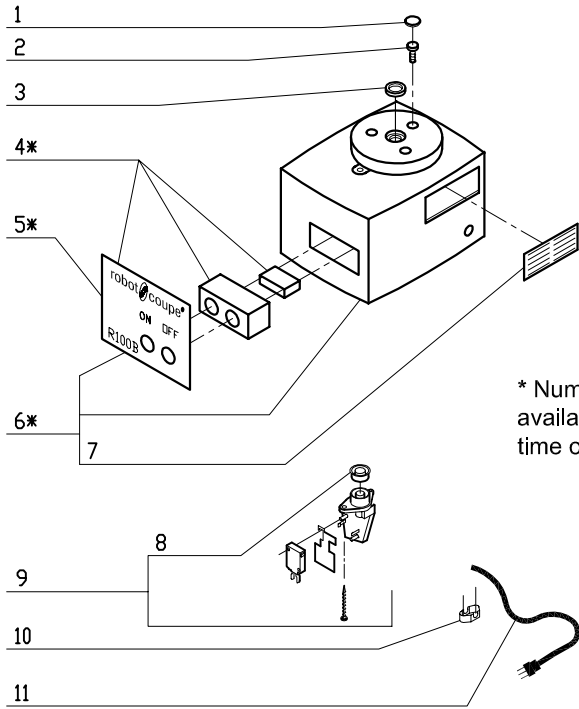
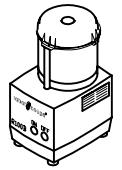
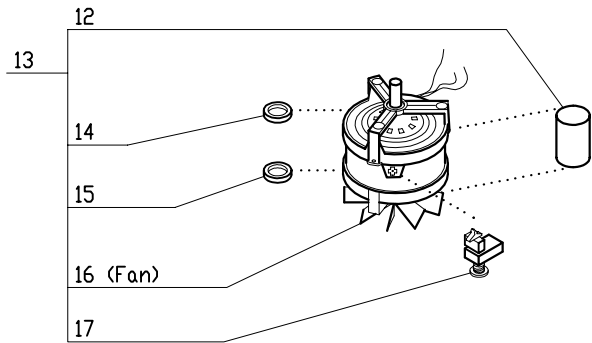
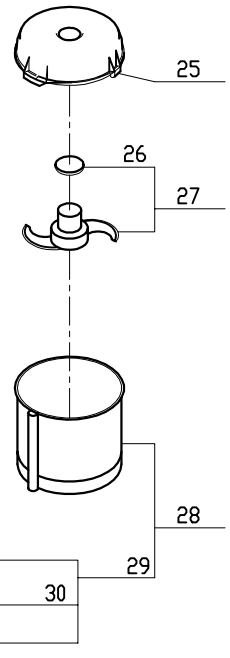


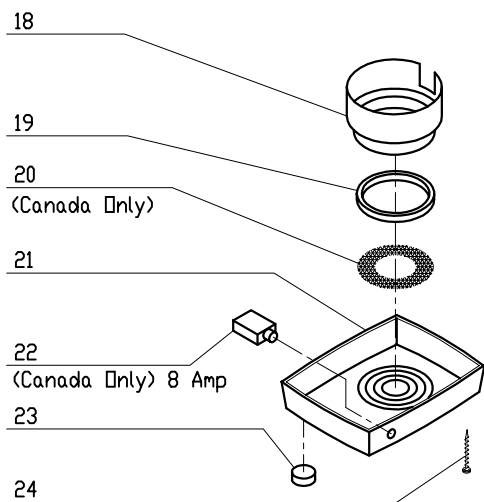
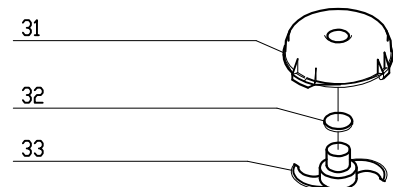
Serial Numbers-145xxxxx03  
 1-Speed, 120 Volt, 1 Phase, 60Hz., 5/16 HP.  
 1725 RPM, 7 Amps



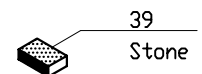
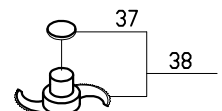
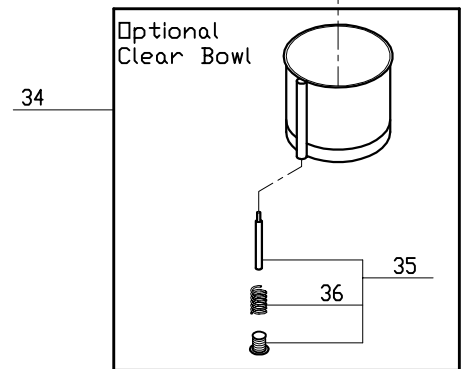
\* Number not available at time of printing.



ACCESSORIES



If ordering the R100B with the clear bowl option (117900), order model number R100BCLR.





**R100B**

INDEX	REF.	DESIGNATION	Pricelist in : USD
1	R121	Screw Cover	
2	R120	Motor Support Screw	
3	R118	Motor Support Seal	
4	Number NA	Description NA	
5	Number NA	Description NA	
6	Number NA	Description NA	
7	R276A	Louvre (mtl) W/Rivits	
8	R225	Rubber O Ring (Black)	
9	R115K	Safety Switch Assembly	
10	R104	Strain Relief	
11	R240	Cord with Plug	
12	R3012U	Capacitor/180MF 120/160	
13	R110	Motor	
14	R159	Top Bearing	
15	R1715	6201 Bearing	
16	R110.1	Fan Blade Only(R100,CL30,CL50,R300#B)	
17	R3009U	Relay MTRPH - 16/39	
18	R107	Baffle	
19	R106	Bottom Cushion Bushing	
20	R123	Description NA	
21	R102	Base	
22	R286	8amp Breaker (R2ANN)	
23	R101	Foot	
24	R119	Screw (Base-MS 3.9x19)	
25	R204	Cutter Bowl Lid	
26	R3030	Cap Only, R301 S. Blade	
27	R155	* Smooth Blade	
28	117657	(A) 2 1/2 Qt Bowl Only, R100	
29	R242	Pin Assy for Plastic Bowl	
30	R1776	Spring	
31	R204	Cutter Bowl Lid	
32	R3030	Cap Only, R301 S. Blade	
33	R155	* Smooth Blade	
34	117900	(A) 2 1/2 Qt Clear Bowl, R100	
35	29900	(A) Safety Rod Assy	
36	R1776	Spring	
37	R3030	Cap Only, R301 S. Blade	
38	R157	* Serrated Blade	
39	R248	Honing Stone	