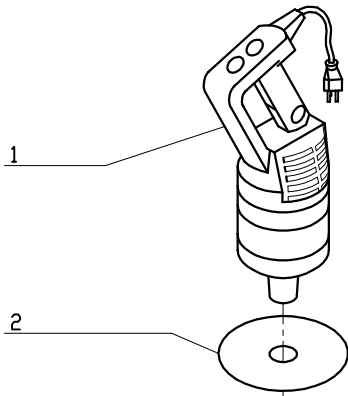
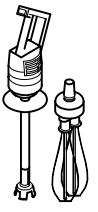
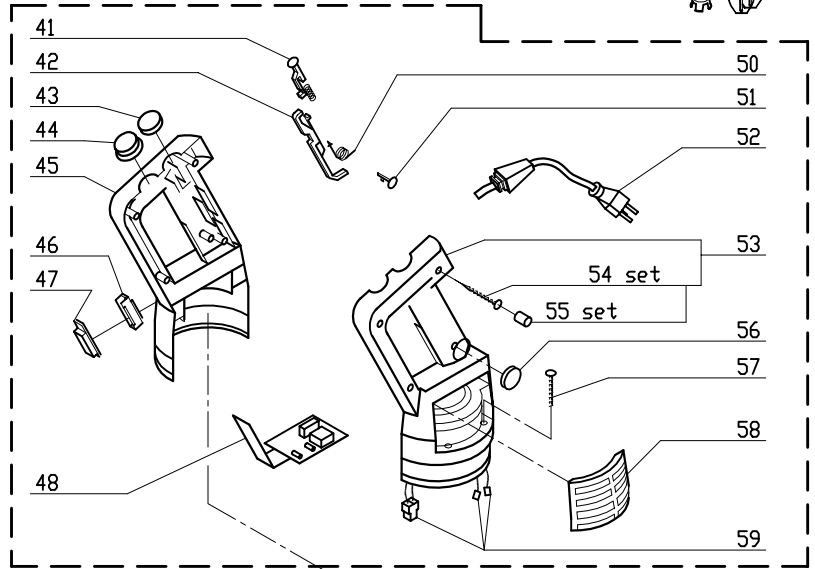
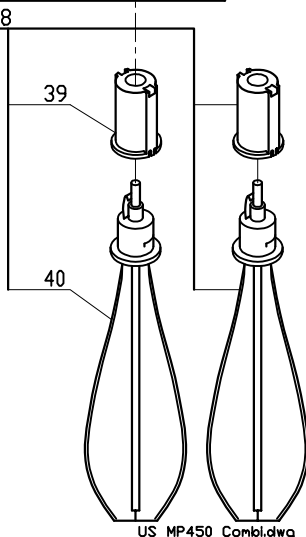
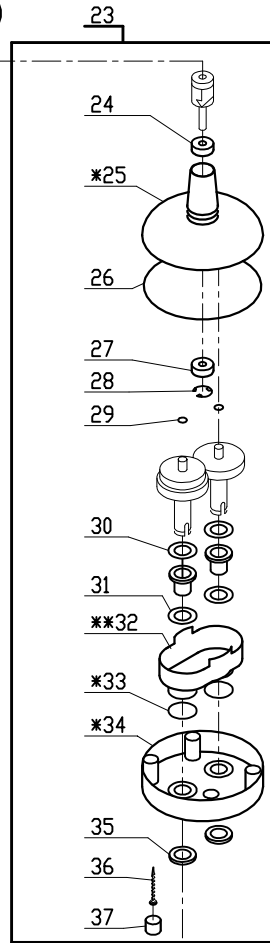
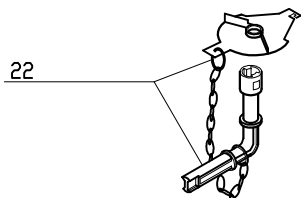
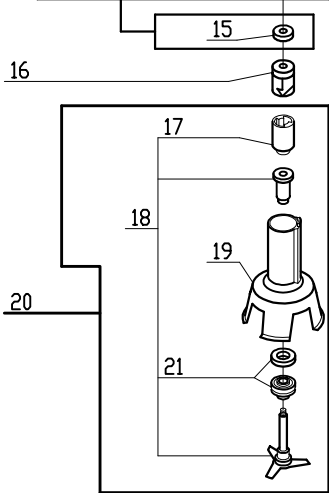
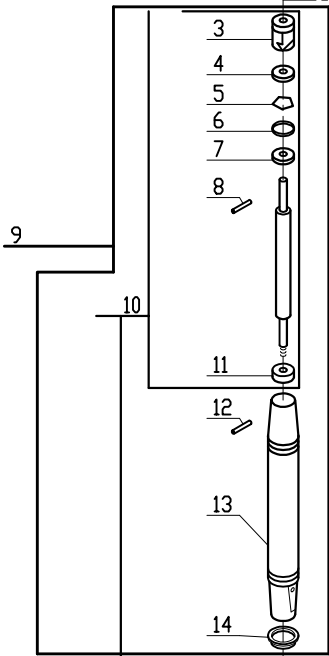


MP450 Combi

Variable Speed, 120 Volt, 1 Phase, 60Hz.,
3,000-10,000 RPM, 670 Watts, 5.6 Amp



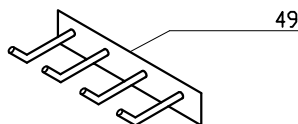
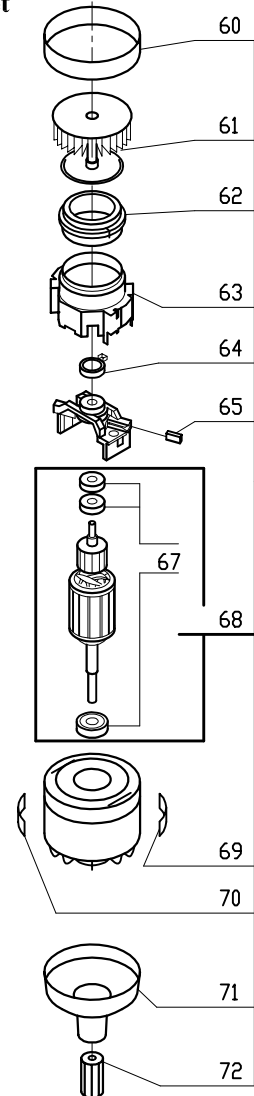
*Indicates parts of the METAL gear box.



If replacing internal parts within dashed lines, order a set of replacement screw caps, part # MP29544.

**NLA (No Longer Available)

Parts are no longer available for the plastic gear box. You must order the metal gear box assembly #MP103957.



INDEX	REF.	DESIGNATION	Pricelist in : USD
1	MP29653	(BA) Motor Base Assembly	
2	MP102950	Splash Sheild	
3	MP102832	Driving Cage	
4	MP102963	Top Bearing/Shaft	
5	MP203118	Elastic Ring	
6	MP507075	Seal	
7	MP507005	Bearing	
8	MP203080	Pin - Retainer Shaft	
9	MP102883	Cutter Shaft Assy (MP450COMBI)	
10	MP29549	Drive Shaft Assy (MP450 COMBI)	
11	MP507005	Bearing	
12	MP203083	Pin - Retainer Enclosure	
13	MP102828	Shaft Enclosure (MP450COMBI)	
14	MP102417	Seal, Shaft Enclosure	
15	MP507004	Seal	
16	MP102422	Upper Coupling	
17	MP102410	Lower Coupling	
18	MP29503	Blade With Seals	
19	MP29504	Bell Cover	
20	MP29505	Bell Cover Assy.	
21	MP507000	Seal	
22	MP29540	Tool Assy	
23	MP103957	Metallic Gear Box	
24	MP29726	Bearing, Whisk Box Gear Shaft	
25	MP29981	Description NA	
26	MP29727	O-Ring Seal, Gear Box	
27	MP29726	Bearing, Whisk Box Gear Shaft	
28	MP29728	Ring "E" Gear Shaft	
29	MP29729	Ball, Driven Shaft	
30	MP29730	Wearing Ring, Driven Shaft	
31	MP29730	Wearing Ring, Driven Shaft	
32	Number NA	Description NA	
33	MP29962	Description NA	
34	MP29963	(BA) Lower Body Gear Box	
35	MP29731	Seal, Driven Shaft	
36	MP29732	Screw 3x19 - Cap Whisk Box Assy	
37	MP29734	Screw Cover, Whisk Box Assy	
38	MP102880	* Whisk Assy Set of Two	
39	MP102740	Release Collar	
40	MP102813	Whisk Blade	
41	MP29543	Safety Release Trigger	
42	MP29721	Trigger Lever Arm	
43	MP29669	Cap Safety Release	
44	MP29719	Variable Speed Controller	
45	MP29547	Right Handle/Motor Cover	
46	MP29718	Trigger Seal Support	
47	MP29717	Trigger Seal	
48	MP29723	Circuit Board, Var. Speed	
49	MP102897	Rack	
50	MP29720	Trigger Return Spring	
51	MP29542	Switch Lock	
52	MP29713	(BA)Power Cord-Combi/VV	
53	MP29545	Left Handle/Motor Cover	
54	MP29733	Screw - Cap Screw Assy (MP600)	
55	MP29544	Screw with Cap (Set of 4)	
56	MP29669	Cap Safety Release	
57	MP203057	Screw	
58	MP102437	Louver	
59	MP29551	Electrical Wiring	
60	MP102941	Name Band (MP450COMBI)	
61	MP102958	Motor Fan	
62	MP102728	Shroud Extension	
63	MP503058	Shroud	

robot coupe®

MP450 Combi

INDEX	REF.	DESIGNATION	Pricelist in : USD
64	MP102741	Self Rest	
65	MP503060	Brush	
66	MP302022A	Motor Assy (MP450)	
67	MP29507	Bearing Kit	
68	MP29509	Rotor Assy.	
69	MP406300	Caution Label	
70	MP406301	Caution Label	
71	MP102901	Lower Motor Housing	
72	MP102816	Driving Hub	