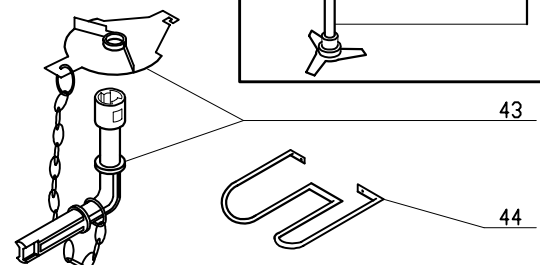
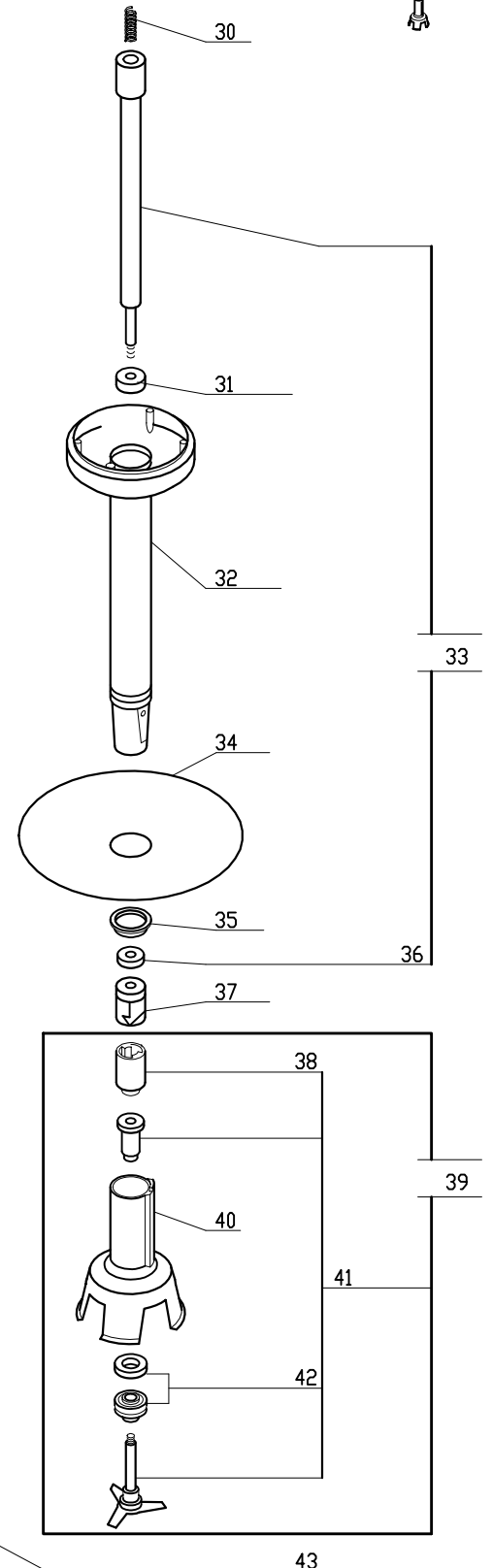


If replacing internal parts within dashed lines, order a set of replacement screw caps, part # MP29544.



**MP450VV**

INDEX	REF.	DESIGNATION	Pricelist in : USD
1	MP29543	Safety Release Trigger	
2	MP29721	Trigger Lever Arm	
3	MP29669	Cap Safety Release	
4	MP29719	Variable Speed Controller	
5	MP29547	Right Handle/Motor Cover	
6	MP29718	Trigger Seal Support	
7	MP29717	Trigger Seal	
8	MP29723	Circuit Board, Var. Speed	
9	MP102962	Name Band (MP450V.V.)	
10	MP102958	Motor Fan	
11	MP102728	Shroud Extension	
12	MP503058	Shroud	
13	MP102741	Self Rest	
14	MP503060	Brush	
15	MP302022A	Motor Assy (MP450)	
16	MP29507	Bearing Kit	
17	MP29509	Rotor Assy.	
18	MP406301	Caution Label	
19	MP406300	Caution Label	
20	MP29720	Trigger Return Spring	
21	MP29542	Switch Lock	
22	MP29713	(BA)Power Cord-Combi/VV	
23	MP29545	Left Handle/Motor Cover	
24	MP29733	Screw - Cap Screw Assy (MP600)	
25	MP29544	Screw with Cap (Set of 4)	
26	MP29669	Cap Safety Release	
27	MP203057	Screw	
28	MP102437	Louver	
29	MP29551	Electrical Wiring	
30	MP102570	Spring	
31	MP507005	Bearing	
32	MP102411	Shaft Enclosure (450)	
33	MP29506	Shaft Assy. (450)	
34	MP102950	Splash Sheild	
35	MP102417	Seal, Shaft Enclosure	
36	MP507004	Seal	
37	MP102422	Upper Coupling	
38	MP102410	Lower Coupling	
39	MP29505	Bell Cover Assy.	
40	MP29504	Bell Cover	
41	MP29503	Blade With Seals	
42	MP507000	Seal	
43	MP29540	Tool Assy	
44	MP102439	Wall Mounting Bracket	