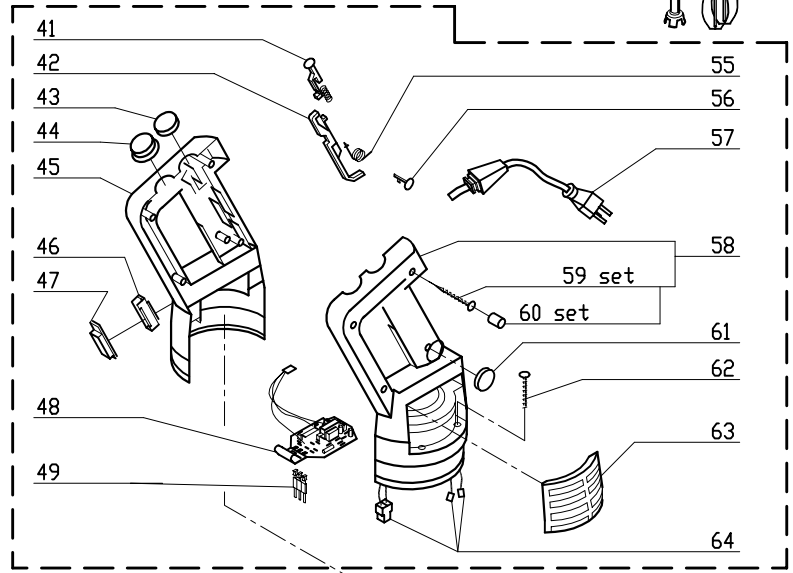
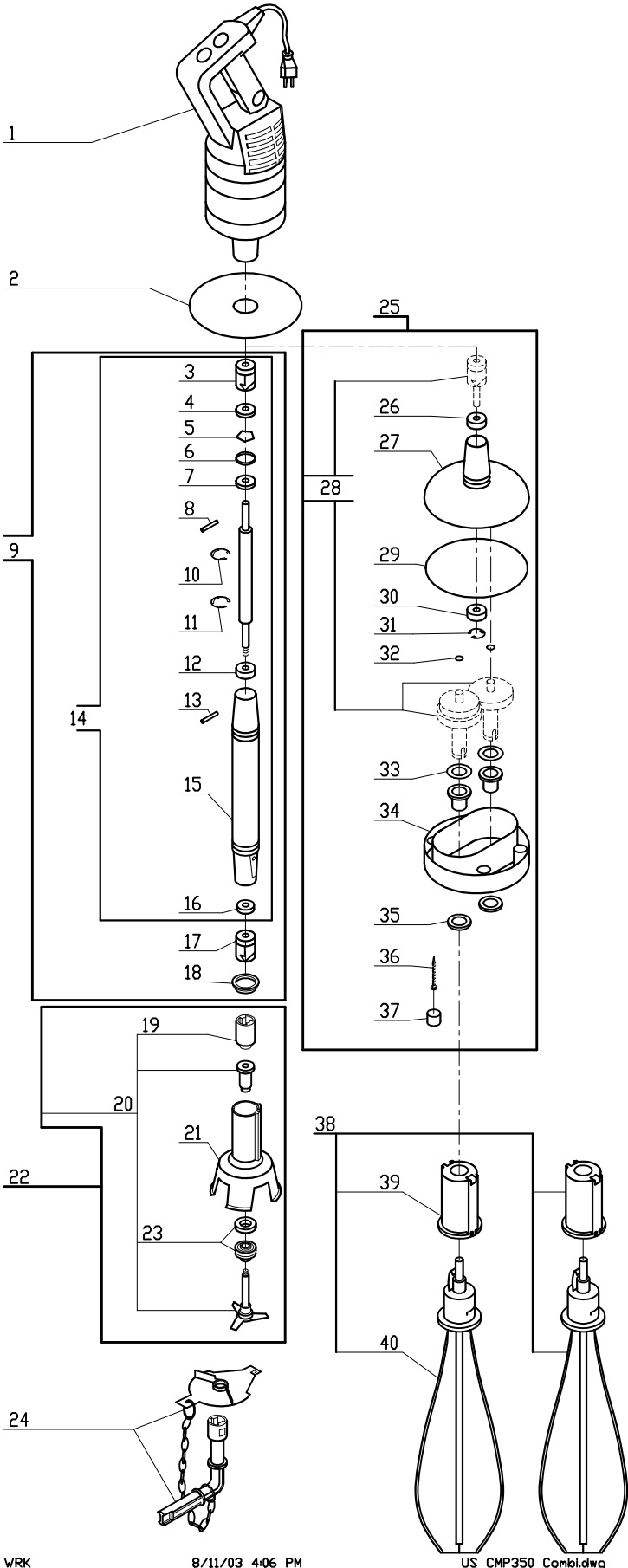
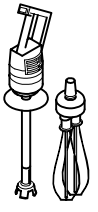


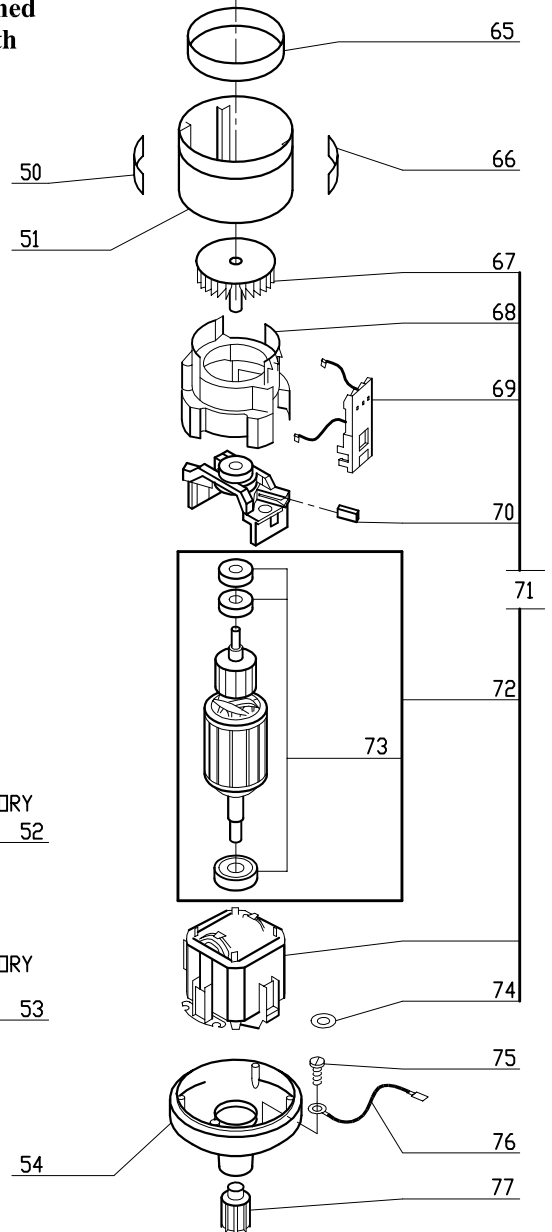
CMP350 Combi

Variable Speed, 120 Volt, 1 Phase, 60Hz.,

Up to 6500 RPM, 420 Watts, 3.5 Amp



All parts within dashed lines are shipped with replacement screw caps.



| INDEX | REF. | DESIGNATION | Pricelist in : USD |
|-------|-----------|---------------------------------|--------------------|
| 1 | MP29660 | Description NA | |
| 2 | MP102950 | Splash Sheild | |
| 3 | MP102832 | Driving Cage | |
| 4 | MP102963 | Top Bearing/Shaft | |
| 5 | MP203118 | Elastic Ring | |
| 6 | MP507075 | Seal | |
| 7 | MP507005 | Bearing | |
| 8 | MP203080 | Pin - Retainer Shaft | |
| 9 | MP102885 | Cutter Shaft Assy (MP350COMBI) | |
| 10 | MP29548 | Drive Shaft Assy (MP350 COMBI) | |
| 11 | MP507005 | Bearing | |
| 12 | MP203083 | Pin - Retainer Enclosure | |
| 13 | MP102884 | Shaft Enclosure | |
| 14 | MP102417 | Seal, Shaft Enclosure | |
| 15 | MP507004 | Seal | |
| 16 | MP102422 | Upper Coupling | |
| 17 | MP102410 | Lower Coupling | |
| 18 | MP29503 | Blade With Seals | |
| 19 | MP29504 | Bell Cover | |
| 20 | MP29505 | Bell Cover Assy. | |
| 21 | MP507000 | Seal | |
| 22 | MP29540 | Tool Assy | |
| 23 | MP103957 | Metallic Gear Box | |
| 24 | MP29726 | Bearing, Whisk Box Gear Shaft | |
| 25 | MP29981 | Description NA | |
| 26 | MP29727 | O-Ring Seal, Gear Box | |
| 27 | MP29726 | Bearing, Whisk Box Gear Shaft | |
| 28 | MP29728 | Ring "E" Gear Shaft | |
| 29 | MP29729 | Ball, Driven Shaft | |
| 30 | MP29730 | Wearing Ring, Driven Shaft | |
| 31 | MP29730 | Wearing Ring, Driven Shaft | |
| 32 | Number NA | Description NA | |
| 33 | MP29962 | Description NA | |
| 34 | MP29963 | (BA) Lower Body Gear Box | |
| 35 | MP29731 | Seal, Driven Shaft | |
| 36 | MP29732 | Screw 3x19 - Cap Whisk Box Assy | |
| 37 | MP29734 | Screw Cover, Whisk Box Assy | |
| 38 | MP102880 | * Whisk Assy Set of Two | |
| 39 | MP102740 | Release Collar | |
| 40 | MP102813 | Whisk Blade | |
| 41 | MP29543 | Safety Release Trigger | |
| 42 | MP29721 | Trigger Lever Arm | |
| 43 | MP29669 | Cap Safety Release | |
| 44 | MP29719 | Variable Speed Controller | |
| 45 | MP29547 | Right Handle/Motor Cover | |
| 46 | MP29718 | Trigger Seal Support | |
| 47 | MP29717 | Trigger Seal | |
| 48 | MP29723 | Circuit Board, Var. Speed | |
| 49 | MP102897 | Rack | |
| 50 | MP29720 | Trigger Return Spring | |
| 51 | MP29542 | Switch Lock | |
| 52 | MP29713 | (BA)Power Cord-Combi/VV | |
| 53 | MP29545 | Left Handle/Motor Cover | |
| 54 | MP29733 | Screw - Cap Screw Assy (MP600) | |
| 55 | MP29544 | Screw with Cap (Set of 4) | |
| 56 | MP29669 | Cap Safety Release | |
| 57 | MP203057 | Screw | |
| 58 | MP102437 | Louver | |
| 59 | MP29551 | Electrical Wiring | |
| 60 | MP102938 | Name Band (MP350COMBI) | |
| 61 | MP102958 | Motor Fan | |
| 62 | MP102728 | Shroud Extension | |
| 63 | MP503058 | Shroud | |

robot coupe®

MP350 Combi

| INDEX | REF. | DESIGNATION | Pricelist in : USD |
|--------------|-------------|------------------------|---------------------------|
| 64 | MP102741 | Self Rest | |
| 65 | MP503060 | Brush | |
| 66 | MP302022C | Motor Assembly (MP350) | |
| 67 | MP29507 | Bearing Kit | |
| 68 | MP29509 | Rotor Assy. | |
| 69 | MP406300 | Caution Label | |
| 70 | MP406301 | Caution Label | |
| 71 | MP102901 | Lower Motor Housing | |
| 72 | MP102816 | Driving Hub | |