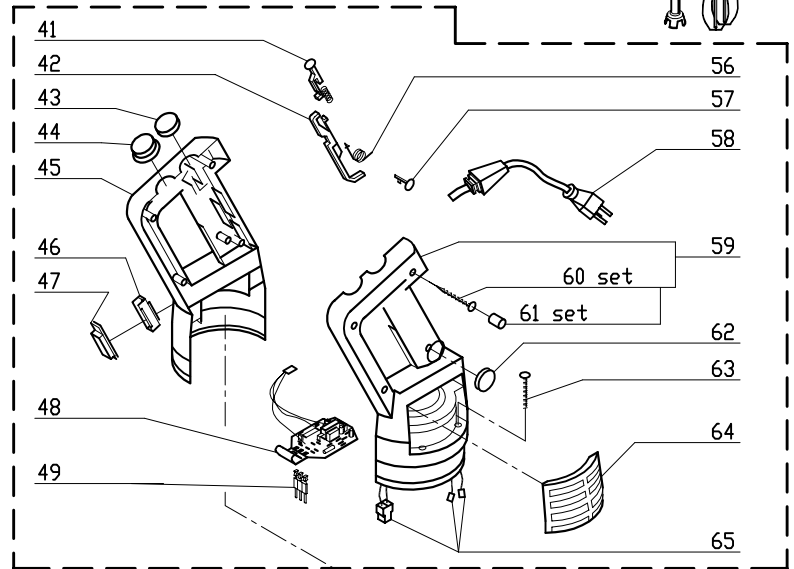
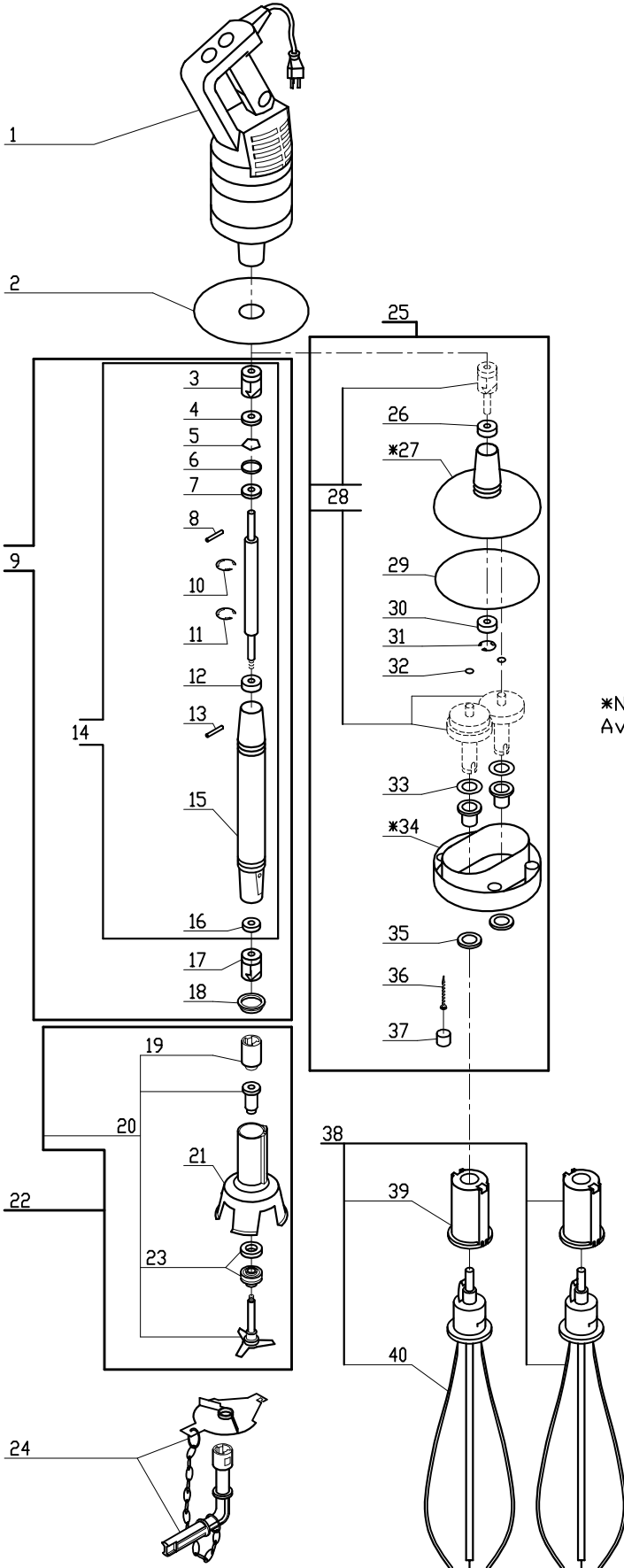
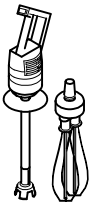


CMP300 Combi

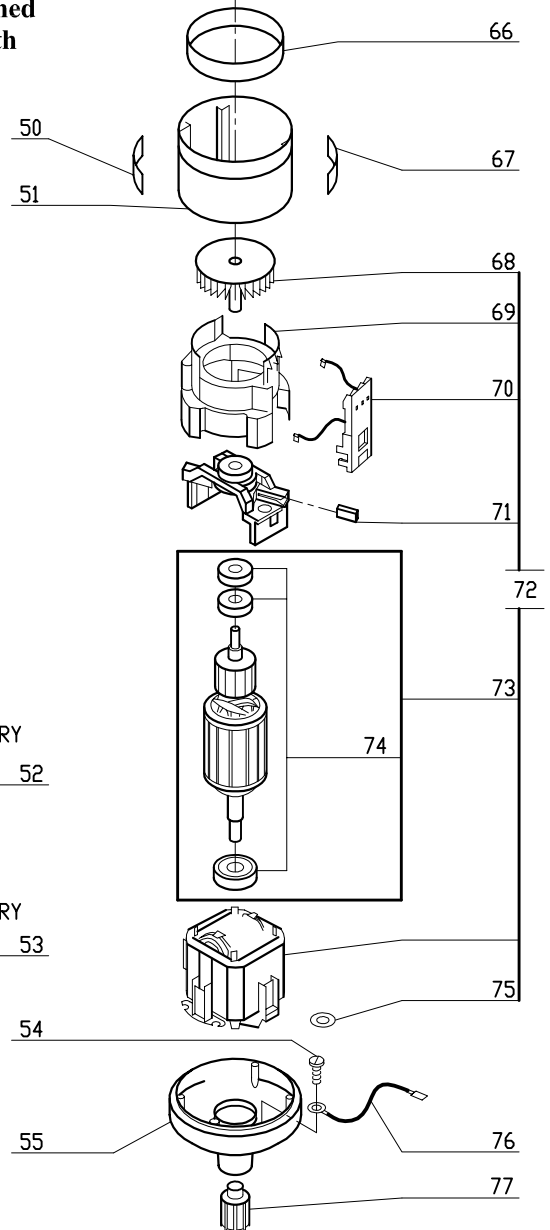
Variable Speed, 120 Volt, 1 Phase, 60Hz.,

Up to 7100 RPM, 380 Watts, 3.2 Amp



All parts within dashed lines are shipped with replacement screw caps.

*NLA (No Longer Available)



INDEX	REF.	DESIGNATION	Pricelist in : USD
1	CMP29803	Description Not available	
2	CMP103239	CMP Mixer Protection	
3	CMP103448	Description Not available	
4	MP102963	Top Bearing/Shaft	
5	MP203118	Elastic Ring	
6	MP507075	Seal	
7	MP507005	Bearing	
8	MP203080	Pin - Retainer Shaft	
9	CMP103453	Description Not available	
10	CMP203128	(BA) " E " Ring	
11	CMP203128	(BA) " E " Ring	
12	MP507005	Bearing	
13	MP203083	Pin - Retainer Enclosure	
14	CMP29812	Description Not available	
15	CMP103454	Description Not available	
16	MP507004	Seal	
17	MP102410	Lower Coupling	
18	MP102417	Seal, Shaft Enclosure	
19	MP102422	Upper Coupling	
20	CMP29676	Blade Assy	
21	CMP29677	Bell Cover Assy- Ring	
22	CMP29678	* Bell Cover Assy	
23	MP507000	Seal	
24	MP29540	Tool Assy	
25	CMP103544	Description Not available	
26	MP29726	Bearing, Whisk Box Gear Shaft	
27	NLA	No longer available	
28	CMP29801	Description Not available	
29	MP29727	O-Ring Seal, Gear Box	
30	MP29726	Bearing, Whisk Box Gear Shaft	
31	MP29728	Ring "E" Gear Shaft	
32	MP29729	Ball, Driven Shaft	
33	MP29730	Wearing Ring, Driven Shaft	
34	NLA	No longer available	
35	MP29731	Seal, Driven Shaft	
36	MP29732	Screw 3x19 - Cap Whisk Box Assy	
37	MP29734	Screw Cover, Whisk Box Assy	
38	CMP103545	Description Not available	
39	MP102740	Release Collar	
40	CMP103546	Description Not available	
41	CMP29946	Security Knob - Spring Assy	
42	CMP29947	Command Arm-Cap Screw Assy	
43	CMP29940	Cap Knob - Cap Screw Assy	
44	CMP29941	Variable Switch - Cap Screw Assy	
45	CMP29939	Right Handle	
46	CMP29943	Seal Ring - Cap Screw Assy	
47	CMP29944	Cap Arm - Cap Screw Assy	
48	CMP29752	(BA) Circuit Board	
49	CMP29945	Connector - Cap Screw Assy	
50	MP406301	Caution Label	
51	CMP103812	Motor Ferrule	
52	MP102897	Rack	
53	CMP103925	Mixipot	
54	MP200315	Description Not available	
55	CMP103438	Description Not available	
56	CMP29948	Adjusting Spring - Cap Screw Assy	
57	CMP29949	Lock Knob Assy - Spring	
58	CMP29758	Power Cord-Cap Screw Assy	
59	CMP29950	Left Handle	
60	CMP29951	Screw-Cap Assy	
61	CMP29952	Cap Assy	
62	CMP29940	Cap Knob - Cap Screw Assy	
63	CMP203127	Description Not available	

robot coupe®

CMP300 Combi

INDEX	REF.	DESIGNATION	Pricelist in : USD
64	CMP103811	Vent Cover	
65	CMP29954	Motor/Handle Ground Wiring	
66	CMP103442	Description Not available	
67	MP406300	Caution Label	
68	CMP103183	Ventilator	
69	CMP103125	Ventilator Pipe	
70	CMP29750	Description Not available	
71	CMP504106	Brush	
72	CMP29762	Motor	
73	CMP29760	Rotor For Motor	
74	CMP29679	Motor Bearing Assy	
75	CMP203125	Seal	
76	CMP507076	Motor/Casing Ground Wire	
77	CMP103439	Description Not available	