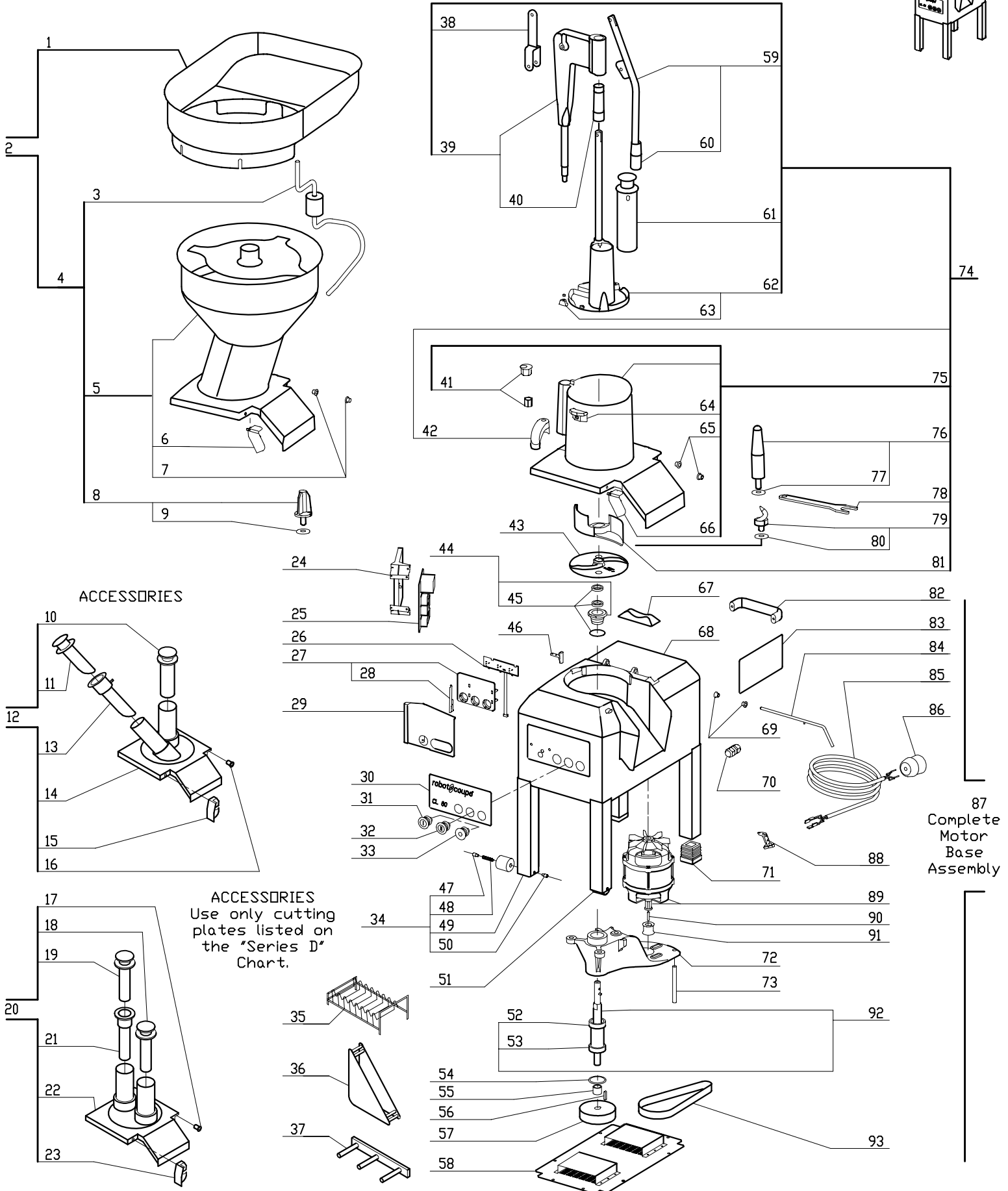
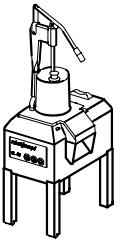


CL60 Pusher Series D

Series D Serial Numbers-1980111203U06 and up. 2- Speed,
220 Volt, 3 Phase, 60Hz.

Use Series-D Plates.





CL60 Pusher #2

INDEX	REF.	DESIGNATION	Pricelist in : USD
1	CL636A	* Large Tray (New Style)	
2	28108	*(Q) Bulk Feed (CL60D)	
3	CL646	Agitator Arm	
4	28151	* (Q) Bulk Feed W/O Tray	
5	29928	* (Q) Bulk Feed W/O Tray or Agitator	
6	29925	(Q) Lid Latch Assy, CL60D	
7	CL523	Hinge Pin Bushing	
8	CL641A	Plate Locking Nut	
9	R609A	Washer, Plastic	
10	Number NA	Description NA	
11	Number NA	Description NA	
12	28157	* (Q) Angle Feed Lead Assy (CL60D)	
13	Number NA	Description NA	
14	Number NA	Description NA	
15	29925	(Q) Lid Latch Assy, CL60D	
16	CL523	Hinge Pin Bushing	
17	CL523	Hinge Pin Bushing	
18	CL664	* 3" Pusher	
19	CL669	* Insert/Pusher Set 2"	
20	28156	* (Q) Straight Feed Lead Assy (CL60D)	
21	CL674	Insert Only 2"	
22	Number NA	Description NA	
23	29925	(Q) Lid Latch Assy, CL60D	
24	117809	(Q) Circuit Board Support, CL60D	
25	103800	(Q) Printed Circuit Board, CL60D	
26	117813	(Q) Switches Board, CL60D	
27	29533	(K)Mount Spacer for Control Board	
28	117703	(K)Control Board Retaining Pin	
29	118586	(Q) Control Board Support, CL60D	
30	407347	(Q) Front Data Plate, CL60D	
31	502170	(K)On Switch (Green)	
32	503268	(Q) Green Knob 2 Speed, CL60D	
33	502169	(K)Off Button (Red)	
34	29908	(Q) Wheel Assembly, CL60D	
35	R255	* Plate Rack	
36	R475	* Plate Rack (Individual)	
37	CL575	* Plate Rack (wall mount)	
38	103205	(M)Pusher Lever Yoke	
39	118335	(Q) Pusher Support Assy (CL60D)	
40	118331	(M)Pusher Slide Bushing	
41	29926	(Q) Plastic Bushing Assy, CL60D	
42	29705	(M)Magnet Safety Arm	
43	102690	(K)Discharge Plate	
44	29907	(Q) Sealing Socket Assy CL60D	
45	29906	(Q) Seal Assy CL60D	
46	29451	(K)Magnetic Switch Assy	
47	118566	(Q) Wheel Axle, CL60D	
48	118567	(Q) Wheel Spring, CL60D	
49	118565	(Q) Wheel, CL60D	
50	118566	(Q) Wheel Axle, CL60D	
51	29908	(Q) Wheel Assembly, CL60D	
52	R485	Top Bearing/Gould (R4X,S	
53	R485	Top Bearing/Gould (R4X,S	
54	CL618	Clip	
55	118584	(Q) Spacer H 22.5	
56	203157	(Q) Key 6x6x30, CL60D	
57	118585	(Q) Driven Pulley, CL60D	
58	103889	(Q) Bottom Plate, CL60D	
59	29710	(M)Pusher Lever	
60	509200	(Q) Plastic Handle, CL60D	
61	118397	(M)Small Pusher	
62	118333	(Q) Alum. Pusher, CL60D	
63	29706	(M)Pusher Stop Assy	



CL60 Pusher #2

INDEX	REF.	DESIGNATION	Pricelist in : USD
64	117321	(M)Pusher Guide Bushing	
65	CL523	Hinge Pin Bushing	
66	29925	(Q) Lid Latch Assy, CL60D	
67	39087	(Q) Rubber Lid Stop, CL60D	
68	29988	Description NA	
69	CL523	Hinge Pin Bushing	
70	39071	Description NA	
71	118527	(Q) Foot, CL60D	
72	118529	(Q) Mechanical Support	
73	203104	(Q) Supporting Screw, CL60D	
74	28104	* (Q) Whole Head Feed Pussher Assy(CL60D	
75	29929	(Q) Lead, CL60D	
76	CL640	Plate Locking Nut (long)	
77	R609A	Washer, Plastic	
78	118436	(M)Lock Nut Wrench	
79	29692	(M)Cabbage Plate Lock Nut	
80	R609A	Washer, Plastic	
81	118420	(Q) Discharge Vane CL60D	
82	R1084	Handle	
83	407295	(Q) Discs Plate, CL60D	
84	118582	(Q) Hinge Pin CL60D	
85	503328	Description NA	
86	507171	Description NA	
87	CL696D	(Q) Motor Base Assy	
88	29914	(Q) Lid Latch Safety Switch Assy, CL60D	
89	303106	(Q) Motor 220/60/3, CL60D	
90	203164	(Q) Key 6x6x25	
91	CL606	Motor Pulley	
92	29915	(Q) Shaft Assy, CL60D	
93	CL604	Belt	