

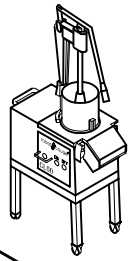
CL60 Pusher

Serial Numbers 06/xxxx & OG/xxxx

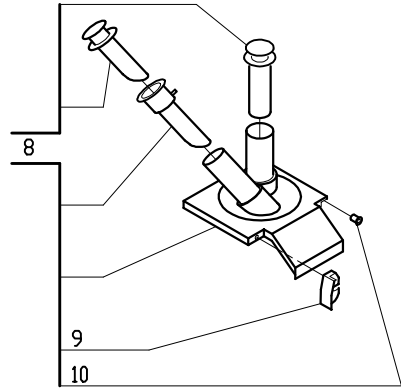
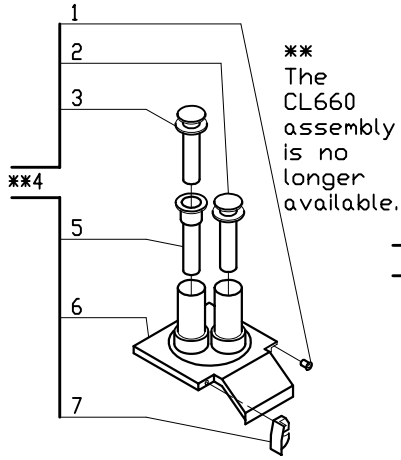
CL60 with Whole Head Feed Pusher Attachment (CL650) as standard.

2- Speed, 220 Volt, 3 Phase, 60Hz., 2 HP.

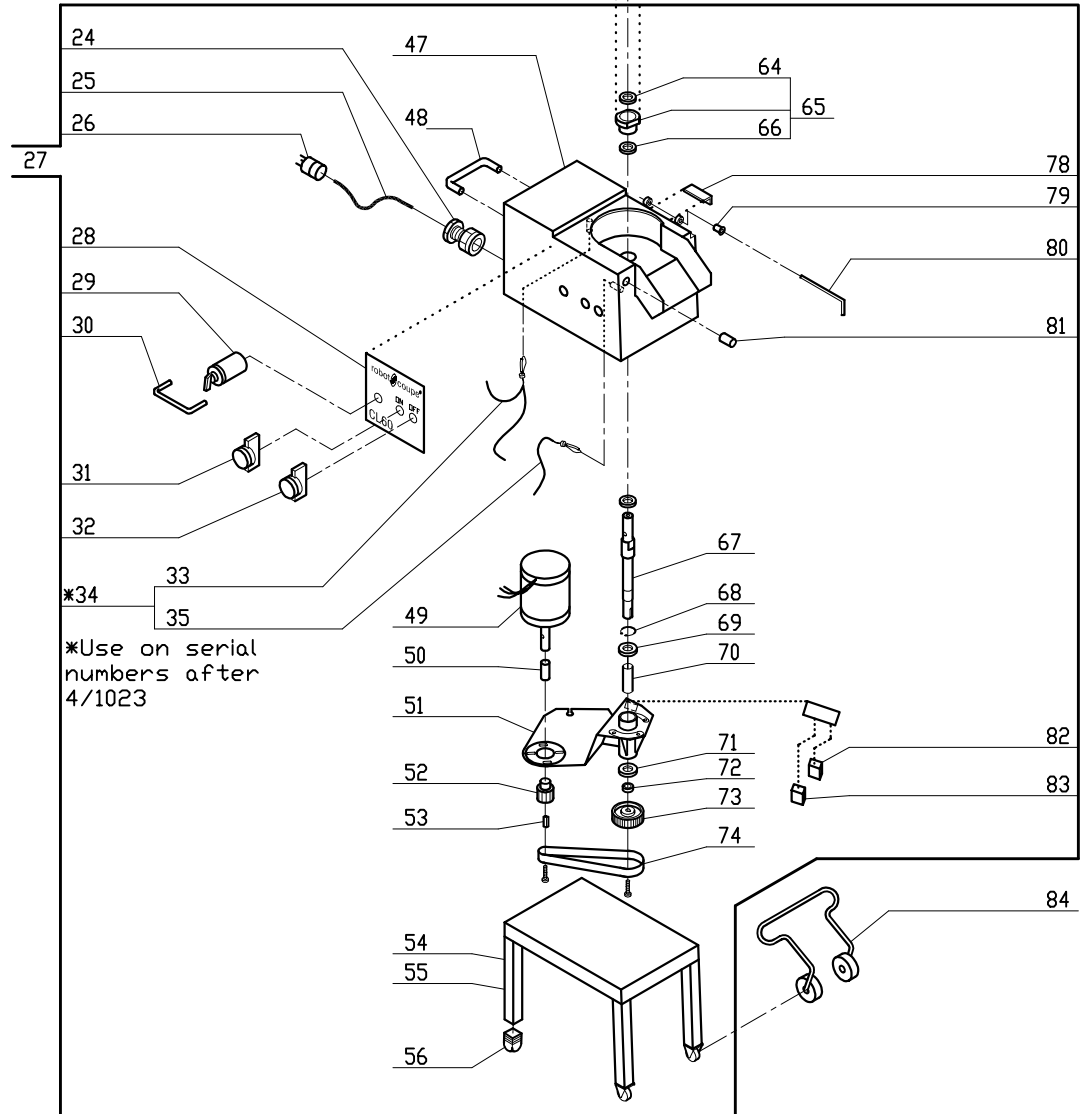
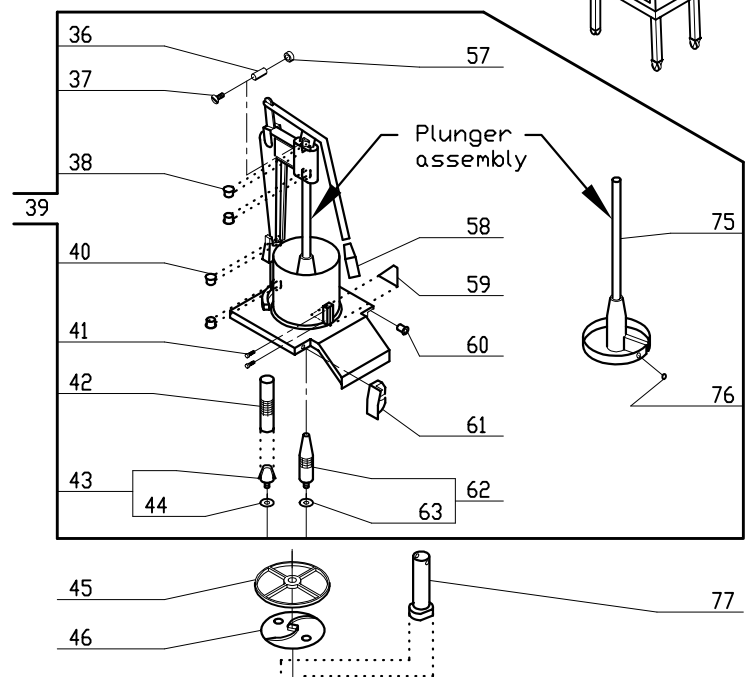
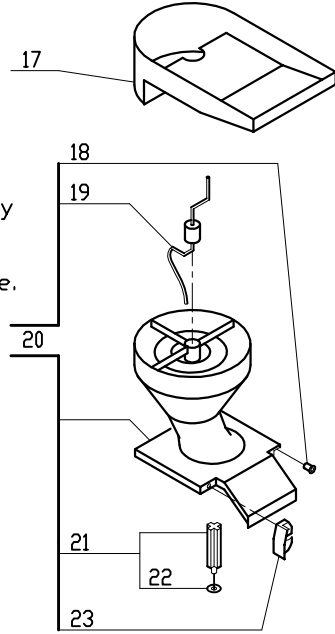
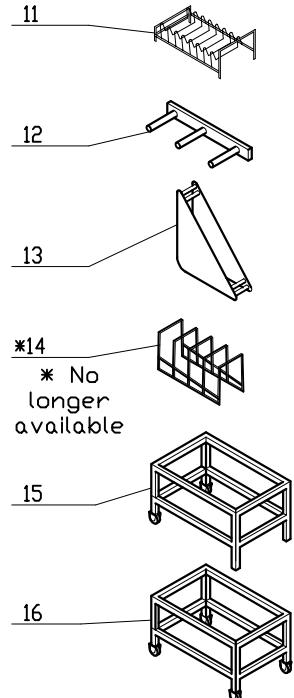
425-850 RPM, 3.5/4.2 Amps. Use C Designated Plates.



ACCESSORIES



ACCESSORIES



*Use on serial numbers after 4/1023

INDEX	REF.	DESIGNATION	Pricelist in : USD
1	CL523	Hinge Pin Bushing	
2	CL664	* 3" Pusher	
3	CL669	* Insert/Pusher Set 2"	
4	CL660	No Longer Available	
5	CL674	Insert Only 2"	
6	CL663	Description NA	
7	CL586A	Latch, upper & lower	
8	CL681	* Angle Feed Lead	
9	CL586A	Latch, upper & lower	
10	CL523	Hinge Pin Bushing	
11	R255	* Plate Rack	
12	CL575	* Plate Rack (wall mount)	
13	R475	* Plate Rack (Individual)	
14	R476	No Longer Available	
15	CL680A	*Cart, Food Box(2 Wheels)	
16	CL680	* Cart	
17	CL636A	* Large Tray (New Style)	
18	CL523	Hinge Pin Bushing	
19	CL646	Agitator Arm	
20	CL635A	* Bulk Feed (New Style) S.S.	
21	CL641A	Plate Locking Nut	
22	R609A	Washer, Plastic	
23	CL586A	Latch, upper & lower	
24	RA490	Strain Relief	
25	R403	Cord without Plug	
26	R4904	Plug 3 Phase	
27	CL696	CL60 Motor Base Assy	
28	CL613	Front Data Plate	
29	CL612	Switch w/Handle	
30	CL683	Guard, Selector Switch	
31	R3067U	On Push Button/Green	
32	R3062U	Off Push Button (Red)	
33	CL629	Reed Switch Assy	
34	CL629A	Reed Switch Assy	
35	CL629B	Magnetic Switch	
36	CL676	Nut	
37	CL679	Screw	
38	CL638	Bushing	
39	CL650	* Large Lead Assy.	
40	CL638	Bushing	
41	CL645	Screw, Knife	
42	CL682	Tool	
43	CL641	Plate Locking Nut (short	
44	R609A	Washer, Plastic	
45	CL628	* Dicing Grid Support	
46	CL572	Discharge Plate	
47	CL626	Housing	
48	R1084	Handle	
49	CL608	Motor	
50	CL622	Collar, FR. Mtr. Shaft	
51	CL617	Shaft/Motor Bracket	
52	CL606	Motor Pulley	
53	CL607	Key	
54	CL603A	Support Stand(21 1/2")W/2 Wheels	
55	CL603	(Stand 14")	
56	CL601	Foot	
57	CL677	Plastic Sleeve	
58	CL639	Handle Cover	
59	CL644	Knife, Large Lead Assy	
60	CL523	Hinge Pin Bushing	
61	CL586A	Latch, upper & lower	
62	CL640	Plate Locking Nut (long)	
63	R609A	Washer, Plastic	