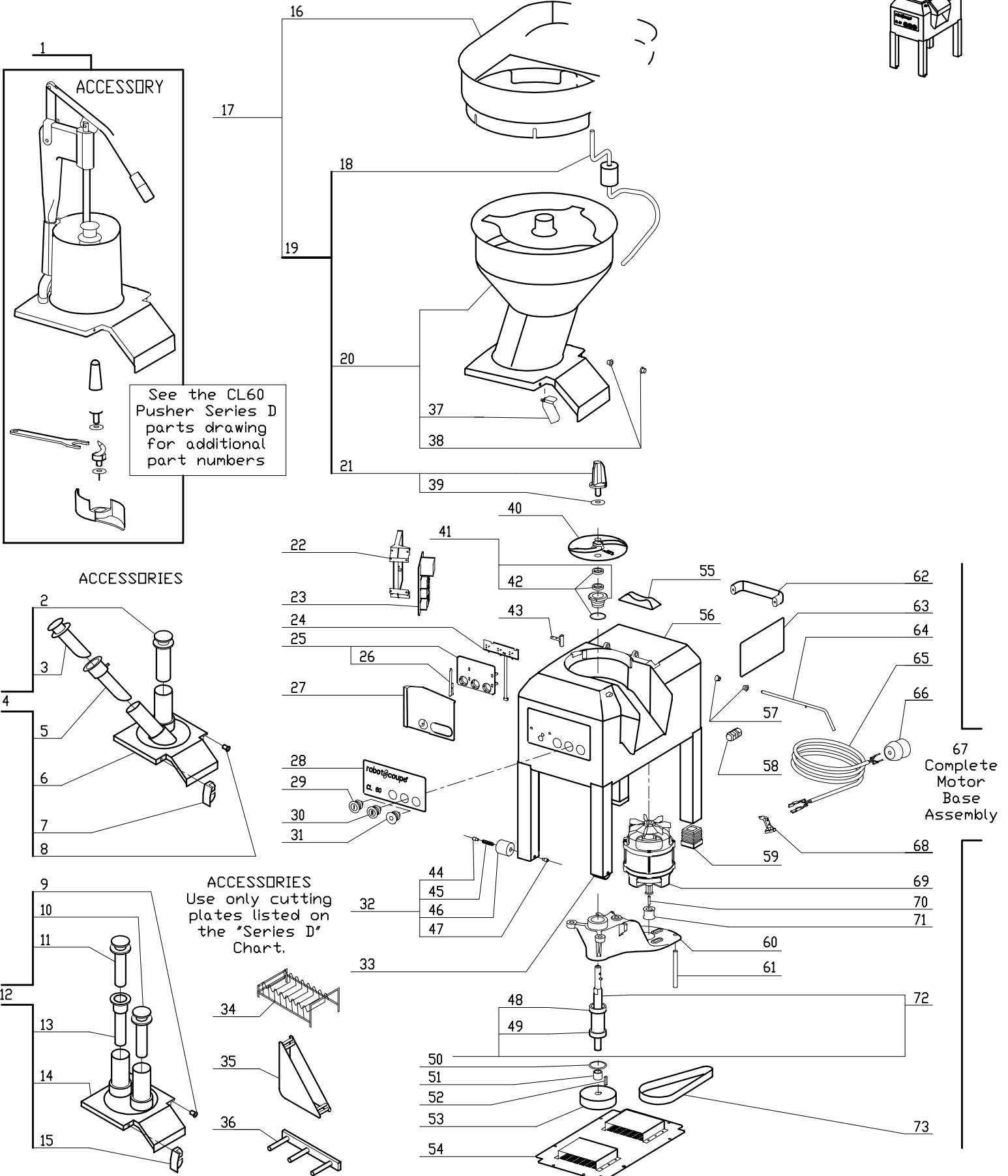


CL60 Bulk Series D

Series D Serial Numbers-1980111203U06 and up. 2- Speed,
220 Volt, 3 Phase, 60Hz.

Use Series-D Plates.





CL60 Bulk #2

INDEX	REF.	DESIGNATION	Pricelist in : USD
1	29925	(Q) Lid Latch Assy, CL60D	
2	Number NA	Description NA	
3	Number NA	Description NA	
4	28157	* (Q) Angle Feed Lead Assy (CL60D)	
5	Number NA	Description NA	
6	Number NA	Description NA	
7	29925	(Q) Lid Latch Assy, CL60D	
8	CL523	Hinge Pin Bushing	
9	CL523	Hinge Pin Bushing	
10	CL664	* 3" Pusher	
11	CL669	* Insert/Pusher Set 2"	
12	28156	* (Q) Straight Feed Lead Assy (CL60D)	
13	CL674	Insert Only 2"	
14	Number NA	Description NA	
15	29925	(Q) Lid Latch Assy, CL60D	
16	CL636A	* Large Tray (New Style)	
17	28108	* (Q) Bulk Feed (CL60D)	
18	CL646	Agitator Arm	
19	28151	* (Q) Bulk Feed W/O Tray	
20	29928	* (Q) Bulk Feed W/O Tray or Agitator	
21	CL641A	Plate Locking Nut	
22	117809	(Q) Circuit Board Support, CL60D	
23	103800	(Q) Printed Circuit Board, CL60D	
24	117813	(Q) Switches Board, CL60D	
25	29533	(K)Mount Spacer for Control Board	
26	117703	(K)Control Board Retaining Pin	
27	118586	(Q) Control Board Support, CL60D	
28	407347	(Q) Front Data Plate, CL60D	
29	502170	(K)On Switch (Green)	
30	503268	(Q) Green Knob 2 Speed, CL60D	
31	502169	(K)Off Button (Red)	
32	29908	(Q) Wheel Assembly, CL60D	
33	29908	(Q) Wheel Assembly, CL60D	
34	R255	* Plate Rack	
35	R475	* Plate Rack (Individual)	
36	CL575	* Plate Rack (wall mount)	
37	29925	(Q) Lid Latch Assy, CL60D	
38	CL523	Hinge Pin Bushing	
39	R609A	Washer, Plastic	
40	102690	(K)Discharge Plate	
41	29907	(Q) Sealing Socket Assy CL60D	
42	29906	(Q) Seal Assy CL60D	
43	29451	(K)Magnetic Switch Assy	
44	118566	(Q) Wheel Axle, CL60D	
45	118567	(Q) Wheel Spring, CL60D	
46	118565	(Q) Wheel, CL60D	
47	118566	(Q) Wheel Axle, CL60D	
48	R485	Top Bearing/Gould (R4X,S	
49	R485	Top Bearing/Gould (R4X,S	
50	CL618	Clip	
51	118584	(Q) Spacer H 22.5	
52	203157	(Q) Key 6x6x30, CL60D	
53	118585	(Q) Driven Pulley, CL60D	
54	103889	(Q) Bottom Plate, CL60D	
55	39087	(Q) Rubber Lid Stop, CL60D	
56	29988	Description NA	
57	CL523	Hinge Pin Bushing	
58	39071	Description NA	
59	118527	(Q) Foot, CL60D	
60	118529	(Q) Mechanical Support	
61	203104	(Q) Supporting Screw, CL60D	
62	R1084	Handle	
63	407295	(Q) Discs Plate, CL60D	



CL60 Bulk #2

INDEX	REF.	DESIGNATION	Pricelist in : USD
64	118582	(Q) Hinge Pin CL60D	
65	503328	Description NA	
66	507171	Description NA	
67	CL696D	(Q) Motor Base Assy	
68	29914	(Q) Lid Latch Safety Switch Assy, CL60D	
69	303106	(Q) Motor 220/60/3, CL60D	
70	203164	(Q) Key 6x6x25	
71	CL606	Motor Pulley	
72	29915	(Q) Shaft Assy, CL60D	
73	CL604	Belt	