

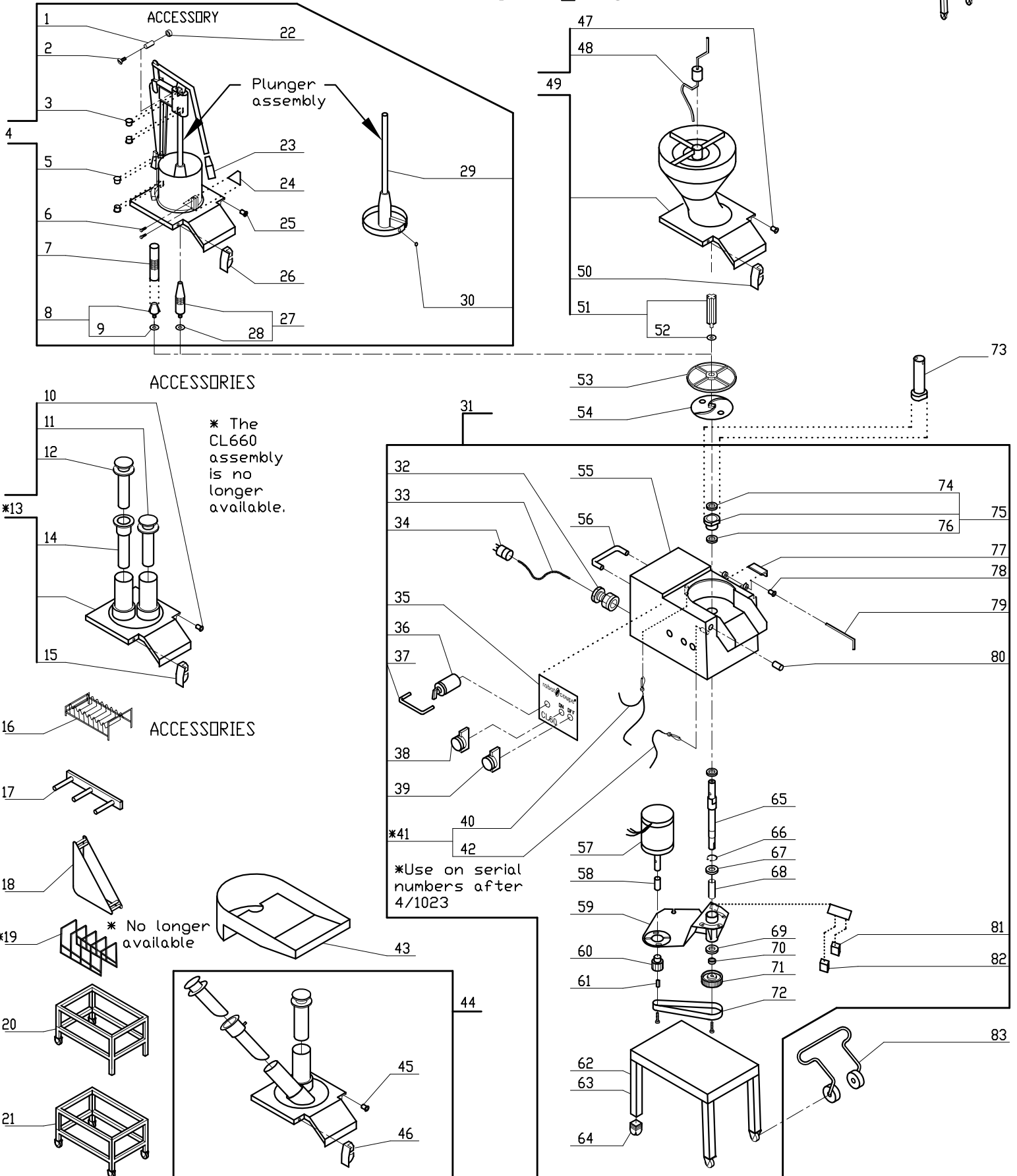
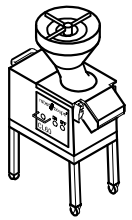
CL60 Bulk

Serial Numbers 06/xxxx & OG/xxxx

CL60 with Bulk Feed Attachment (CL635A) as standard.

2-Speed, 220 Volt, 3 Phase, 60Hz., 2 HP.

425-850 RPM, 3.5/4.2 Amps. Use C Designated Plates.





CL60 Bulk #1

INDEX	REF.	DESIGNATION	Pricelist in : USD
1	CL676	Nut	
2	CL679	Screw	
3	CL638	Bushing	
4	CL650	* Large Lead Assy.	
5	CL638	Bushing	
6	CL645	Screw, Knife	
7	CL682	Tool	
8	CL641	Plate Locking Nut (short	
9	R609A	Washer, Plastic	
10	CL523	Hinge Pin Bushing	
11	CL664	* 3" Pusher	
12	CL669	* Insert/Pusher Set 2"	
13	CL660	No Longer Available	
14	CL674	Insert Only 2"	
15	CL586A	Latch, upper & lower	
16	R255	* Plate Rack	
17	CL575	* Plate Rack (wall mount)	
18	R475	* Plate Rack (Individual)	
19	R476	No Longer Available	
20	CL680A	*Cart, Food Box(2 Wheels)	
21	CL680	* Cart	
22	CL677	Plastic Sleeve	
23	CL639	Handle Cover	
24	CL644	Knife, Large Lead Assy	
25	CL523	Hinge Pin Bushing	
26	CL586A	Latch, upper & lower	
27	CL640	Plate Locking Nut (long)	
28	R609A	Washer, Plastic	
29	CL648	Description NA	
30	CL5549	Wear Buttons	
31	CL696	CL60 Motor Base Assy	
32	RA490	Strain Relief	
33	R403	Cord without Plug	
34	R4904	Plug 3 Phase	
35	CL613	Front Data Plate	
36	CL612	Switch w/Handle	
37	CL683	Guard, Selector Switch	
38	R3067U	On Push Button/Green	
39	R3062U	Off Push Button (Red)	
40	CL629	Reed Switch Assy	
41	CL629A	Reed Switch Assy	
42	CL629B	Magnetic Switch	
43	CL636A	* Large Tray (New Style)	
44	CL681	* Angle Feed Lead	
45	CL523	Hinge Pin Bushing	
46	CL586A	Latch, upper & lower	
47	CL523	Hinge Pin Bushing	
48	CL646	Agitator Arm	
49	CL635A	* Bulk Feed (New Style) S.S.	
50	CL586A	Latch, upper & lower	
51	CL641A	Plate Locking Nut	
52	R609A	Washer, Plastic	
53	CL628	* Dicing Grid Support	
54	CL572	Discharge Plate	
55	CL626	Housing	
56	R1084	Handle	
57	CL608	Motor	
58	CL622	Collar, FR. Mtr. Shaft	
59	CL617	Shaft/Motor Bracket	
60	CL606	Motor Pulley	
61	CL607	Key	
62	CL603A	Support Stand(21 1/2")W/2 Wheels	
63	CL603	(Stand 14")	

INDEX	REF.	DESIGNATION	Pricelist in : USD
64	CL601	Foot	
65	CL623	Shaft	
66	CL618	Clip	
67	R485	Top Bearing/Gould (R4X,S	
68	CL621	Bearing, Collar	
69	R485	Top Bearing/Gould (R4X,S	
70	CL619	Locking Collar	
71	CL605	Driven Pulley	
72	CL604	Belt	
73	CL689	Tool, Seal Removal	
74	R611	Motor Support Seal	
75	CL684	Seal Assembly	
76	R611	Motor Support Seal	
77	CL686	Lid Stop	
78	CL523	Hinge Pin Bushing	
79	CL520	Hinge Pin	
80	CL573	Stud Bolt, Latch	
81	R413	Voltage Relay	
82	R1090	Control Relay, Run(DPST)	
83	CL602	Wheel Assembly	