

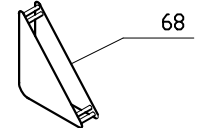
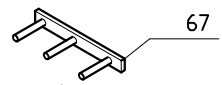
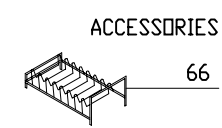
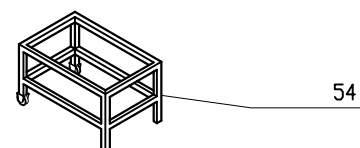
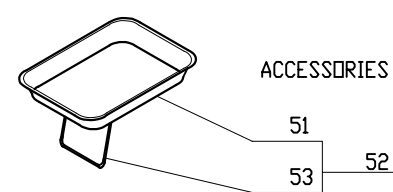
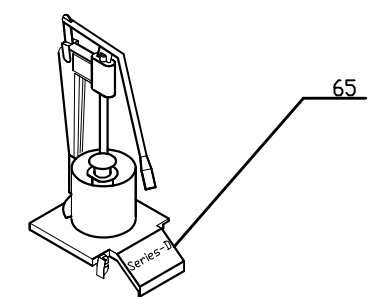
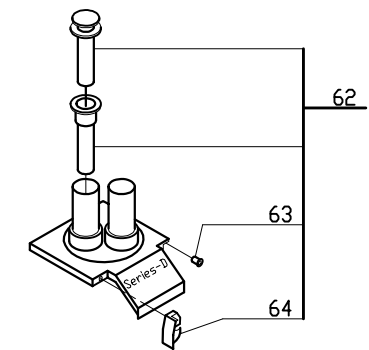
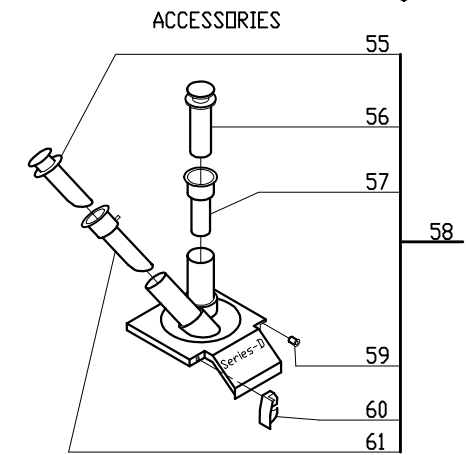
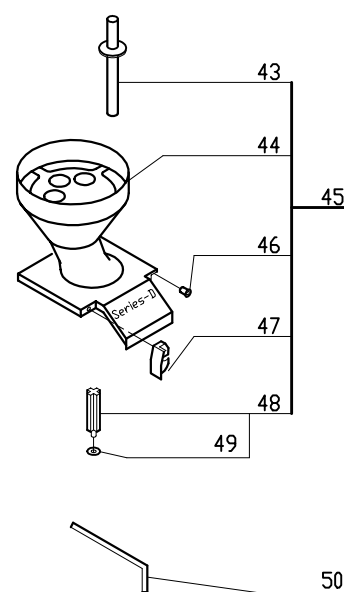
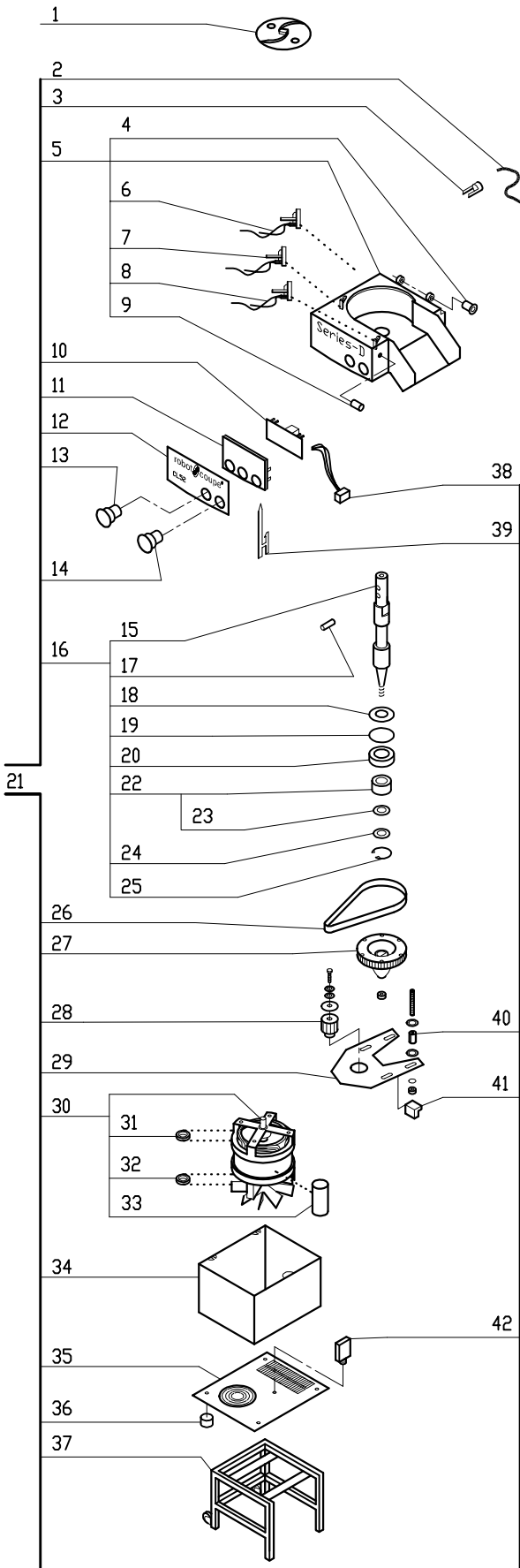
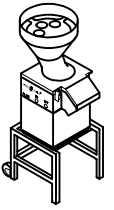
CL55 Bulk Series D

CL55 with Bulk Feed Attachment (CL5535) as standard.

Series D Machines # 1950111303T-01 and up

1- Speed, 120 Volt, 1 Phase, 60Hz., 1 HP., 425 RPM, 12 Amps

Use Series-D Plates.



Use only cutting plates listed on the "Series D" Chart.

INDEX	REF.	DESIGNATION	Pricelist in : USD
1	102690	(K)Discharge Plate	
2	R240	Cord with Plug	
3	507122	(M)Cord Strain Relief	
4	CL523	Hinge Pin Bushing	
5	29628	(M)Upper Housing W/Chute	
6	29451	(K)Magnetic Switch Assy	
7	29451	(K)Magnetic Switch Assy	
8	29451	(K)Magnetic Switch Assy	
9	CL573	Stud Bolt, Latch	
10	102480	(K)Control Board	
11	29533	(K)Mount Spacer for Control Board	
12	406517	(M)Front Data Plate	
13	502170	(K)On Switch (Green)	
14	502169	(K)Off Button (Red)	
15	118380	(M)Shaft Only	
16	29693	(M)Drive Shaft Assy	
17	CL592	Shaft Pin	
18	203107	(K)Seal Protector	
19	504219	(K) O Ring 42x2, CL50D	
20	507063	(K)Bearing/Upper	
21	24379	Description NA	
22	29630	(K)Bearing Assy, Lower	
23	203109	(K)Thrust Bushing	
24	203132	(K)Washer	
25	203108	(K)Bushing	
26	C411N	Belt	
27	117682	(K)Shaft Pulley,75 Teeth	
28	29532	(M)Motor Pulley-20 Teeth	
29	117689	(K)Motor Support Plate	
30	303081	(M)Motor Assy	
31	R237	6203 Bearing R2 Top/Btm	
32	R237	6203 Bearing R2 Top/Btm	
33	501599	(L) Capacitor	
34	117791	(M)S.S. Base Cover	
35	117687	(L)Bottom Cover	
36	R402F	Foot (French)	
37	CL5580	Stand	
38	29599	(K)Control Wire Connector	
39	117703	(K)Control Board Retaining Pin	
40	117692	(K)Support Plate Brace	
41	506176	(M)Capacitor Relay	
42	RB497	15amp Breaker (CSA)	
43	CL5535.2	Pusher	
44	29593	*(M)Bulk Feed Lead	
45	CL5535	* Bulk Feed Attachment	
46	CL523	Hinge Pin Bushing	
47	29066	(K)Feed Lead Latch W/Magnet	
48	CL641A	Plate Locking Nut	
49	R609A	Washer, Plastic	
50	CL520	Hinge Pin	
51	117631	(M)Catch Pan Tray Only	
52	27154	*(M)Catch Pan Assy	
53	117629	(M)Catch Pan Support Leg	
54	CL680A	*Cart, Food Box(2 Wheels)	
55	CL5546.1	Description NA	
56	CL5546.3	Description NA	
57	CL5546.4	Description NA	
58	28045	Description NA	
59	CL523	Hinge Pin Bushing	
60	CL586A	Latch, upper & lower	
61	CL5546.2	Description NA	
62	28046	Description NA	
63	CL523	Hinge Pin Bushing	



CL55 Bulk #2

INDEX	REF.	DESIGNATION	Pricelist in : USD
64	CL586A	Latch, upper & lower	
65	28103	* (M) Whole Head Feed Pusher Assy	
66	R255	* Plate Rack	
67	CL575	* Plate Rack (wall mount)	
68	R475	* Plate Rack (Individual)	