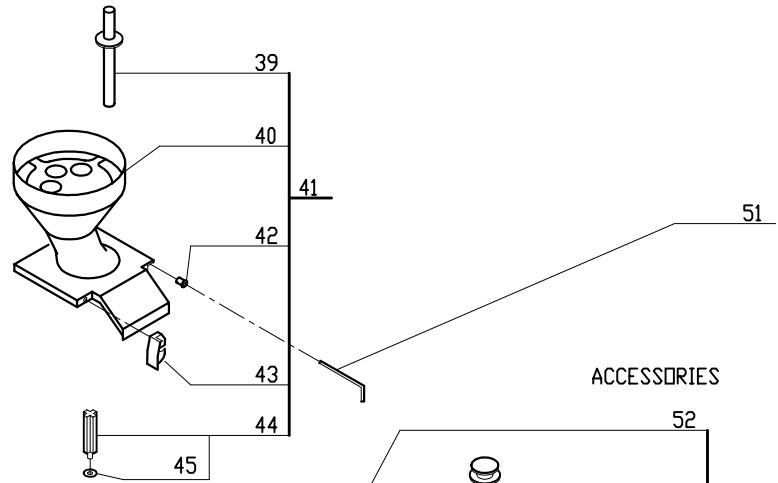
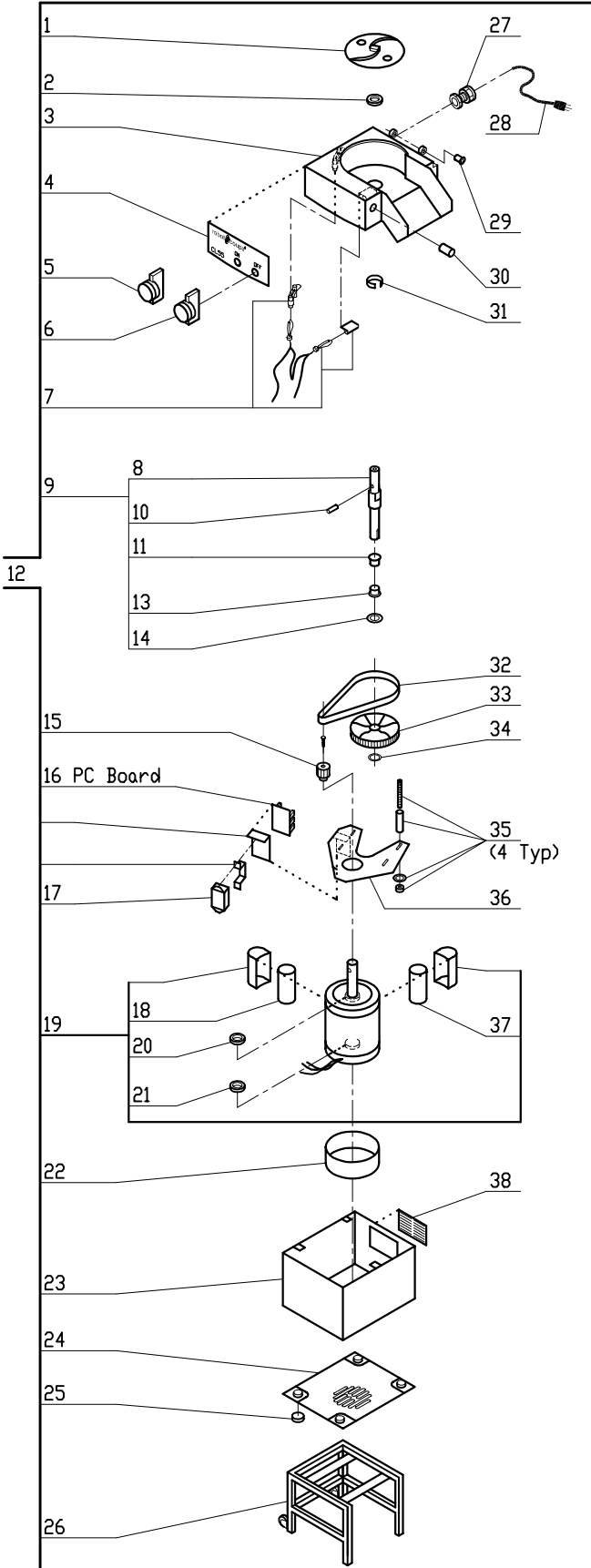


CL55 with Bulk Feed Attachment (CL5535) as standard.

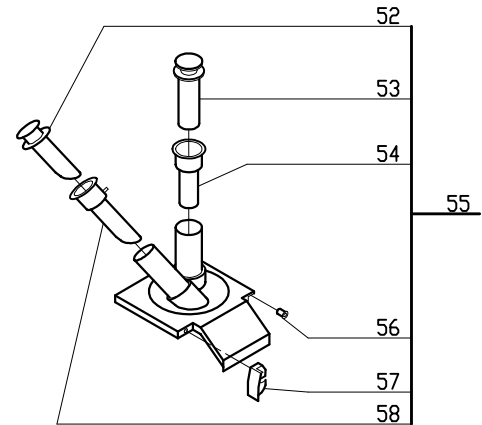
Machines with Serial Numbers 83/142 and below

1- Speed, 120 Volt, 1 Phase, 60Hz., 3/4 HP.

425 RPM, 12 Amps. Use C Designated Plates.

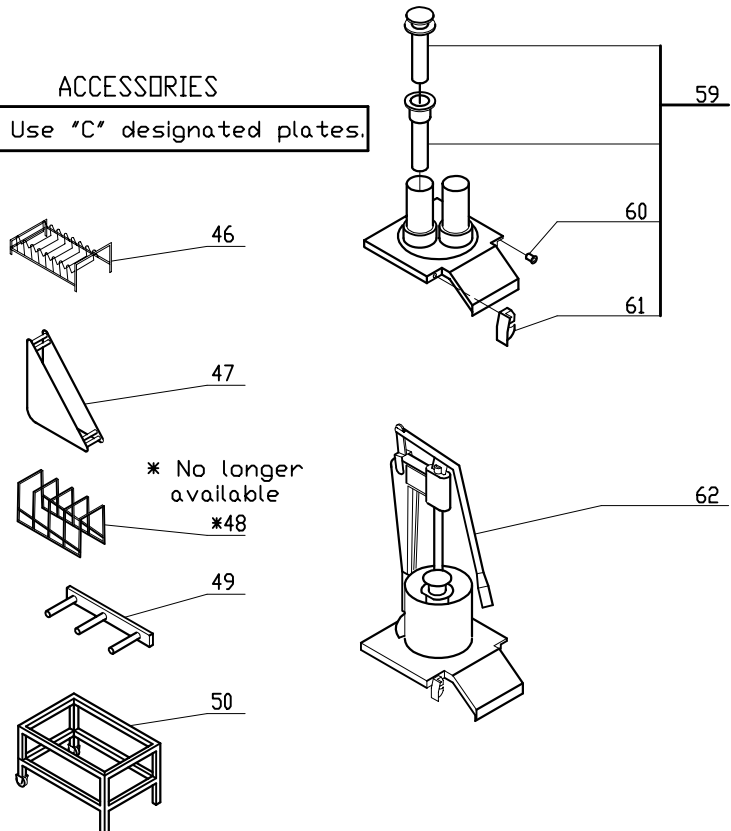


ACCESSORIES



ACCESSORIES

NOTE: Use "C" designated plates.



INDEX	REF.	DESIGNATION	Pricelist in : USD
1	CL572	Discharge Plate	
2	R611	Motor Support Seal	
3	CL5542	Motor Support/Chute	
4	CL5511	Data Plate CL55	
5	R3067U	On Push Button/Green	
6	R3062U	Off Push Button (Red)	
7	CL5508	Magnetic Switch Assy.	
8	CL5539	Transmission Shaft	
9	CL5536	Shaft Assy.	
10	CL592	Shaft Pin	
11	C415N	Bushing	
12	CL5590	Motor Base Assy	
13	C415N	Bushing	
14	C4916	Washer,Notched	
15	CL5533	Small Pulley	
16	CL5532	PC Board	
17	CL5547	Switch/Relay	
18	CL5530.1	Run Capacitor 30MF 370VAC	
19	CL5530A	Motor (Magnetek)	
20	R237	6203 Bearing R2 Top/Btm	
21	R237	6203 Bearing R2 Top/Btm	
22	CL5551	Description NA	
23	CL5529	Cover, Base	
24	CL5502	Bottom Plate	
25	R402F	Foot (French)	
26	CL5580	Stand	
27	RA490	Strain Relief	
28	R496	Cord W/Plug (R4X,S,P,Y)	
29	CL523	Hinge Pin Bushing	
30	CL573	Stud Bolt, Latch	
31	C4915	Felt Ring	
32	C411N	Belt	
33	C412MN	Large Pulley (Mlt New)	
34	C4917	Snap Ring	
35	CL5506	Extension Bolt	
36	CL5504	Motor Support	
37	R222	Capacitor F/C Mtr (R2N)	
38	CL501.1	Louvre	
39	CL5535.2	Pusher	
40	29593	*(M)Bulk Feed Lead	
41	CL5535	* Bulk Feed Attachment	
42	CL523	Hinge Pin Bushing	
43	CL586A	Latch, upper & lower	
44	CL641A	Plate Locking Nut	
45	R609A	Washer, Plastic	
46	R255	* Plate Rack	
47	R475	* Plate Rack (Individual)	
48	R476	No Longer Available	
49	CL575	* Plate Rack (wall mount)	
50	CL680A	*Cart, Food Box(2 Wheels)	
51	CL520	Hinge Pin	
52	CL5546.1	Description NA	
53	CL5546.3	Description NA	
54	CL5546.4	Description NA	
55	CL5546	**DELETED** SAME AS CL587	
56	CL523	Hinge Pin Bushing	
57	CL586A	Latch, upper & lower	
58	CL5546.2	Description NA	
59	CL5545	Small Lead Assy	
60	CL523	Hinge Pin Bushing	
61	CL586A	Latch, upper & lower	
62	CL5514	Large Lead Assy	